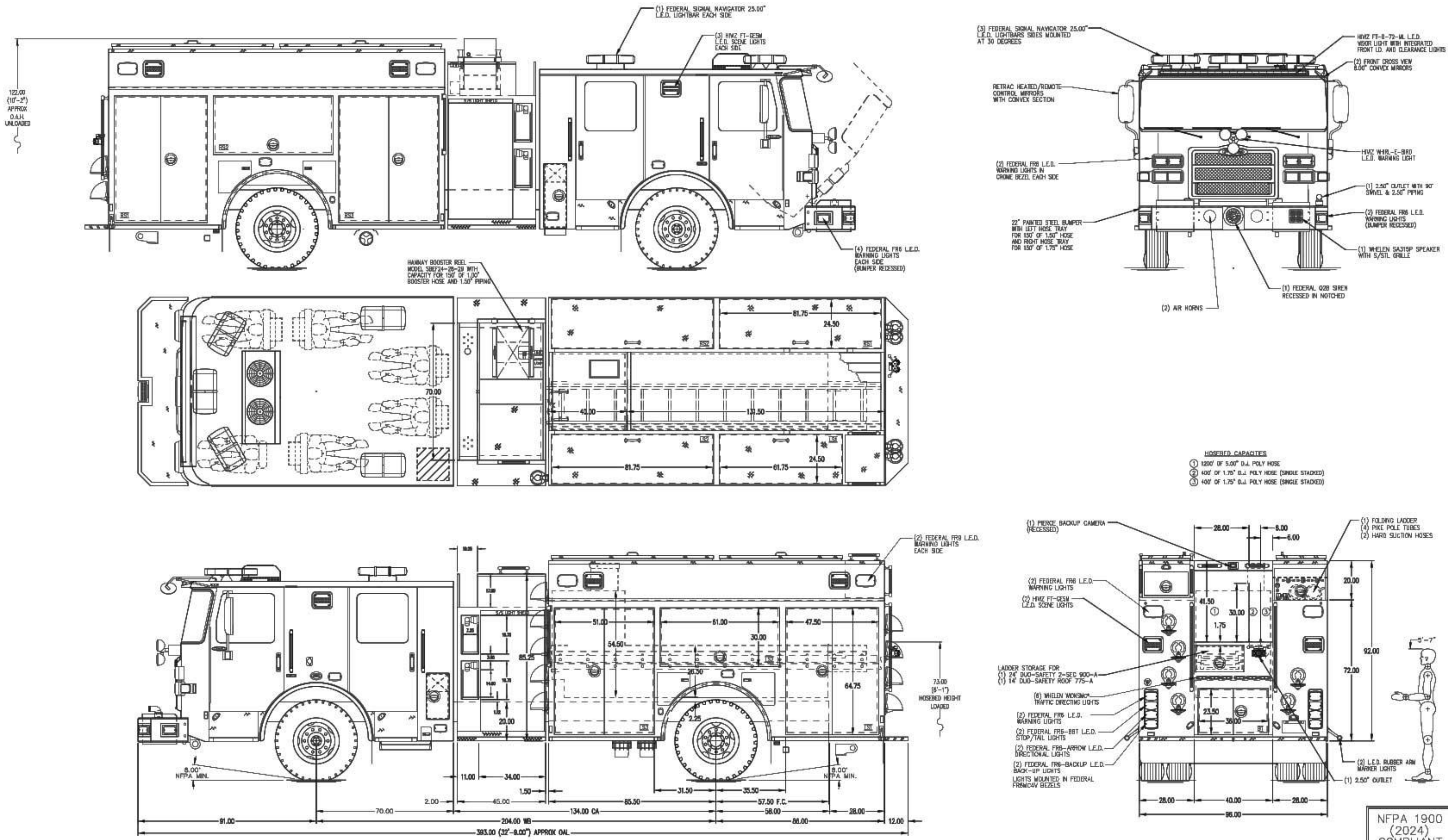


# Pitcairn Hose Company No.1 - Allegheny County, PA

## Pierce® Enforcer™ Pumper



NFPA 1900 (2024) COMPLIANT



**THANK YOU AND CONGRATULATIONS!**  
**Sam Gates, Account Manager**

