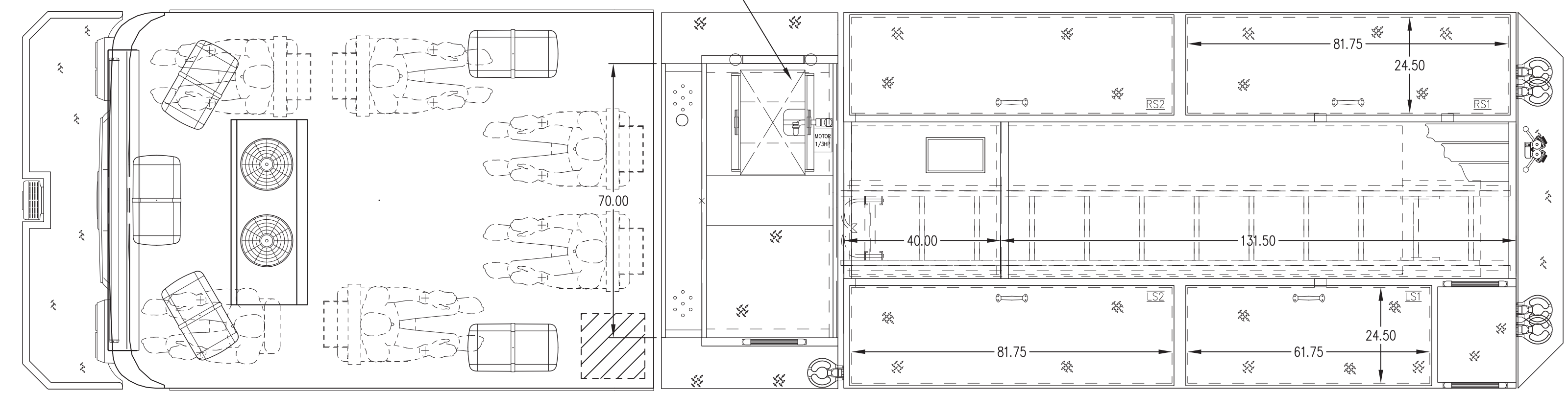
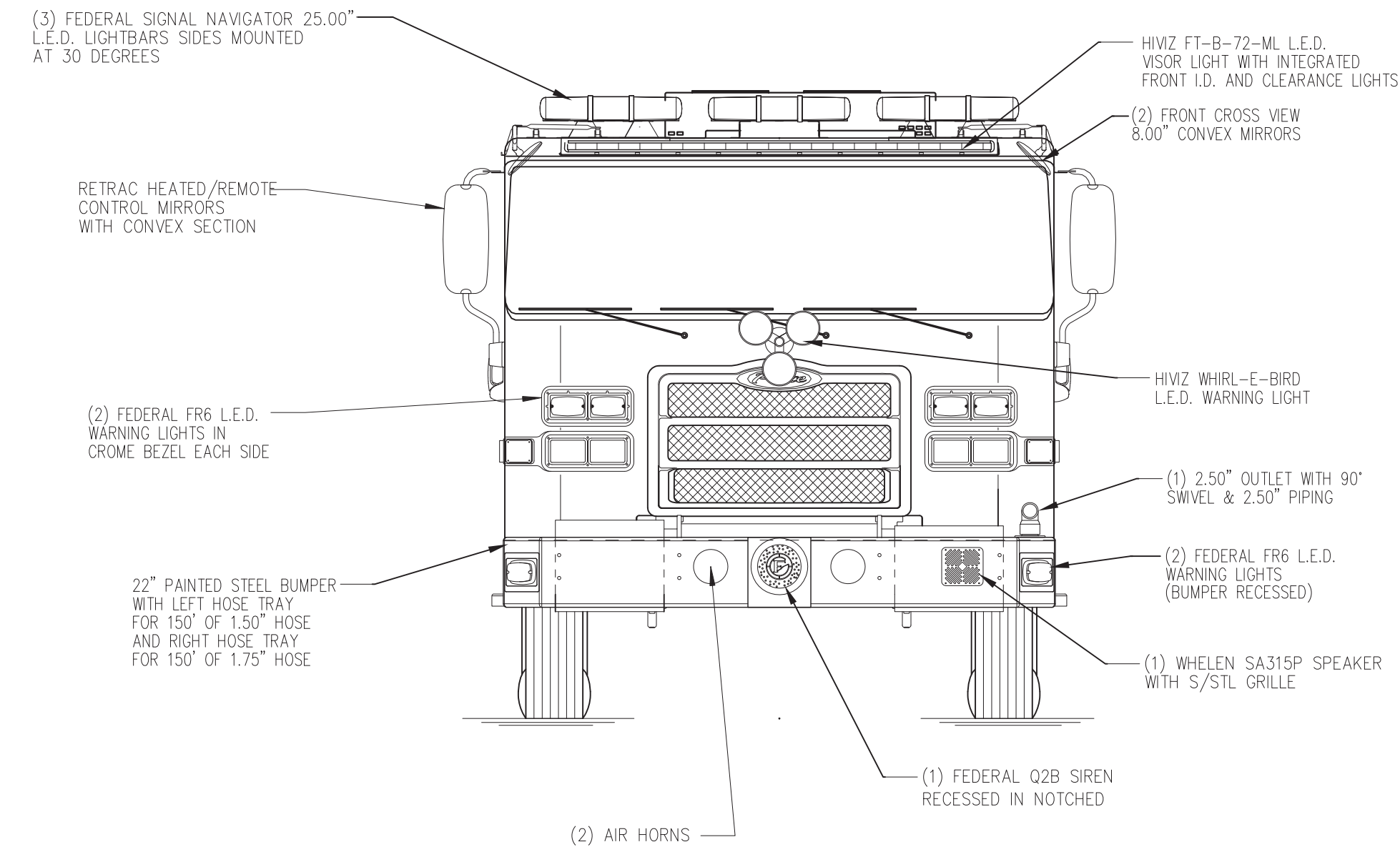
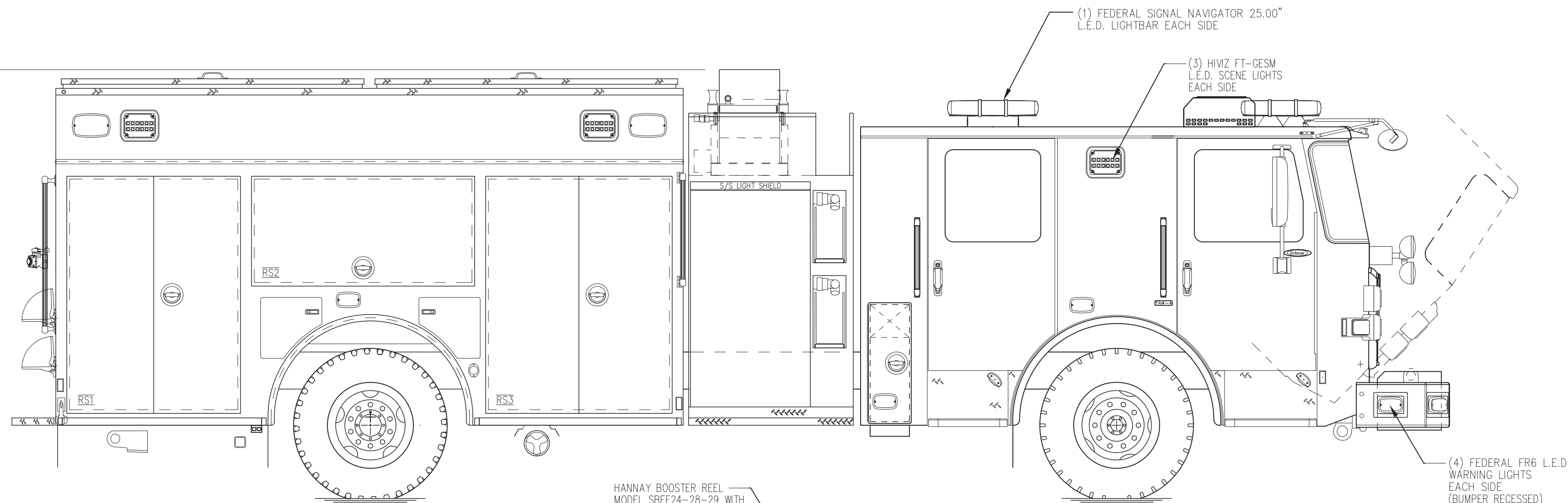
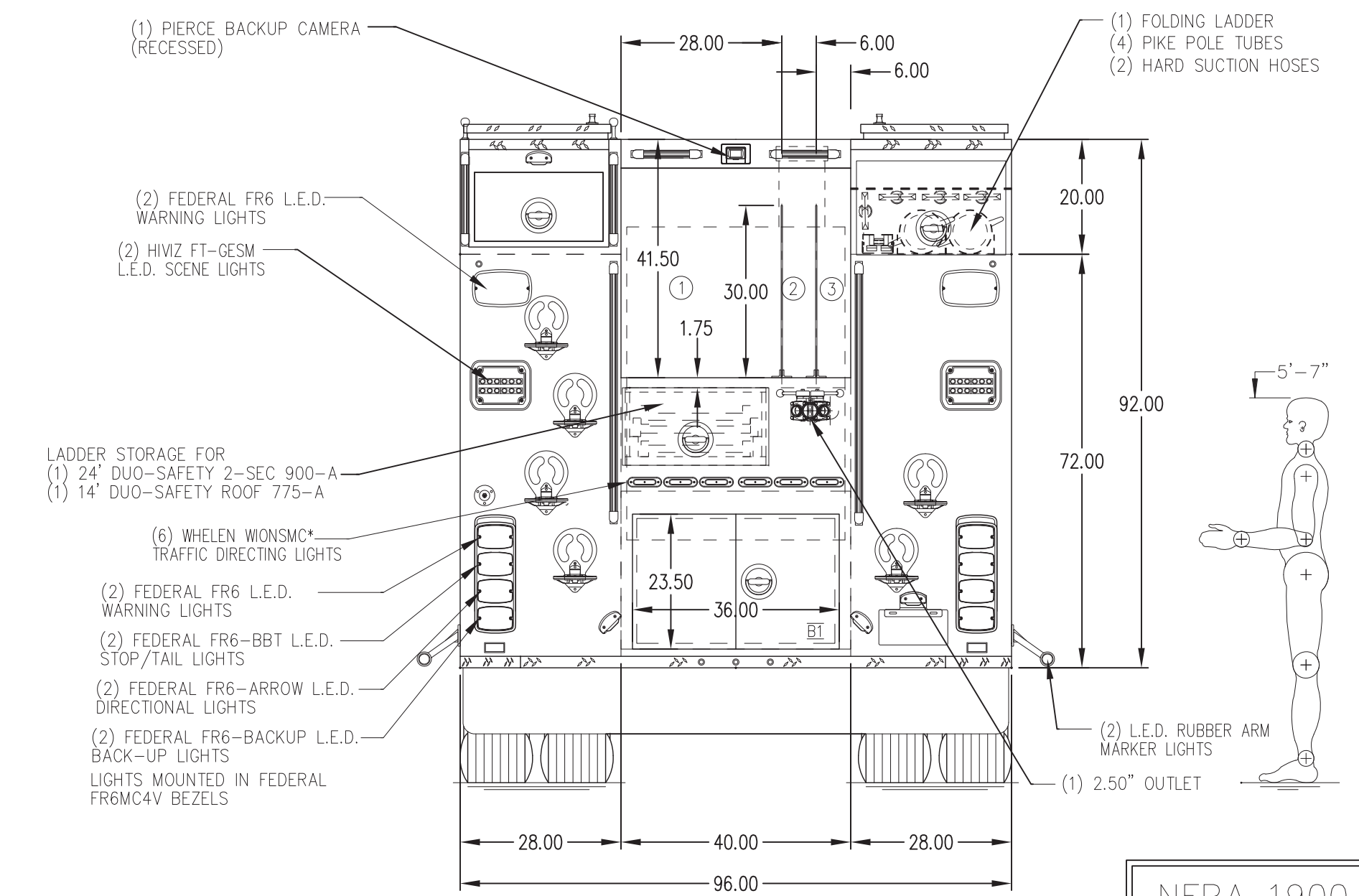
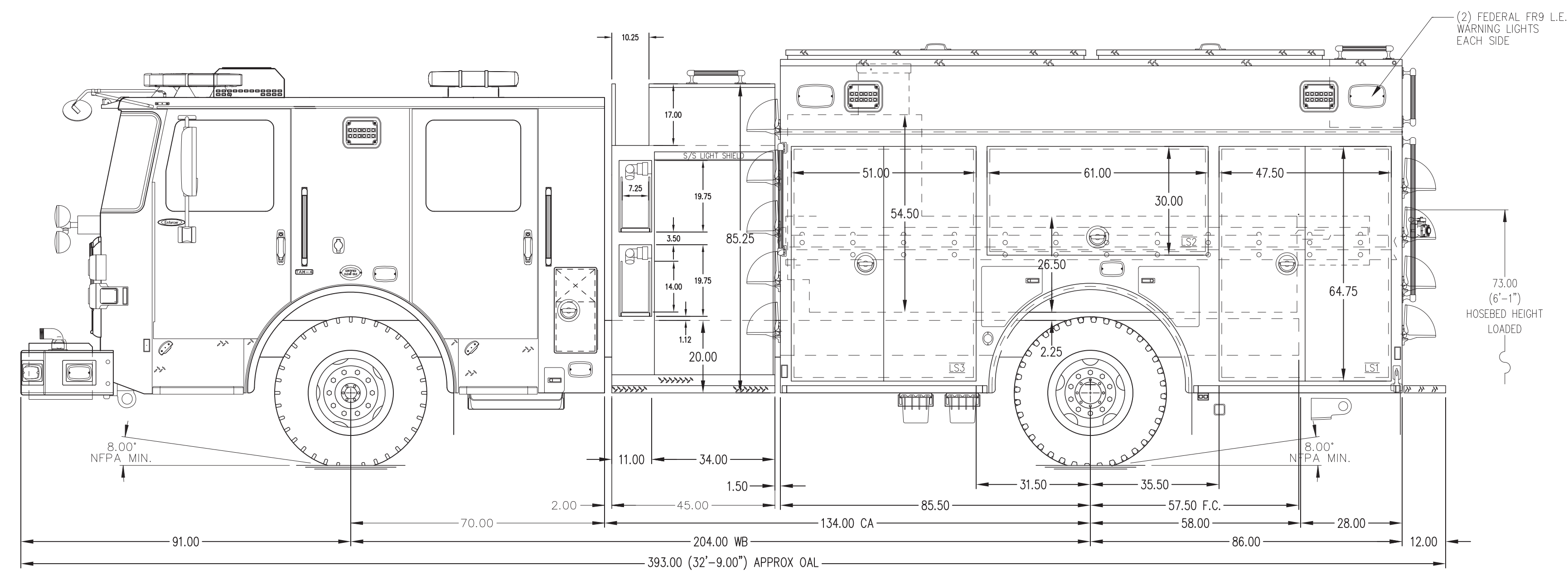


122.00
(10'-2")
APPROX
O.A.H.
UNLOADED



- HOSEBED CAPACITIES
- ① 1200' OF 5.00" D.J. POLY HOSE
 - ② 400' OF 1.75" D.J. POLY HOSE (SINGLE STACKED)
 - ③ 400' OF 1.75" D.J. POLY HOSE (SINGLE STACKED)



NFPA 1900
(2024)
COMPLIANT

ALUMINUM BODY

NOTE
DIMENSIONS SHOWN ARE APPROXIMATE AND ARE SUBJECT TO MINOR DEVIATIONS AS MAY OCCUR OR BE NECESSARY IN CONSTRUCTION. MINOR DETAILS NOT SHOWN.

- 1. ONE 1.50 OUTLET WITH 2.00 PIPING AND SWIVEL LOCATED IN CENTER BUMPER TRAY
- 2. SHORELINE RECEPTACLE WITH KUSSMAUL SUPER AUTO-EJECT LOCATED ON DRIVER SIDE OF THE CAB
- 3. BATTERY CHARGER LOCATED PER ORDER
- 4. BATTERY CHARGE INDICATOR LOCATED ON DRIVER SEAT RISER

REV	DATE	BY	CH	ENFORCER
▽	28APR26	KRG	-	MAKE
▽	26MAR26	KRG	-	PIERCE
▽	16MAR26	KRG	-	MODEL

		PROPOSAL	1030
		SCALE	DATE
TITLE	1500 GPM, 500 GALLON WATER TANK 171" 2G PUMPER, HARD WIRED	DRAWN BY	KRG
FOR	PITCAIRN HOSE COMPANY #1 PITCAIRN, PENNSYLVANIA	CHECKED BY	N/A
DWG NO.	PRELIMINARY PRINT ONLY	SHEET SIZE	D
		SHEET NO.	1 OF 1