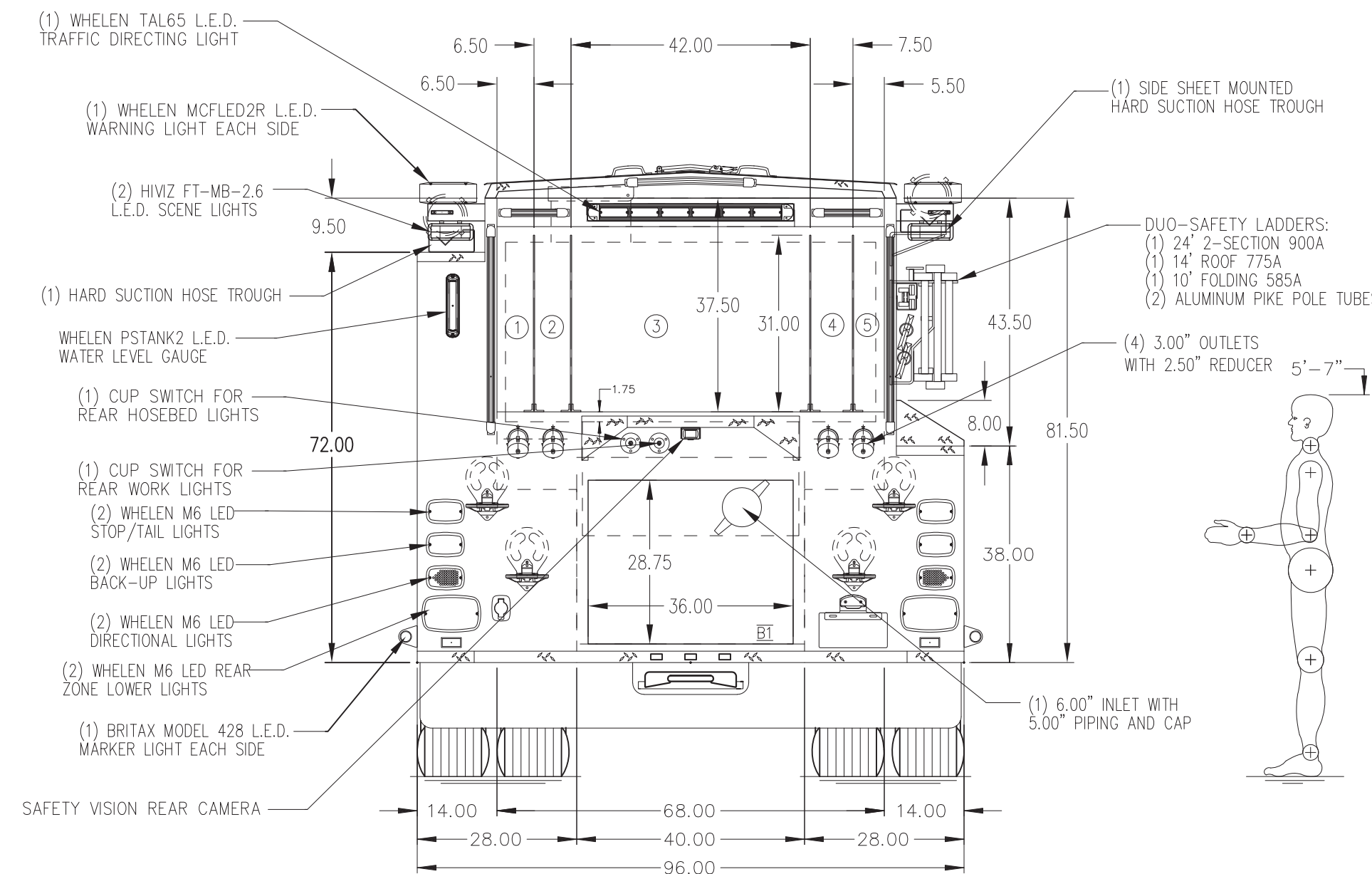
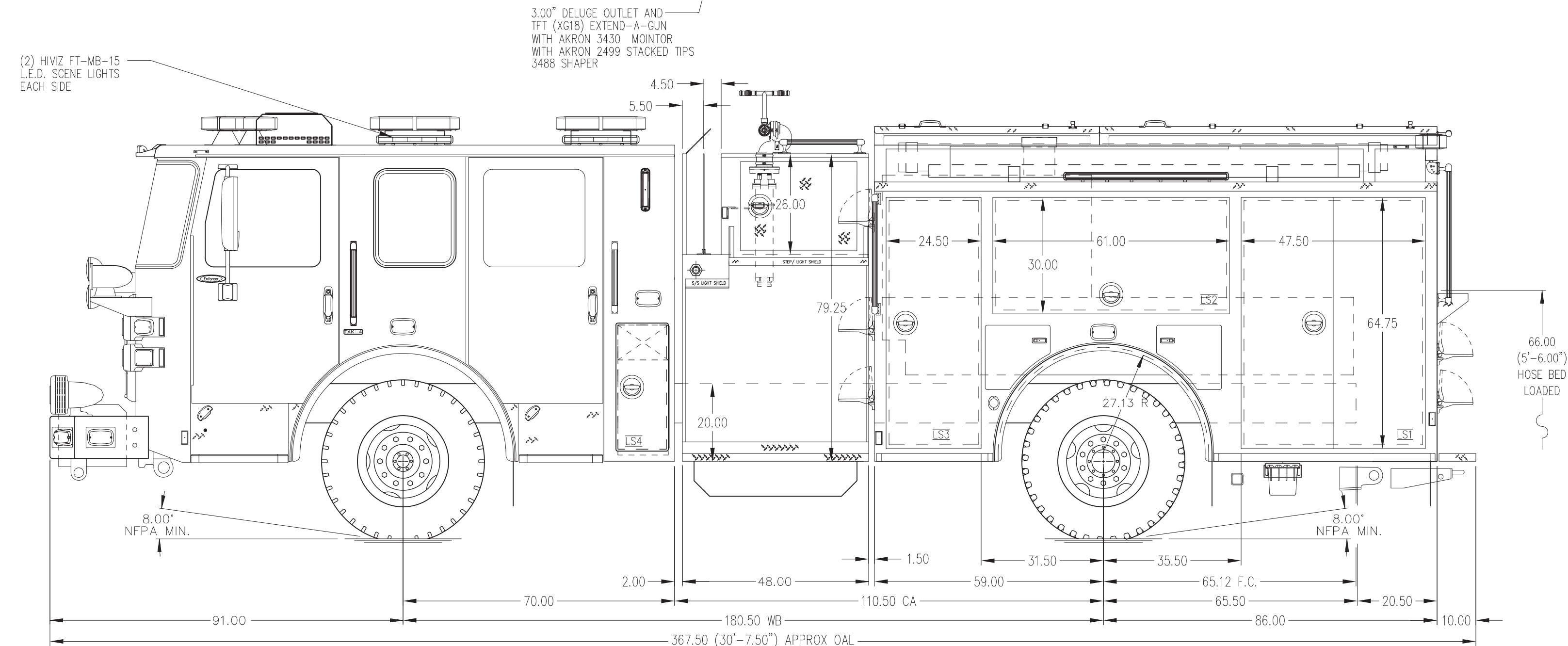


- HOSERED CAPACITIES**
- ① 200' OF 3.00\"/>



ALUMINUM BODY

SIDE ROLL AND FRONTAL IMPACT PROTECTION

NOTE
DIMENSIONS SHOWN ARE APPROXIMATE AND ARE SUBJECT TO MINOR DEVIATIONS AS MAY OCCUR OR BE NECESSARY IN CONSTRUCTION. MINOR DETAILS NOT SHOWN.

- 1. SHORELINE RECEPTACLE WITH KUSSMAUL SUPER AUTO-EJECT LOCATED ON DRIVER SIDE REAR BULKHEAD
- 2. AIR INLET WITH DISCONNECT COUPLING IN THE DRIVER SIDE STEPWELL

REV	DATE	BY	CH	ENFORCER
19MAY25	KRG	-	-	CHASSIS DATA
26NOV24	KRG	-	-	MAKE
29OCT24	KRG	-	-	PIERCE
25APR24	KRG	-	-	MODEL
02FEB24	KRG	-	-	ENFORCER

	MANUFACTURING INC.		PROPOSAL	853
			SCALE	DATE
TITLE 2000-D-750 GAL POLY, 145" PUMPER BODY (2) CROSSLAYS, LADDERS ON PS		DRAWN BY		KRG
		FOR		WESTERN BERKS FIRE DEPARTMENT WERNERSVILLE, PA
DWG NO. PRELIMINARY PRINT ONLY		CHECKED BY		N/A
		SHEET SIZE		D
		SHEET NO.		1 OF 1