

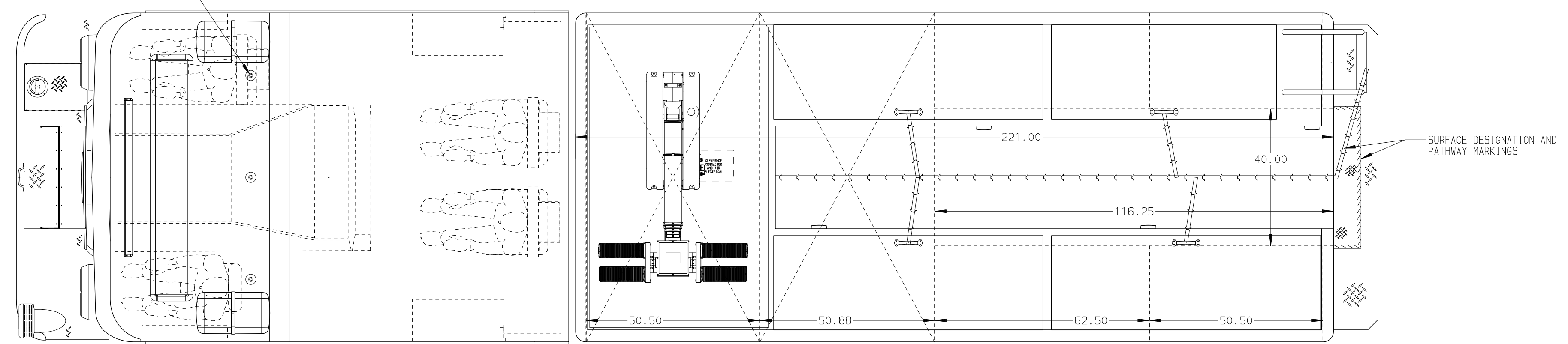
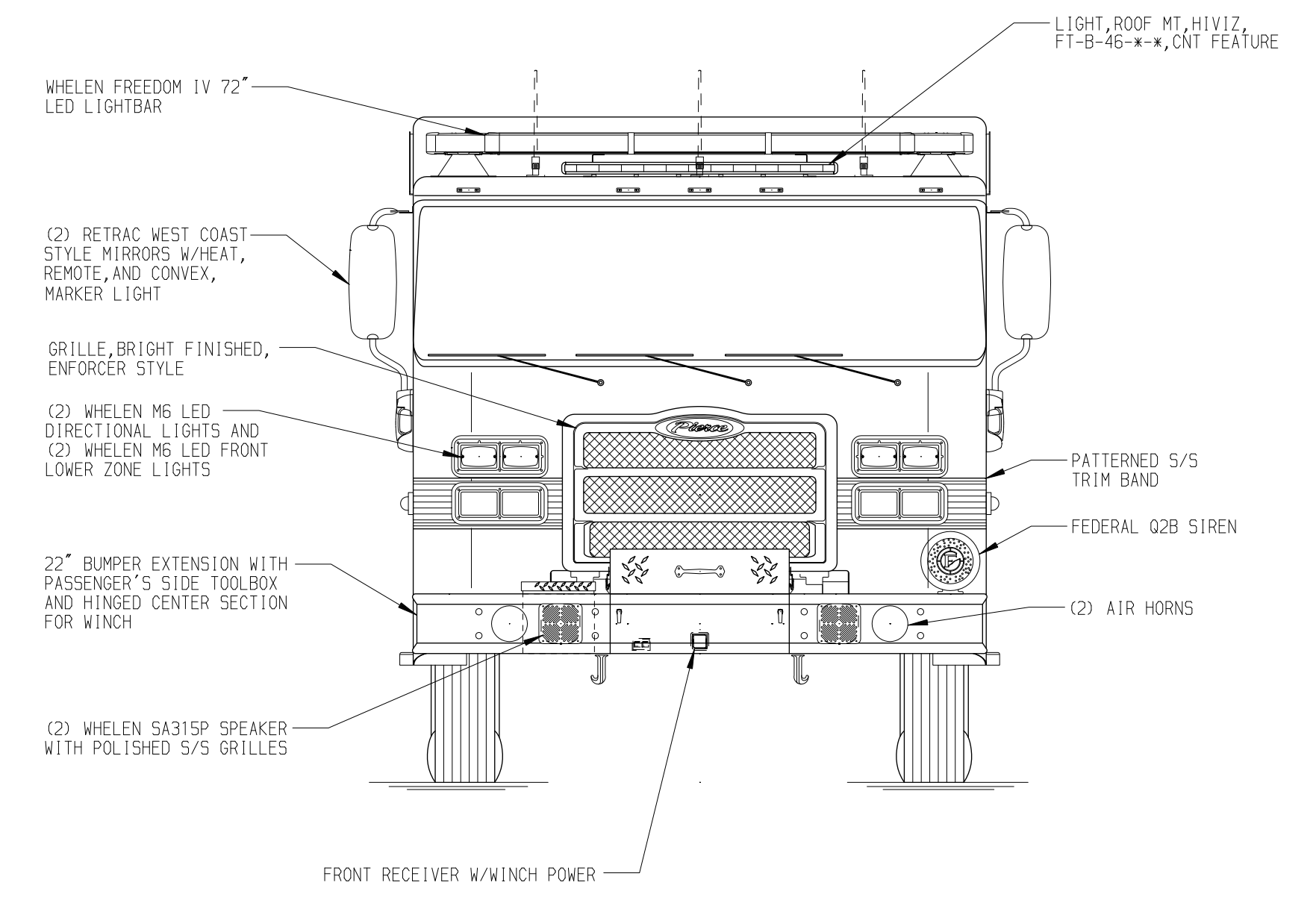
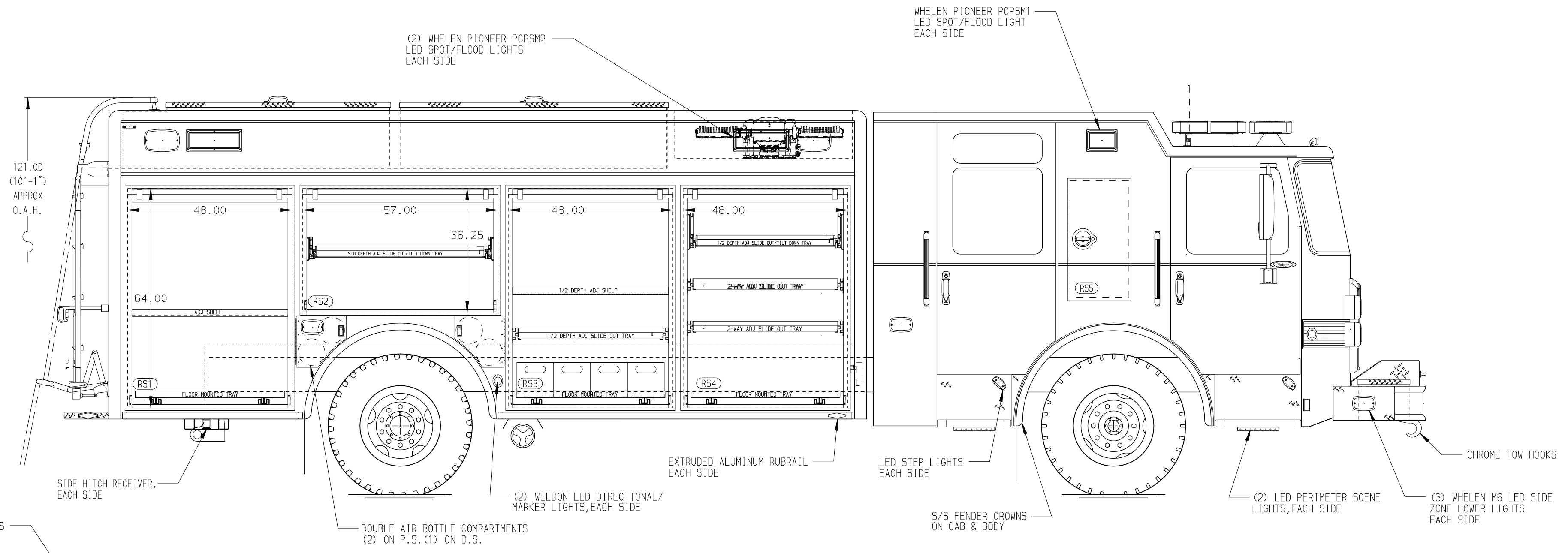
PASSENGER'S SIDE COMPARTMENTS CONTAIN THE FOLLOWING:

COMPARTMENT RS1 CONTAINS:
 - (1) FLOOR MOUNTED TRAY
 - (1) STD DEPTH ADJ SHELF

COMPARTMENT RS2 CONTAINS:
 - (1) STD DEPTH ADJ SLIDE OUT/TILT TRAY

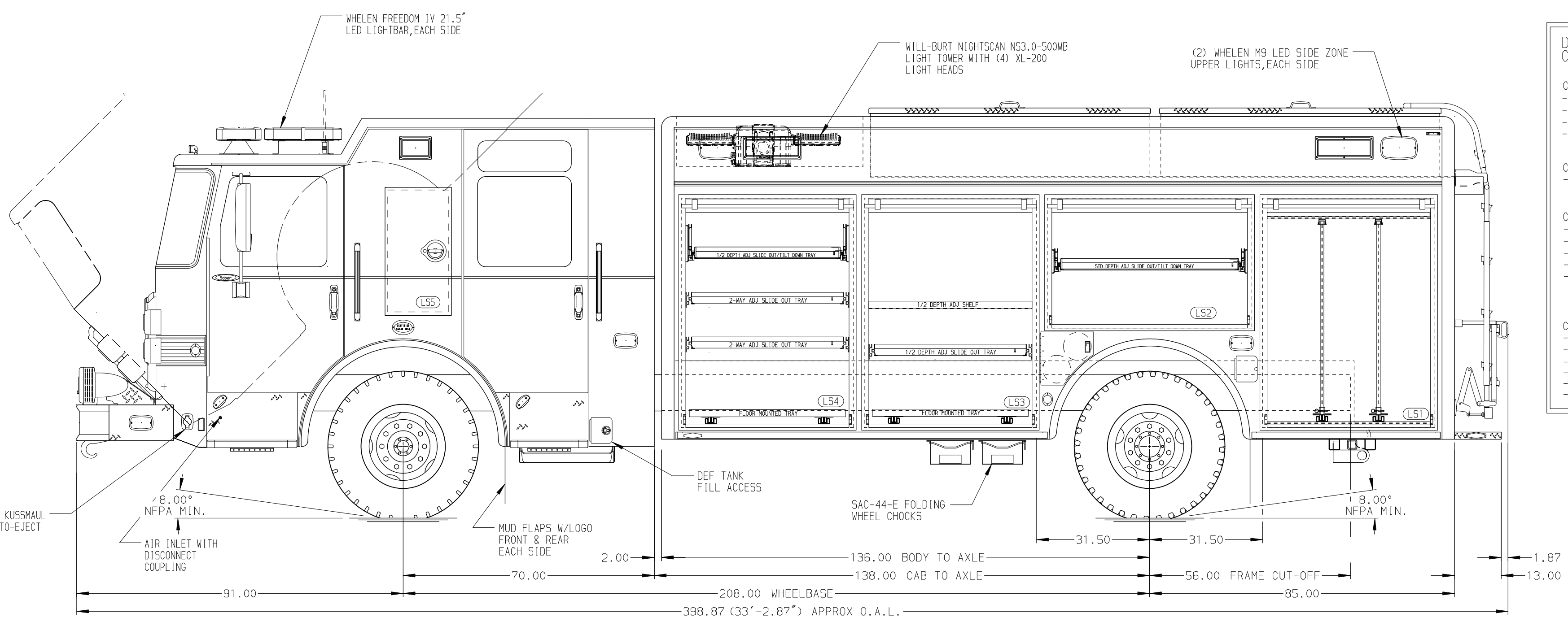
COMPARTMENT RS3 CONTAINS:
 - (1) 1/2 DEPTH ADJ SHELF
 - (1) FLOOR MOUNTED TRAY
 - (1) 1/2 DEPTH ADJ SLIDE OUT TRAY
 - (4) POLY TOOL BOXES
 - (1) 20A, 120V 6-PLACE RECEPTACLE-UPPER CENTER

COMPARTMENT RS4 CONTAINS:
 - (1) CAB LIFT CONTROLLER
 - (1) 1/2 DEPTH ADJ SLIDE OUT/TILT TRAY
 - (2) 2-WAY ADJ SLIDE OUT TRAYS
 - (1) FLOOR MOUNTED TRAY



REAR COMPARTMENT CONTAINS THE FOLLOWING:

COMPARTMENT B1 CONTAINS:
 - (1) 110" DP SLIDE OUT TRAY
 - (1) FLOOR MOUNTED TRAY
 - (1) STOKES BASKET RACK



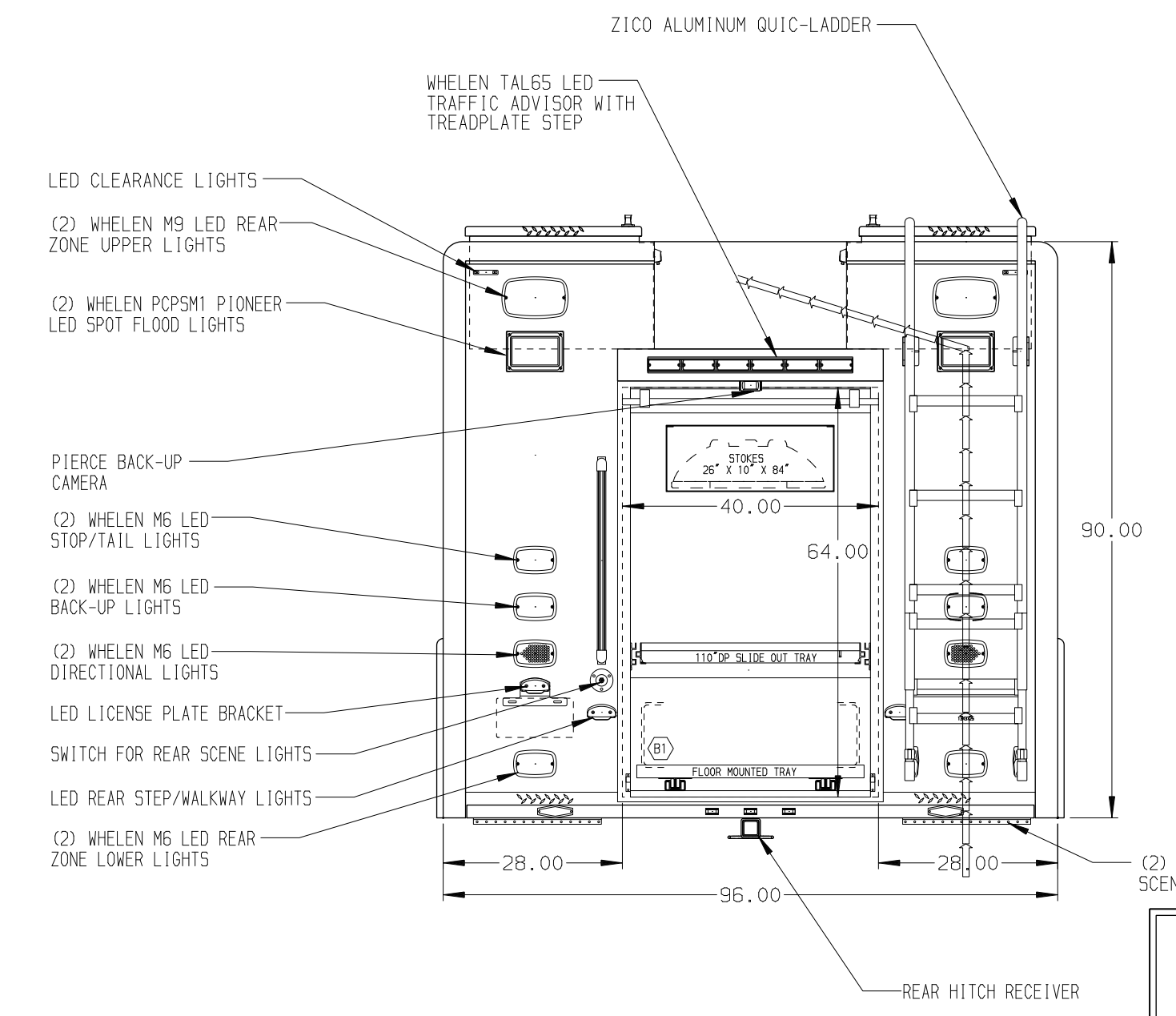
DRIVER'S SIDE COMPARTMENTS CONTAIN THE FOLLOWING:

COMPARTMENT LS1 CONTAINS:
 - (2) STD DEPTH ADJ SLIDE OUT TOOLBOARDS

COMPARTMENT LS2 CONTAINS:
 - (1) STD DEPTH ADJ SLIDE OUT/TILT TRAY

COMPARTMENT LS3 CONTAINS:
 - (1) 1/2 DEPTH ADJ SHELF
 - (1) 1/2 DEPTH ADJ SLIDE-OUT TRAY
 - (1) FLOOR MOUNTED SLIDE-OUT TRAY
 - (1) 20A, 120V 6-PLACE RECEPTACLE-UPPER CENTER

COMPARTMENT LS4 CONTAINS:
 - (1) 1/2 DEPTH ADJ SLIDE OUT/TILT TRAY
 - (2) 2-WAY ADJ SLIDE OUT TRAYS
 - (1) FLOOR MOUNTED SLIDE-OUT TRAY



NOTE
 DIMENSIONS SHOWN ARE APPROXIMATE AND ARE SUBJECT TO MINOR DEVIATIONS AS MAY OCCUR OR BE NECESSARY IN CONSTRUCTION. MINOR DETAILS NOT SHOWN.

- NOTES:**
- WARN #9,000 PORTABLE WINCH
 - FLOOR IN CAB AND CREW CAB TO BE PADDED RUBBER
 - PULL STRAPS ON ALL BODY ROLL UP DOORS
 - PIERCE LED LIGHT STRIPS IN ALL BODY AND HATCH COMPARTMENTS
 - KUSMAUL 60 AMP BATTERY CHARGER LOCATED BEHIND THE DRIVER'S SEAT
 - S/S GUARDS ON ALL BODY ROLL-UP DOORS
 - BATTERY CHARGE INDICATOR LOCATED ON DRIVER'S SEAT RISER

(SIDE ROLL & FRONTAL IMPACT PROTECTION)

CLEAR DOOR WIDTH KEY		CHASSIS DATA	
AMDR ROLL UP DOORS:	-2 1/4"	TITLE	HEAVY DUTY RESCUE NON-WALKIN
CORTITE ROLL UP DOORS:	-2 1/2"	FOR	PITTSBURGH EMERGENCY MEDICAL SERVICES PITTSBURGH, PENNSYLVANIA
PIERCE DOUBLE LAP DOORS:	-4 1/4"	DWG NO.	45235AD
PIERCE LIFT-UP LAP DOORS:	-1 1/2"	SHEET NO.	1 OF 1
(EX: 60" F-F - 2 1/4" = 57 3/4" CLEAR) (F-F) = FRAME TO FRAME		REV	

Pierce MANUFACTURING INC.

JOB NO. 45235

SCALE 1:24 DATE

DRAWN BY DHE 030CT25

CHECKED BY GF1

SHEET SIZE D SHEET NO. 1 OF 1