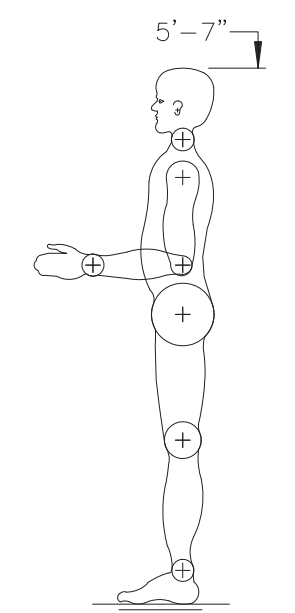
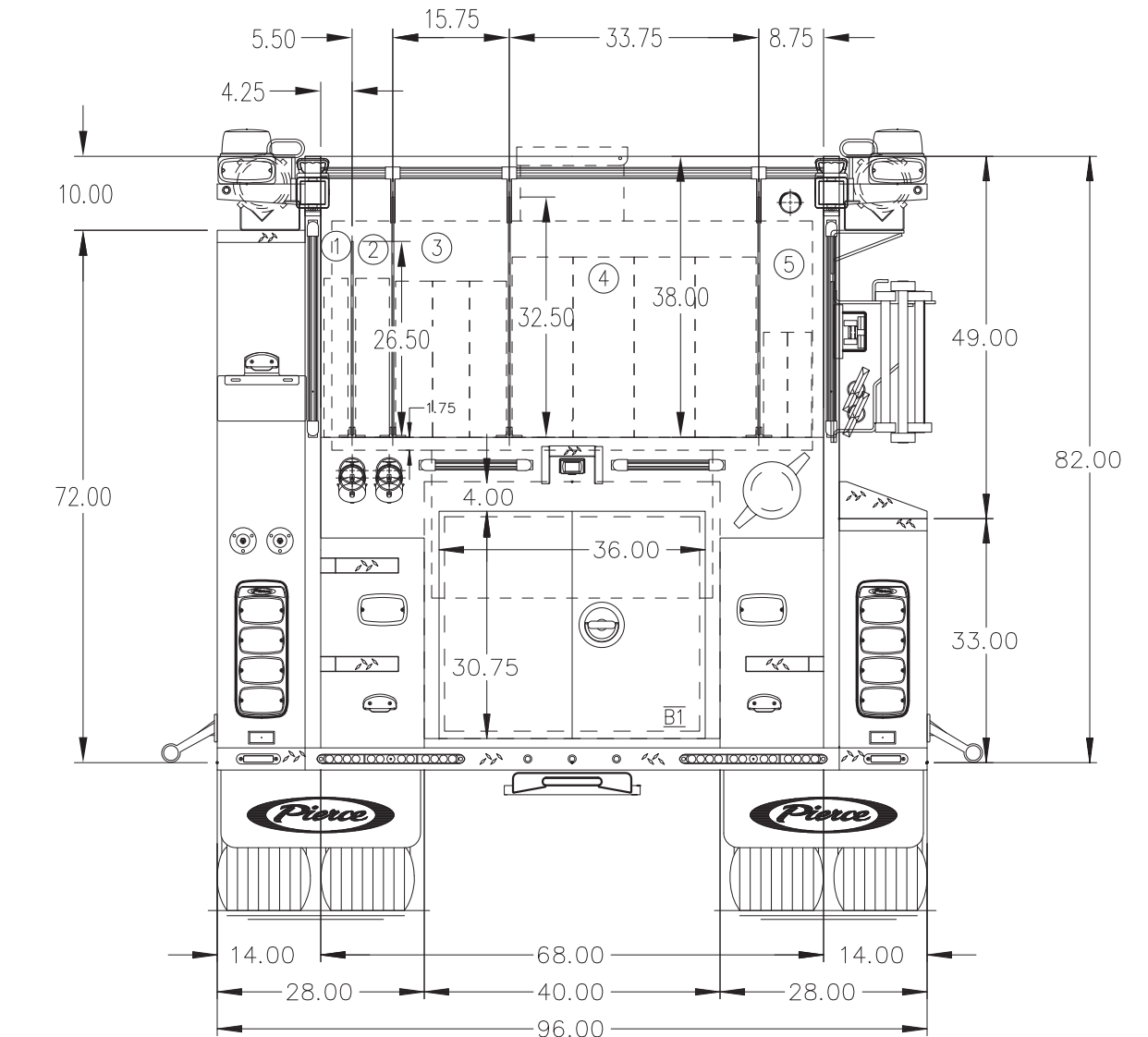
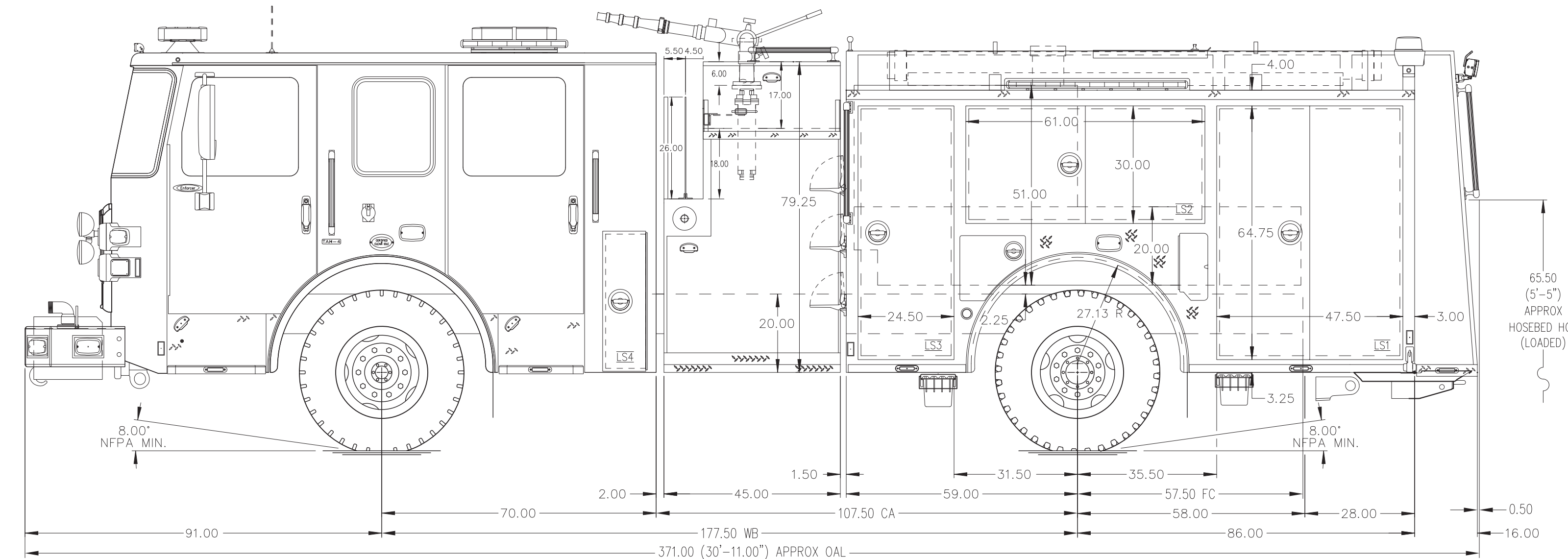


- HOSEBED CAPACITIES
- ① 300' OF 1.75" MERCEDES AQUAFLOW HOSE
  - ② 300' OF 2.50" MERCEDES AQUAFLOW HOSE
  - ③ 800' OF 3.00" MERCEDES AQUAFLOW HOSE
  - ④ 1100' OF 5.00" MERCEDES MEGAFLOW HOSE
  - ⑤ 400' OF 1.75" MERCEDES AQUAFLOW HOSE



ALUMINUM BODY    MAXIMUM O.A.L. 369.00"    MAXIMUM O.A.H. 114.00"    SIDE ROLL AND FRONTAL IMPACT PROTECTION

**NOTE**  
DIMENSIONS SHOWN ARE APPROXIMATE AND ARE SUBJECT TO MINOR DEVIATIONS AS MAY OCCUR OR BE NECESSARY IN CONSTRUCTION. MINOR DETAILS NOT SHOWN.

REV	DATE	BY	CH	ENFORCER



TITLE	1500 GPM, 750 GALLON WATER TANK 145" 2G PUMPER, MUX
FOR	SUSQUEHANNA TOWNSHIP GLICK FIRE EQUIPMENT CO, INC      CYLE SHEAFFER
DWG NO.	PRELIMINARY PRINT ONLY

NFPA 1900 (2024) COMPLIANT

PROPOSAL	854
SCALE	DATE
DRAWN BY	08AUG2025
CHECKED BY	N/A
SHEET SIZE	SHEET NO.
D	1 OF 1