

8

7

6

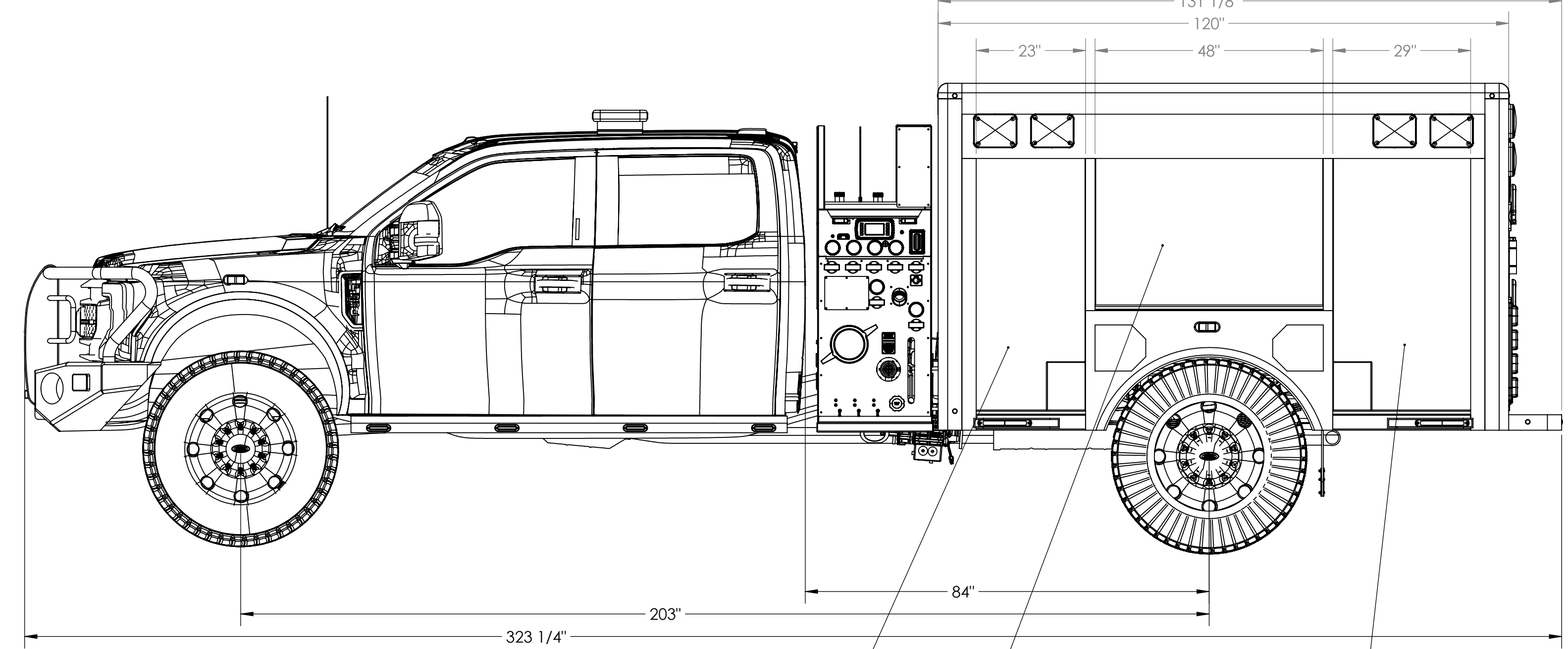
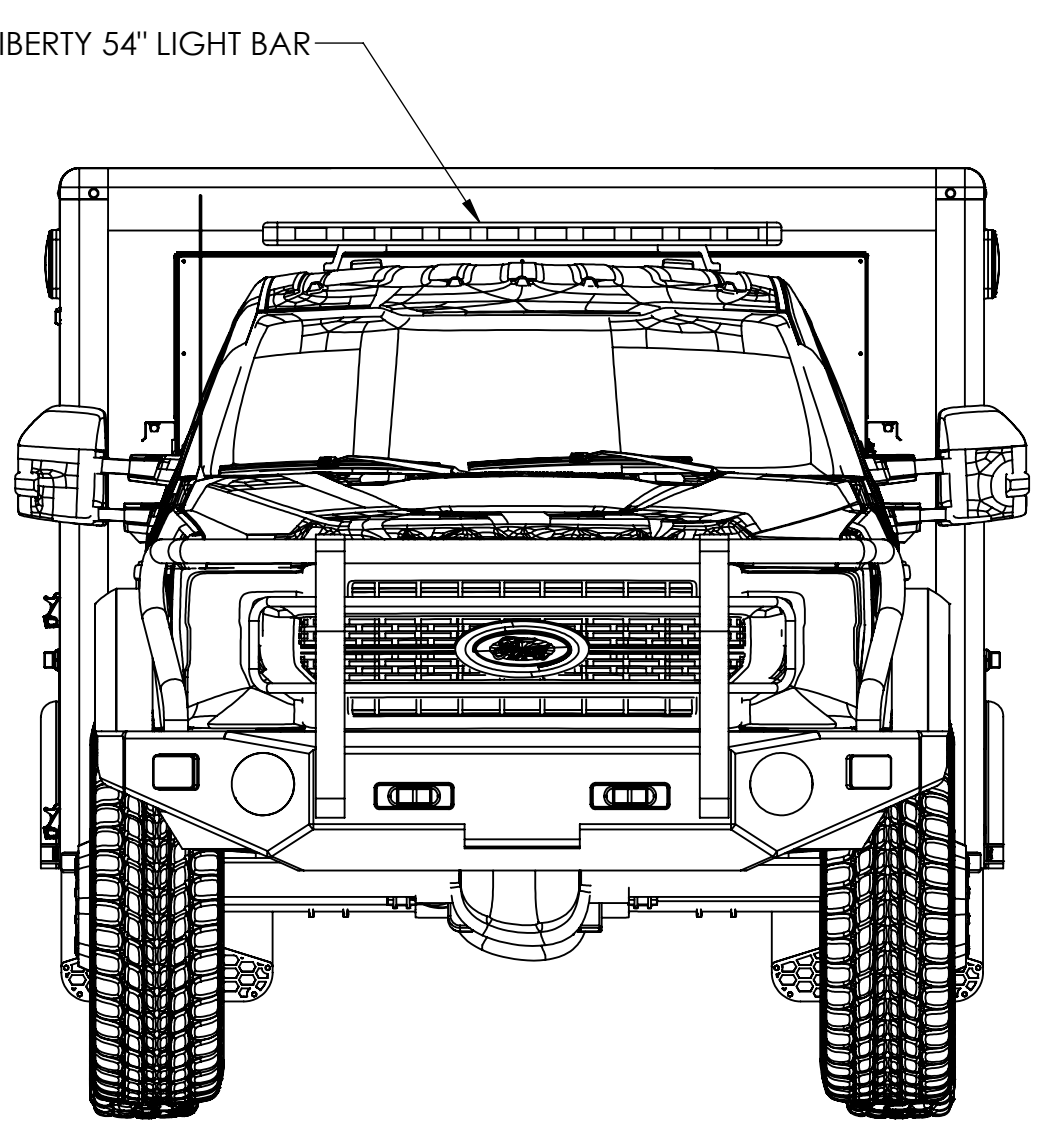
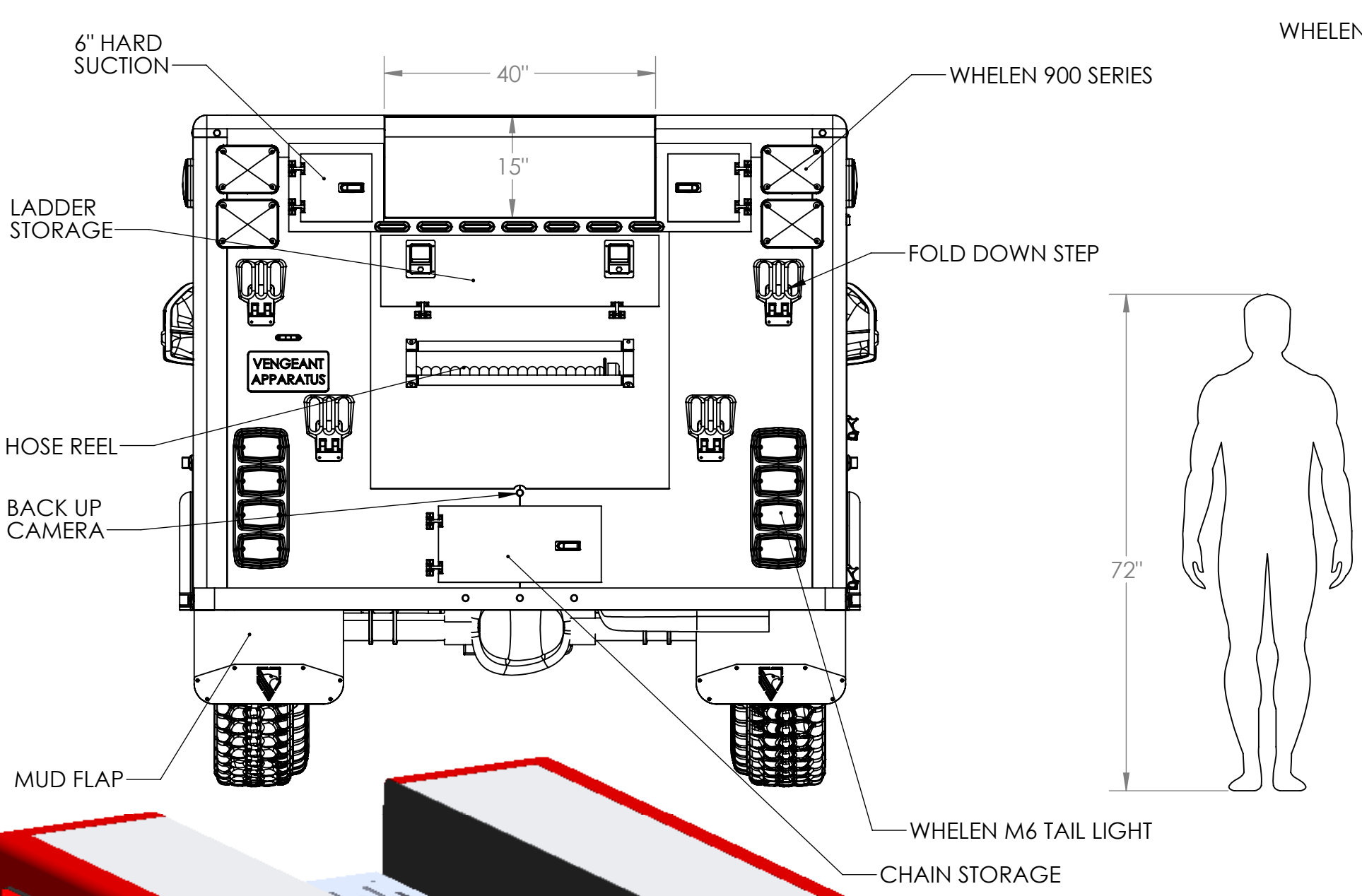
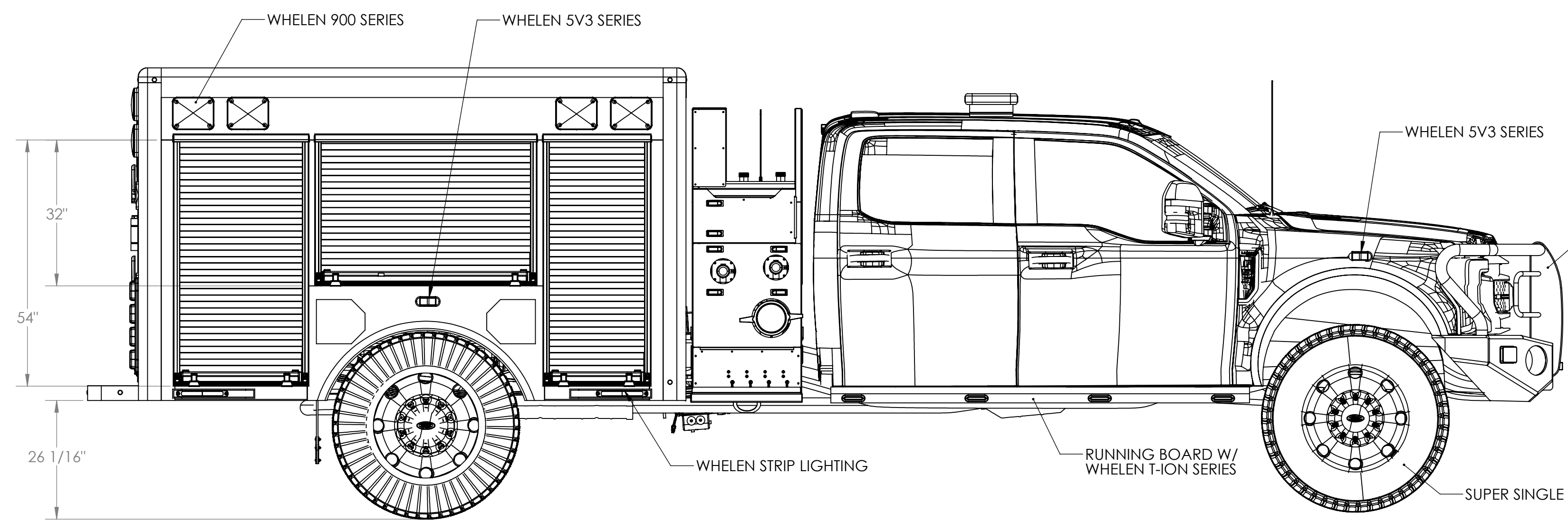
5

4

3

2

1



SS-1/CS-1 : 23" W x 54" L x 23" DEEP COMPARTMENT W/ LOWER ELECTRICAL COMPARTMENT

SS-2/CS-2 : 48" W x 32" L x 23" DEEP COMPARTMENT

SS-3/CS-3 : 29" W x 54" L x 23" DEEP COMPARTMENT



		THE INFORMATION CONTAINED IN THIS DRAWING IS THE SOLE PROPERTY OF VENGEANT APPARATUS. ANY REPRODUCTION IN PART OR AS A WHOLE WITHOUT THE WRITTEN PERMISSION OF VENGEANT APPARATUS IS PROHIBITED.		<b>VENGEANT APPARATUS</b> DESCRIPTION <b>BLIZZARD - SUPER SINGLE - GENERIC</b>	
UNLESS OTHERWISE SPECIFIED: DIMENSIONS ARE IN INCHES TOLERANCES: FRACTIONAL = 1/16 ANGULAR = ± 0.50 TWO PLACE DECIMAL = ± 0.06 THREE PLACE DECIMAL = ± 0.003		SIZE <b>D</b>	DWG. NO. BLIZZARD-009 - SUPER SINGLE - GENERIC	REV 1	SCALE: 1:20   WEIGHT: SHEET 1 OF 1
REV	CHANGE	NAME	DATE	MATERIAL	
	REVISIONS				
				DO NOT SCALE DRAWING	
				DRAWN T. SANDERS 1/10/2023	

8

7

6

5

4

3

2

1