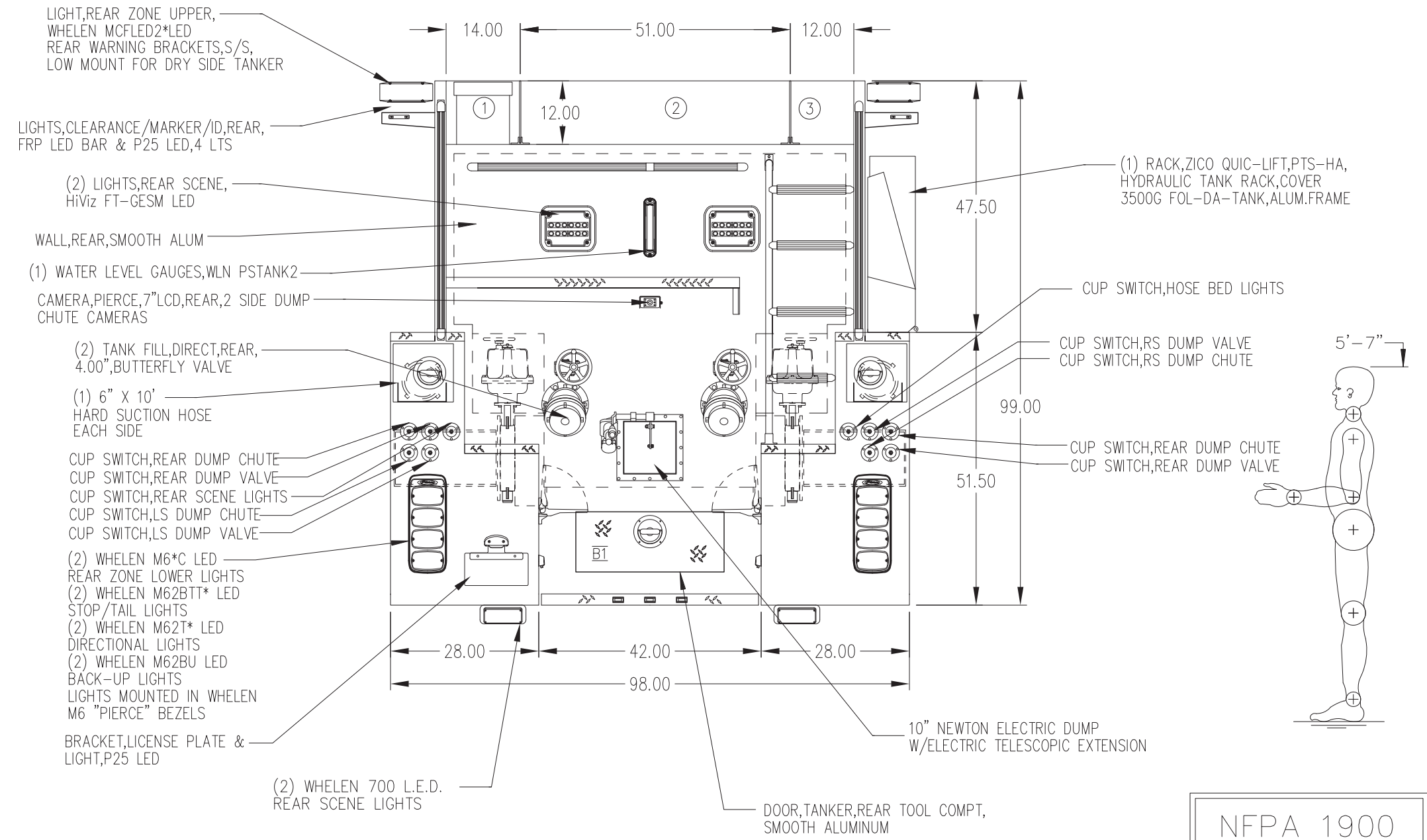
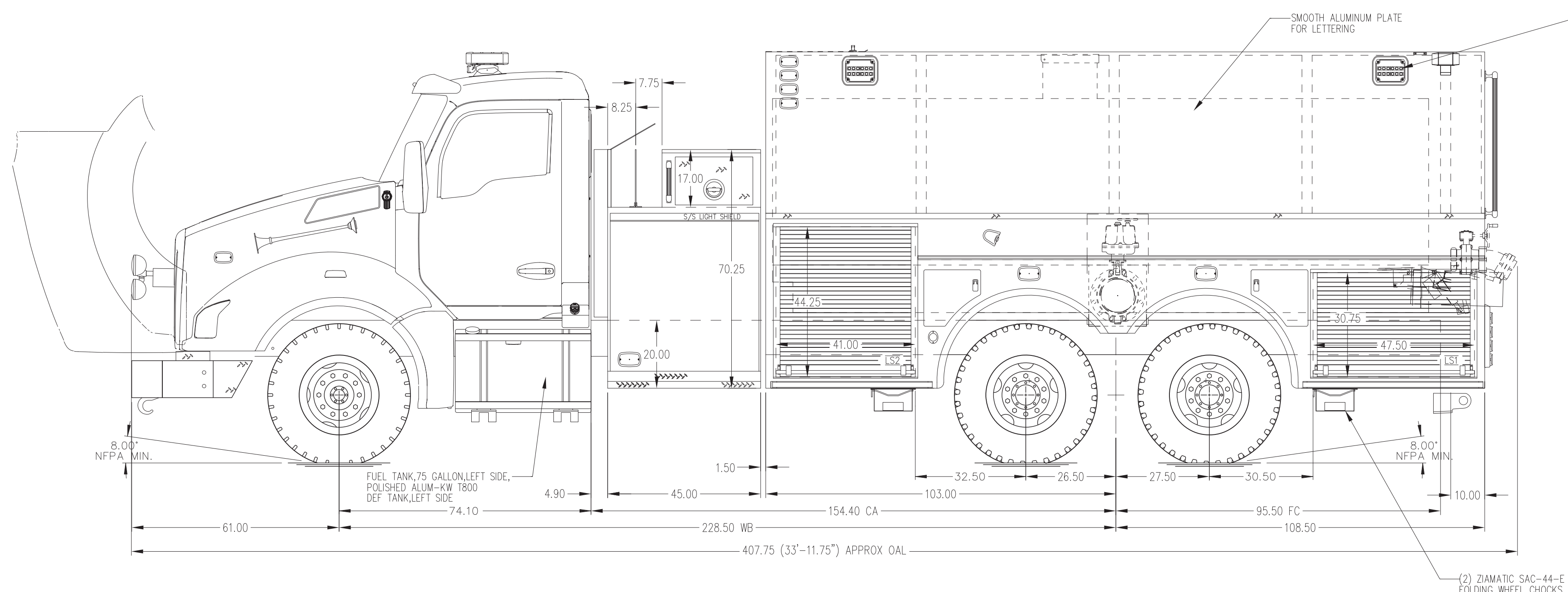


- HOSEBED CAPACITIES
- ① 200' OF 2.50" DJ HOSE
  - ② OPEN
  - ③ OPEN



ALUMINUM BODY

NOTE  
DIMENSIONS SHOWN ARE APPROXIMATE AND ARE SUBJECT TO MINOR DEVIATIONS AS MAY OCCUR OR BE NECESSARY IN CONSTRUCTION. MINOR DETAILS NOT SHOWN.

		MANUFACTURING INC.	
		PROPOSAL	1072
TITLE		SCALE	DATE
2000-D-3000P, 211" BODY, 2ND GEN DRYSIDE TANKER		1:24	
FOR		DRAWN BY	
STRASBURG FIRE COMPANY NO. 1		KRG	30MAY2025
STRASBURG, PA		CHECKED BY	
DWG NO.		N/A	N/A
PRELIMINARY PRINT ONLY		SHEET SIZE	SHEET NO.
		D	1 OF 1

CHASSIS DATA				
MAKE				
KW				
MODEL				
T880				
REV	DATE	BY	CH	
	10JUN25	KRG	-	