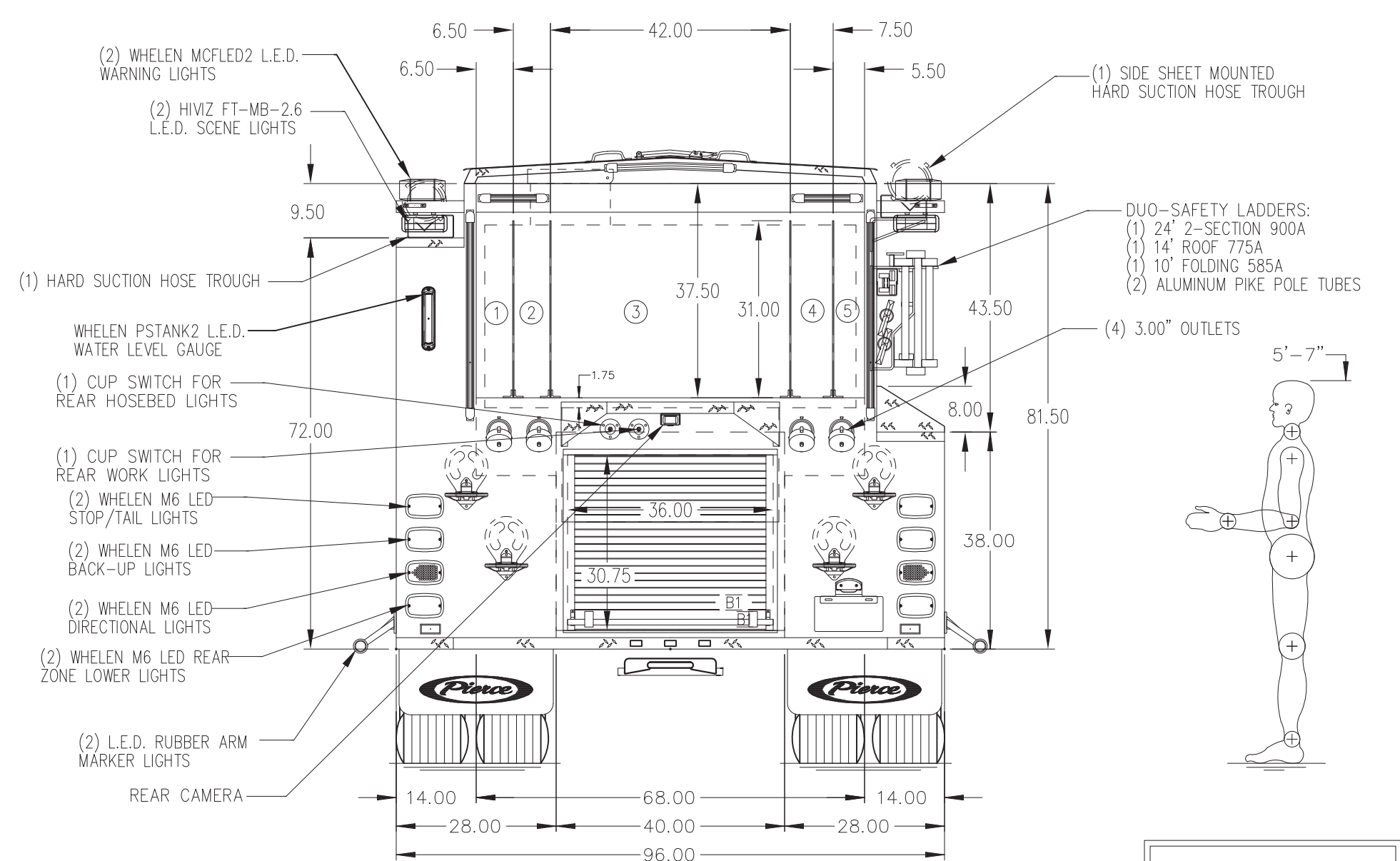


- HOSERED CAPACITIES**
- ① 200' OF 3.00" COTTON HOSE (SINGLE STACK)
  - ② 200' OF 3.00" COTTON HOSE (SINGLE STACK)
  - ③ 1400' OF 5.00" COTTON HOSE (5 ROWS)
  - ④ 400' OF 1.75" COTTON HOSE (DOUBLE STACK)
  - ⑤ 200' OF 2.50" COTTON HOSE (SINGLE STACK)



**ALUMINUM BODY**

**SIDE ROLL AND FRONTAL IMPACT PROTECTION**

**NOTE**  
DIMENSIONS SHOWN ARE APPROXIMATE AND ARE SUBJECT TO MINOR DEVIATIONS AS MAY OCCUR OR BE NECESSARY IN CONSTRUCTION. MINOR DETAILS NOT SHOWN.

- 1. SHORELINE RECEPTACLE WITH KUSSMAUL SUPER AUTO-EJECT LOCATED ON DRIVER SIDE
- 2. AIR INLET WITH DISCONNECT COUPLING IN THE DRIVER SIDE STEPWELL

REV	DATE	BY	CH	SABER FR
03FEB25	KRG	-	MAKE	
11DEC24	KRG	-	PIERCE	
02DEC24	KRG	-	MODEL	

**Pierce** MANUFACTURING INC.

TITLE: 1500-D-750 GAL POLY, 145" PUMPER BODY (2) CROSSLAYS, LADDERS ON PS

FOR: MUHLBERG TOWNSHIP FIRE RESCUE READING, PA

DWG NO.: PRELIMINARY PRINT ONLY

PROPOSAL: 901

SCALE: 1:24

DATE:

DRAWN BY: KRG

CHECKED BY: N/A

SHEET SIZE: D

SHEET NO.: 1 OF 1

NFPA 1900 (2024) COMPLIANT