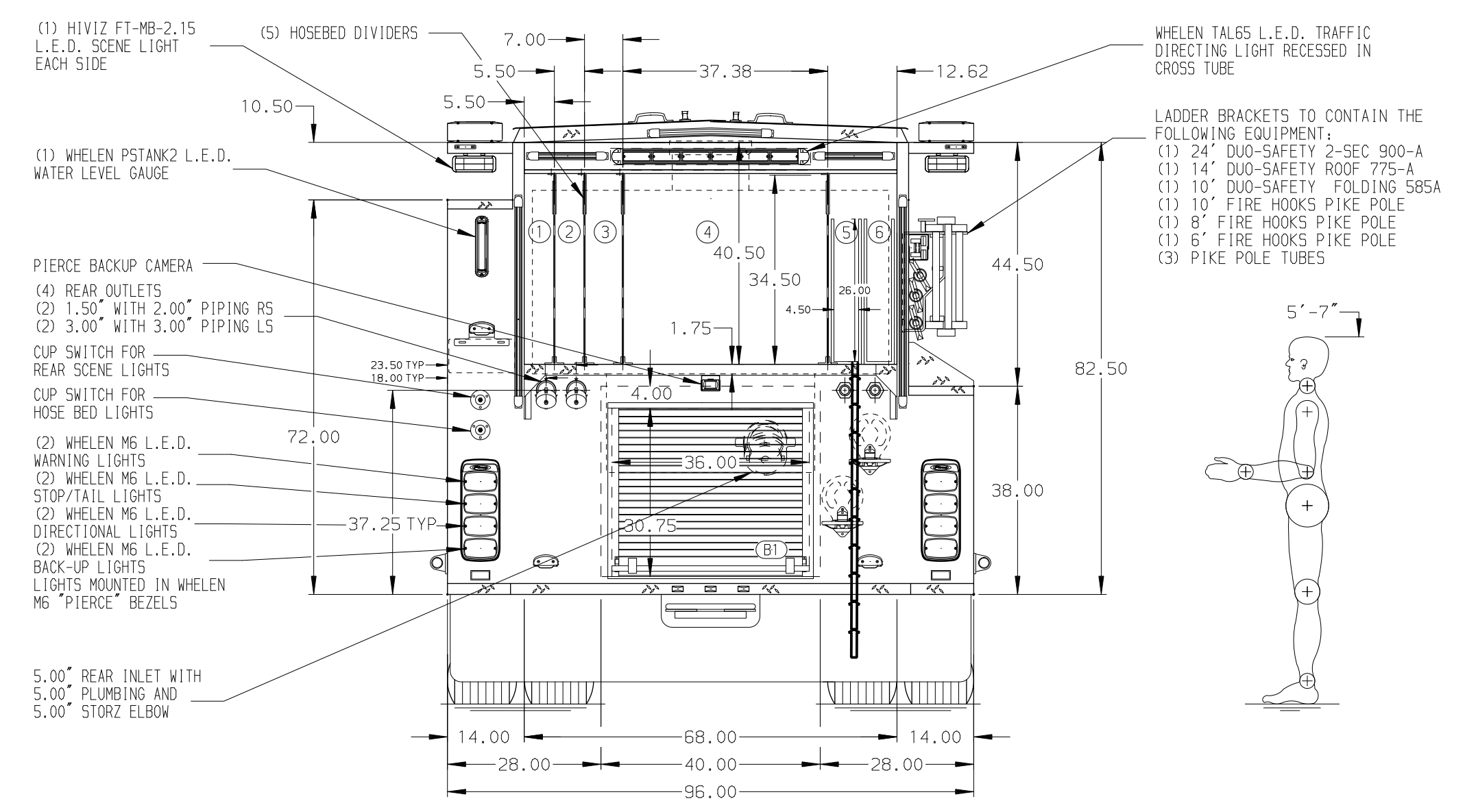
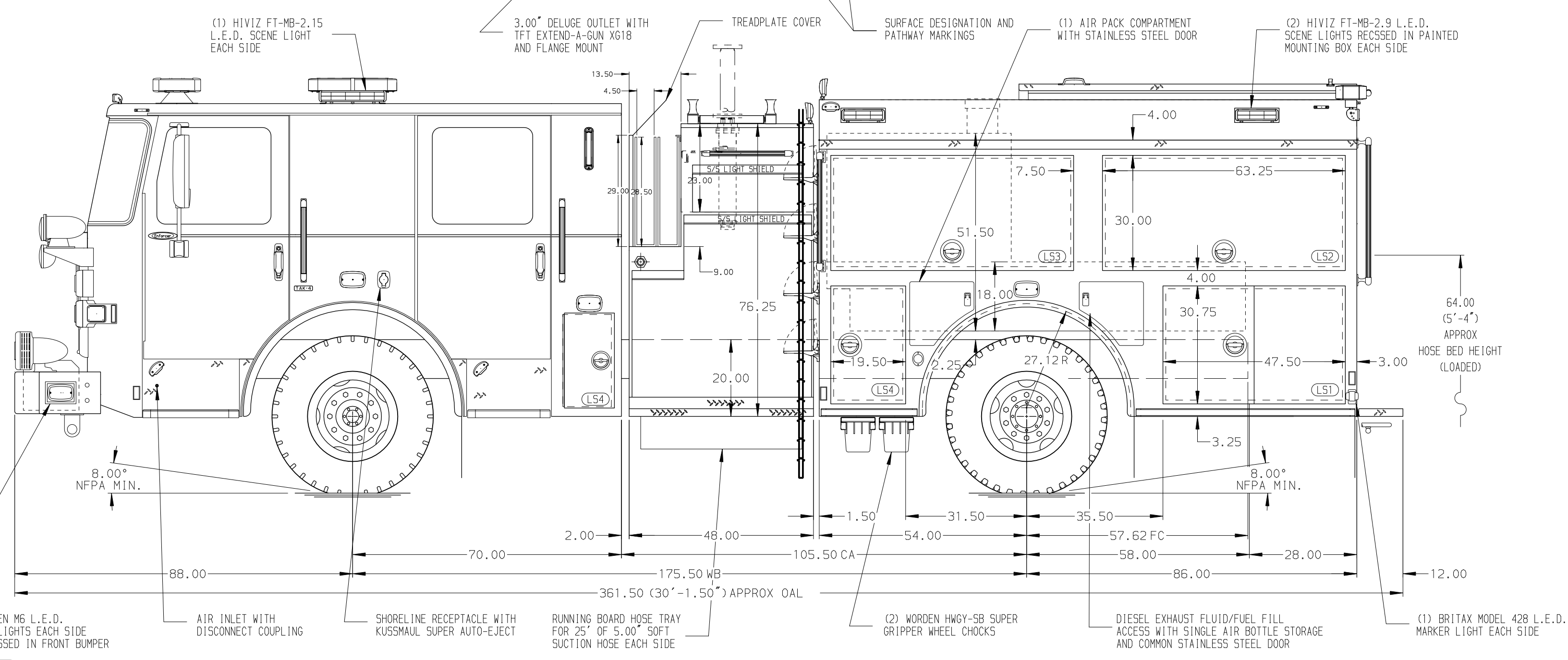


- HOSEBED CAPACITIES
- ① - 250' OF 2.50" D.J. POLY HOSE
 - ② - 200' OF 2.50" D.J. POLY HOSE
 - ③ - 300' OF 3.00" D.J. POLY HOSE
 - ④ - 1200' OF 5.00" D.J. POLY HOSE
 - ⑤ - 200' OF 1.75" D.J. POLY HOSE (IN POLY TRAY)
 - ⑥ - 250' OF 1.75" D.J. POLY HOSE (IN POLY TRAY)



ALUMINUM BODY

NOTE
 DIMENSIONS SHOWN ARE APPROXIMATE AND ARE SUBJECT TO MINOR DEVIATIONS AS MAY OCCUR OR BE NECESSARY IN CONSTRUCTION. MINOR DETAILS NOT SHOWN.

- 1. BATTERY CHARGER LOCATED BEHIND DRIVER'S SEAT
- 2. BATTERY CHARGER INDICATOR LOCATED ON DRIVER'S SEAT RISER
- 3. DUAL L.E.D. LIGHT STRIPS LOCATED IN HOSE BED
- 4. REVERSED HINGED DOOR ON COMPARTMENT LS4
- 5. DRIP PAN GUARD FOR ROLL-UP DOOR LOCATED B1
- 6. PARTITION BETWEEN COMPARTMENTS LS1/B1 AND RS1/B1
- 7. 120V DUPLEX RECEPTACLE LOCATED IN COMPARTMENT LS1, LS2, LS3, RS1 AND RS2

REV	DATE	BY	CH	ENFORCER
24JUN21	CDU	PHA		
11MAY21	CDU	PHA		
15MAR21	CDU	PHA		

Pierce MANUFACTURING INC.

JOB NO. 36100
 SCALE 1:24
 DATE
 DRAWN BY JJB
 08MAR21
 CHECKED BY CDU
 9MAR21
 SHEET SIZE D
 SHEET NO. 1 OF 1

TITLE 2000-D-625P, 625 GAL WATER TANK, 140" FDLER BODY
 (2) CROSSLAYS, LADDER RACK, DELUGE, BOOSTER REEL
 MAKE WELDON FIRE COMPANY
 FOR GLENSIDE, PENNSYLVANIA
 MODEL
 DWG NO. 36100AD