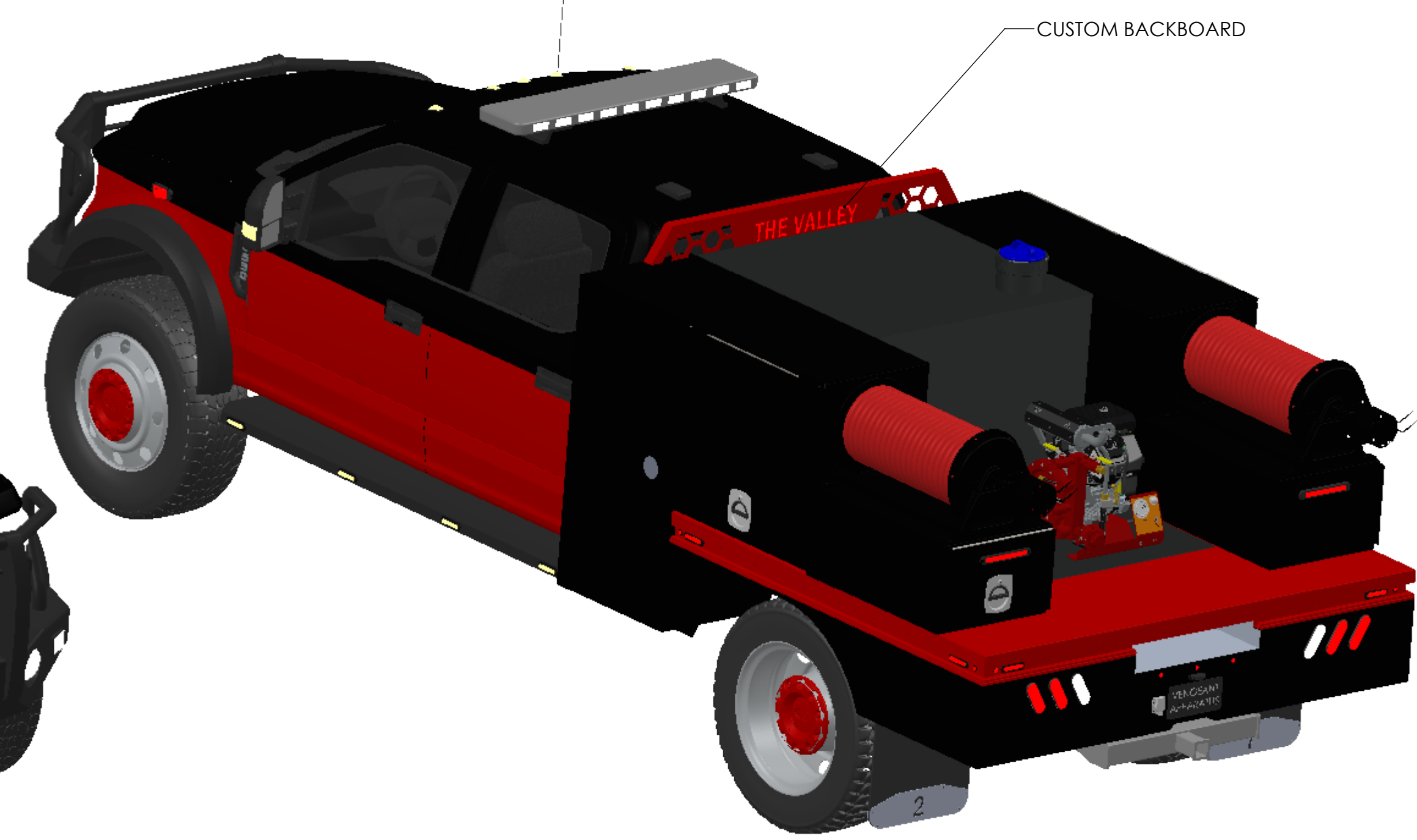
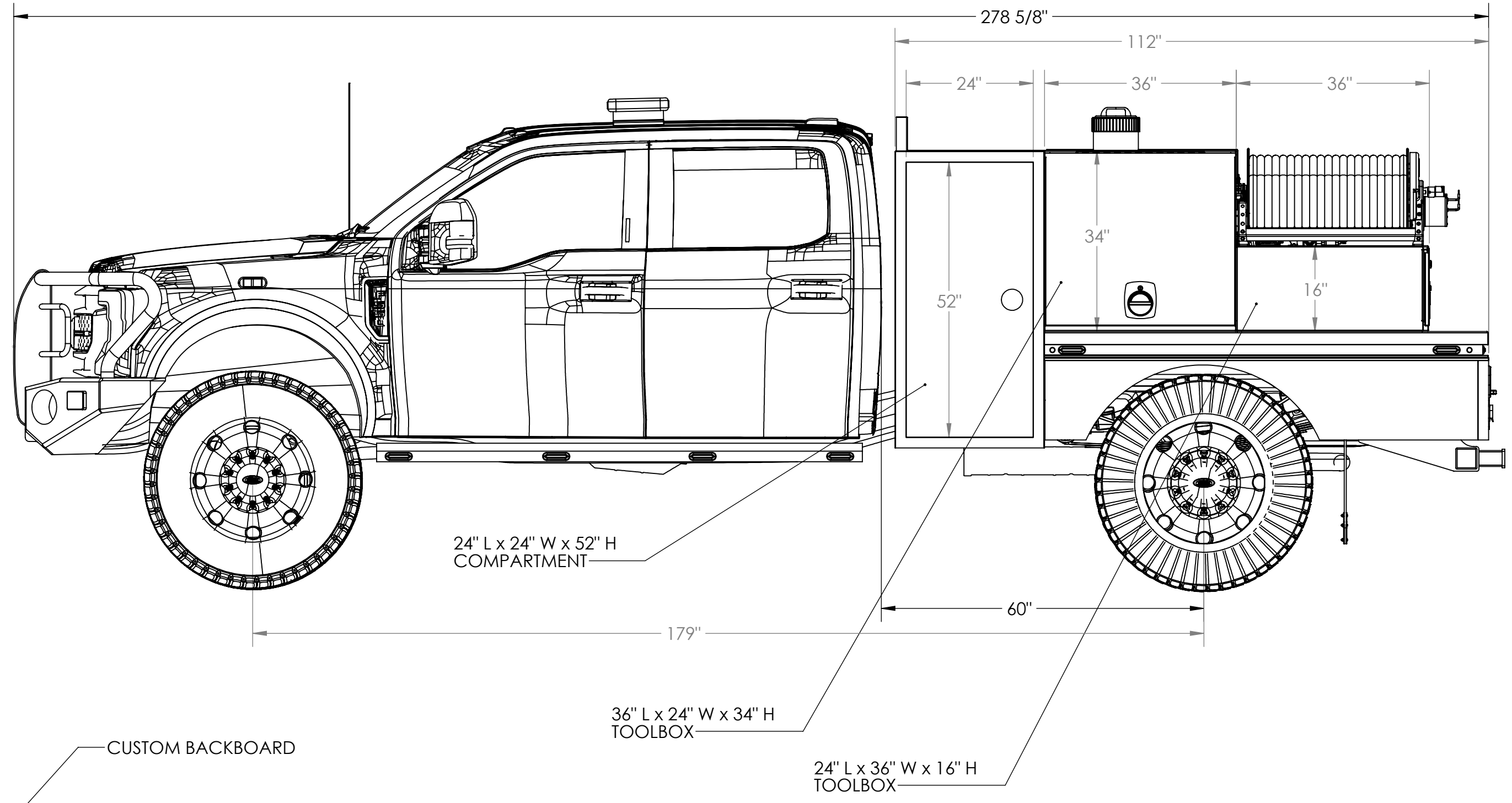
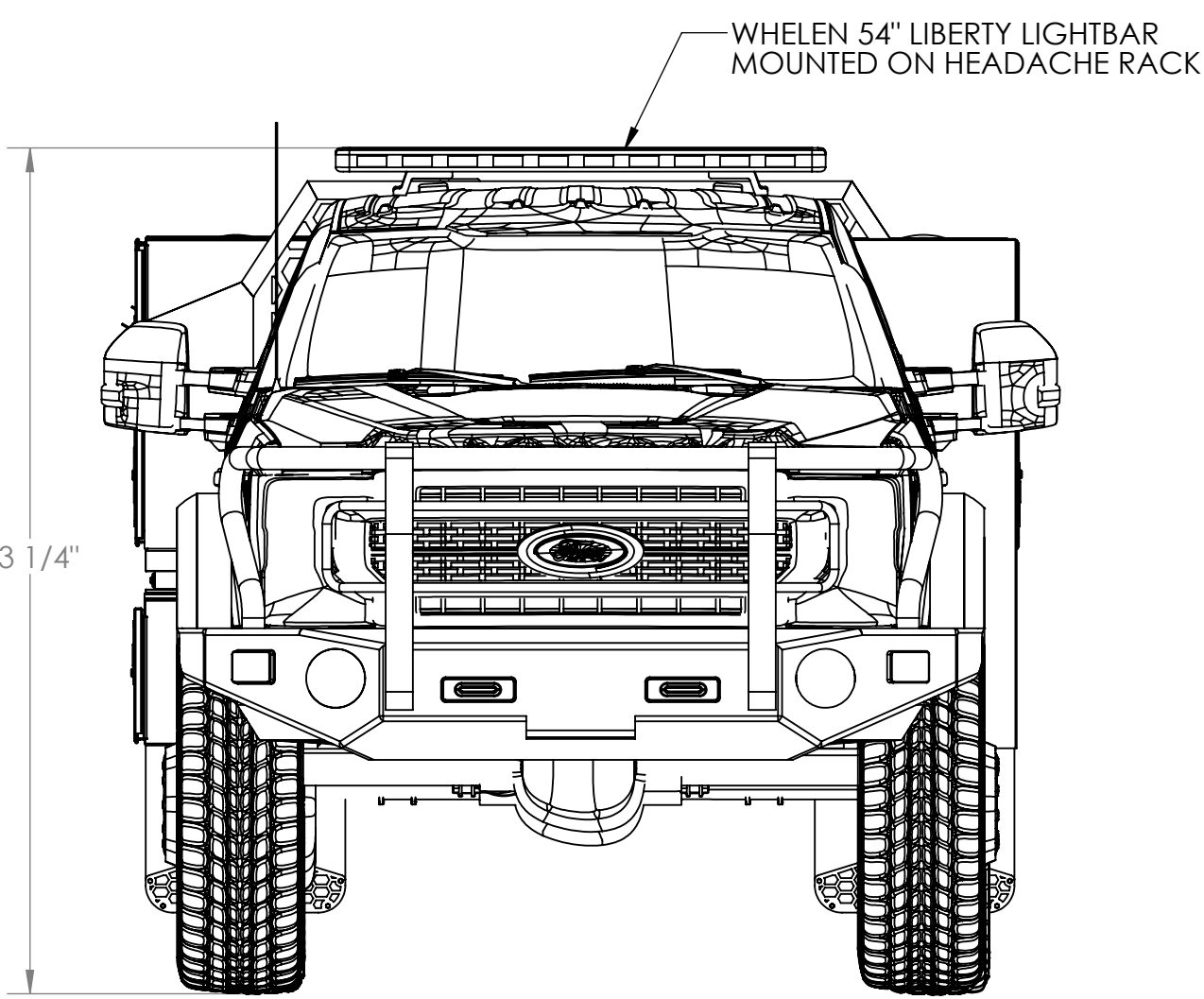
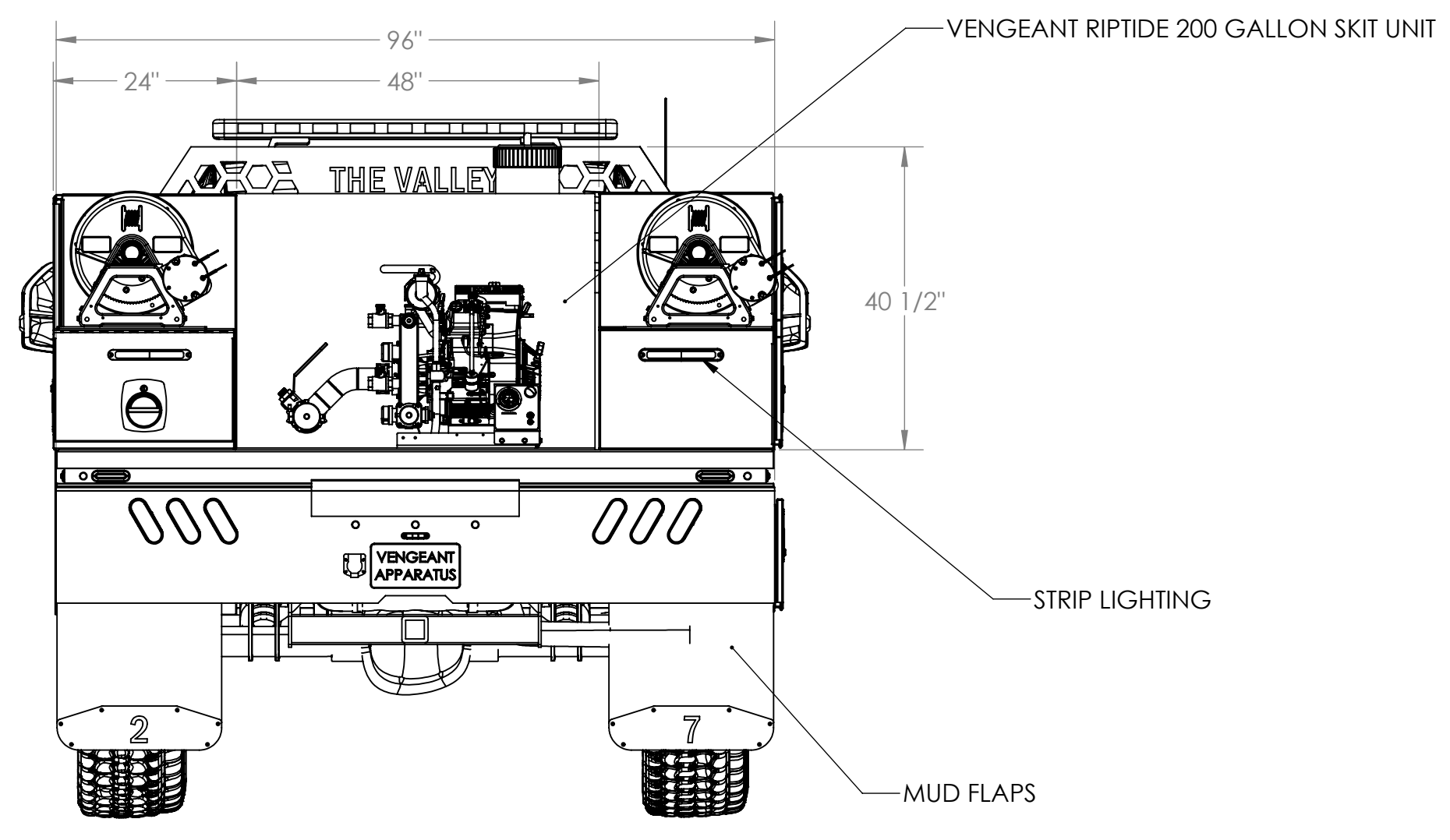
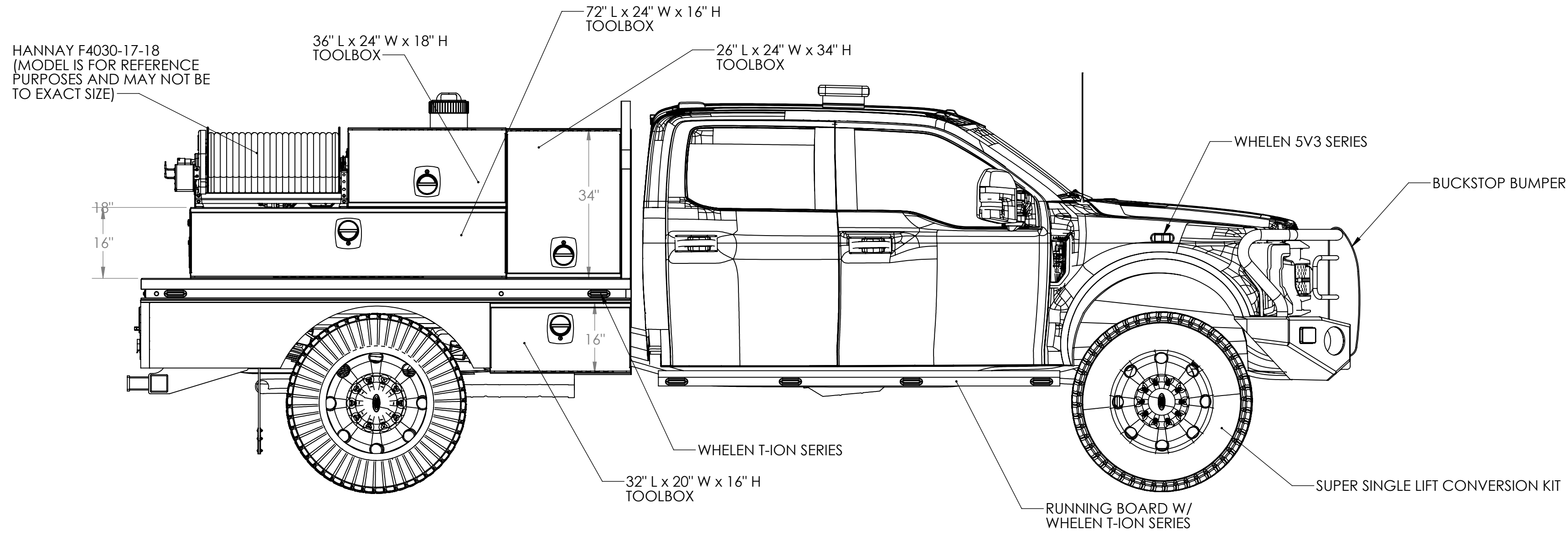


8 7 6 5 4 3 2 1



FOR REFERENCE PURPOSES ONLY

C CUSTOMER REVISIONS		TS	5/31/22	VENGEANT APPARATUS	
B UPDATED TO CUSTOMER SPEC		TS	4/11/22	DESCRIPTION	
REV	CHANGE	NAME	DATE	SPECIFICATION SHEET	
				SIZE	DWG. NO.
				D	BUCHANAN VALLEY
				REV	C
REVISIONS			SCALE: 1:20	SHEET 1 OF 1	



UNLESS OTHERWISE SPECIFIED:
 DIMENSIONS ARE IN INCHES
 TOLERANCES:
 FRACTIONAL: ± 1/16
 ANGULAR: ± 0.50
 TWO PLACE DECIMAL: ± 0.06
 THREE PLACE DECIMAL: ± 0.003

8 7 6 5 4 3 2 1