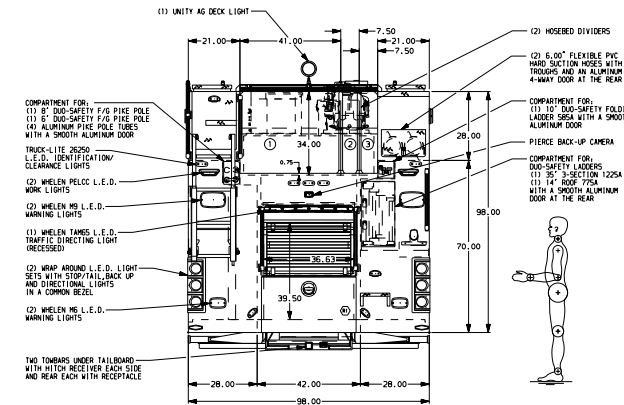
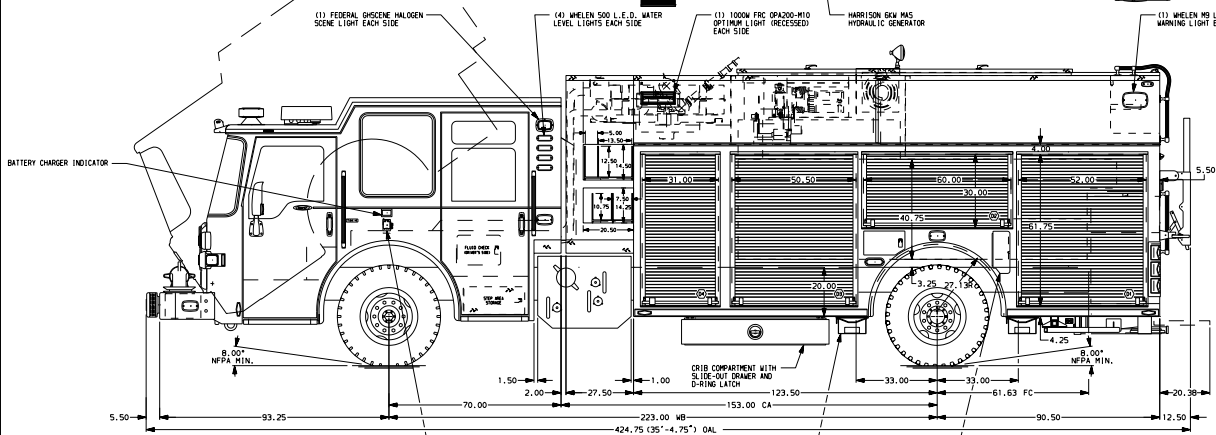


- HOSEBED CAPACITIES**
- ① 100' OF 5.00" O.D.J. HOSE
  - ② 300' OF 3.00" O.D.J. HOSE
  - ③ 300' OF 3.00" O.D.J. HOSE



**ALUMINUM BODY**

**FRONT IMPACT PROTECTION**

**SIDE ROLL PROTECTION**

**NOTE**  
DIMENSIONS SHOWN ARE APPROXIMATE AND ARE SUBJECT TO MINOR DEVIATIONS AS MAY OCCUR OR BE NECESSARY IN CONSTRUCTION.  
MINOR DETAILS NOT SHOWN.

1. 9.00" PORTABLE WINCH WITH 125' OF 3/16" CABLE
2. MOUNTING BRACKETS FOR ANTENNAS LOCATED PER SHOP ORDER
3. PERIPHERY SCENE LIGHTS LOCATED PER SHOP ORDER
4. PIERCE L.E.D. COMPARTMENT DUAL LIGHT STRIPS LOCATED PER SHOP ORDER
5. ONE PAINTED ALU. FILL WITH 100% DEPTH SHEET IN COMP. D3 & R2; TWO IN P4; THREE IN P3
6. ONE PAINTED ALUMINUM 1/2" DE-OUT (REG. BOARD TOOLBOARD) IN COMPARTMENT P1
7. CIRCUIT BREAKER PANEL IN COMPARTMENT D3
8. STAINLESS STEEL FENDER COOKING FRONT AND REAR
9. MOTOR LUMBAR L.E.D. HOOD LIGHTS IN HOSEBED
10. DROPT AUTOMATIC TIRE CHAINS
11. KUSSMIL PUMP PLUS 1200 BATTERY CHARGER LOCATED UNDER CENTER CONSOLE AREA
12. PIERCE L.E.D. COMPARTMENT LIGHT STRIPS IN HATCH COMPARTMENTS
13. ONE SLIDE-OUT FLOOR TRAY WITHOUT SLIDERS IN COMPARTMENTS D3, P4 & R1
14. ONE ADDITIONAL POLY HOSE TRAY SHIPPED LOOSE
15. HUSKY 12 SINGLE AGENT FOAM SYSTEM
16. ONE ADDITIONAL AIR OUTLET SUPPLIED BY CAPS LOCATED ON P5 PUMP PANEL
17. ONE HANNAY ELECTRIC REMIND CORD REEL 1618-1718 LOCATED IN HATCH COMP. OVER D3 & P3 WITH 200' OF 15V CABLE AND CIRCLED JUNCTION BOX
18. ONE 15A, 120V 6-PLACE RECEPTACLE STRIP LOCATED IN CAB
19. ONE 15A, 120V DUPLEX RECEPTACLE LOCATED IN ONE CABINET, ONE IN CAB, ONE IN D3 & P1
20. TWO PAINTED SWING-OUT TOOLBOARDS WITH PAC TRAC IN COMPARTMENT D2

**CUSTOMER APPROVAL**

APPROVED BY: \_\_\_\_\_

DATE: \_\_\_\_\_

REV	DATE	BY	CHK	DESCRIPTION
07SEP12	NPA	BTS		CHASSIS DATA
10FEB12	NPA	CSH		TITLE
				FOR DEWEY FIRE COMPANY NO. 1 HELLERTOWN, PENNSYLVANIA
				DWG NO. 25340AD
				NO.

<b>Pierce MANUFACTURING INC.</b>		JOB NO.	25340
		SCALE	1:24
		DATE	
		DRAWN BY	NPA
		CHECKED BY	CSH
		SHEET SIZE	1 of 1