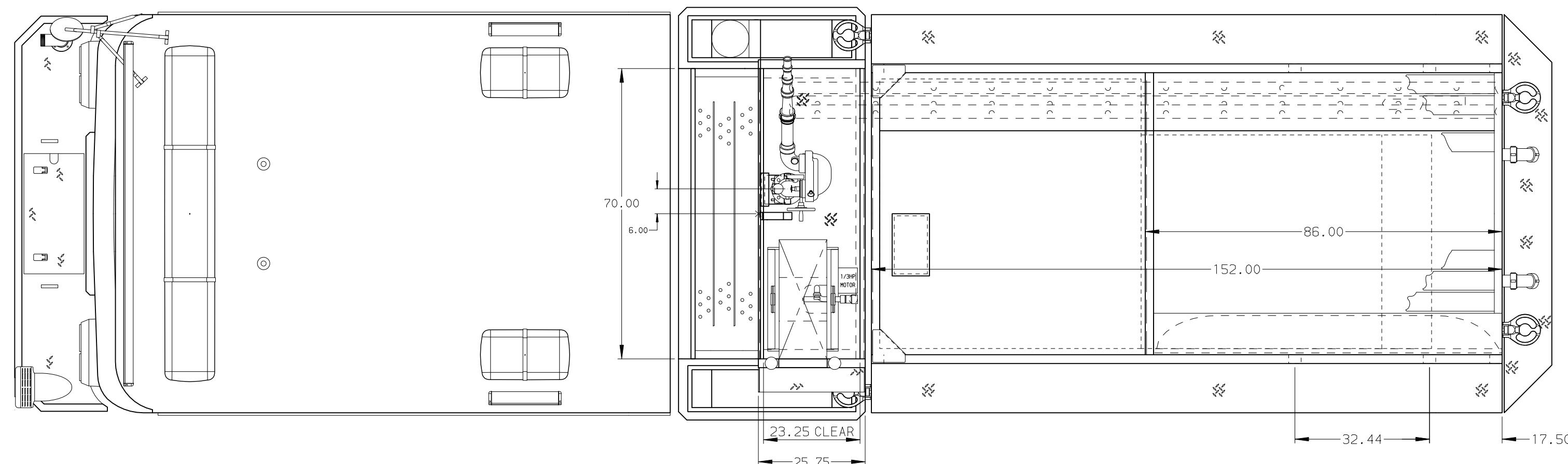
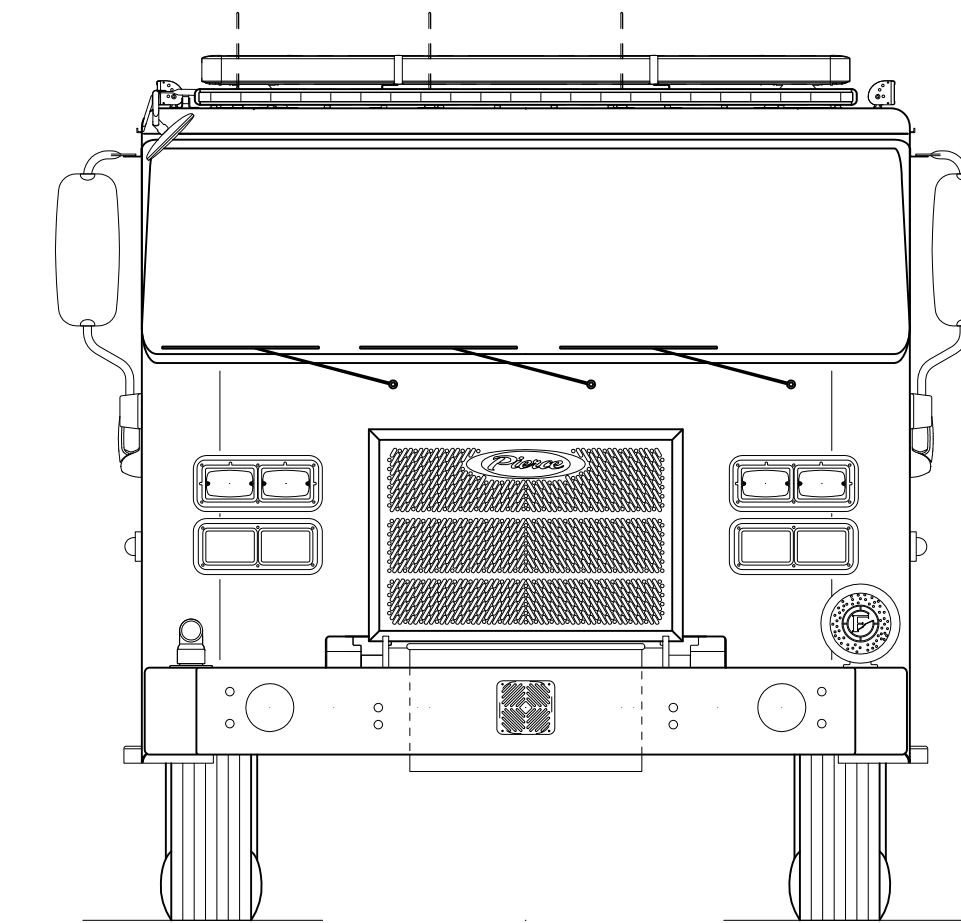
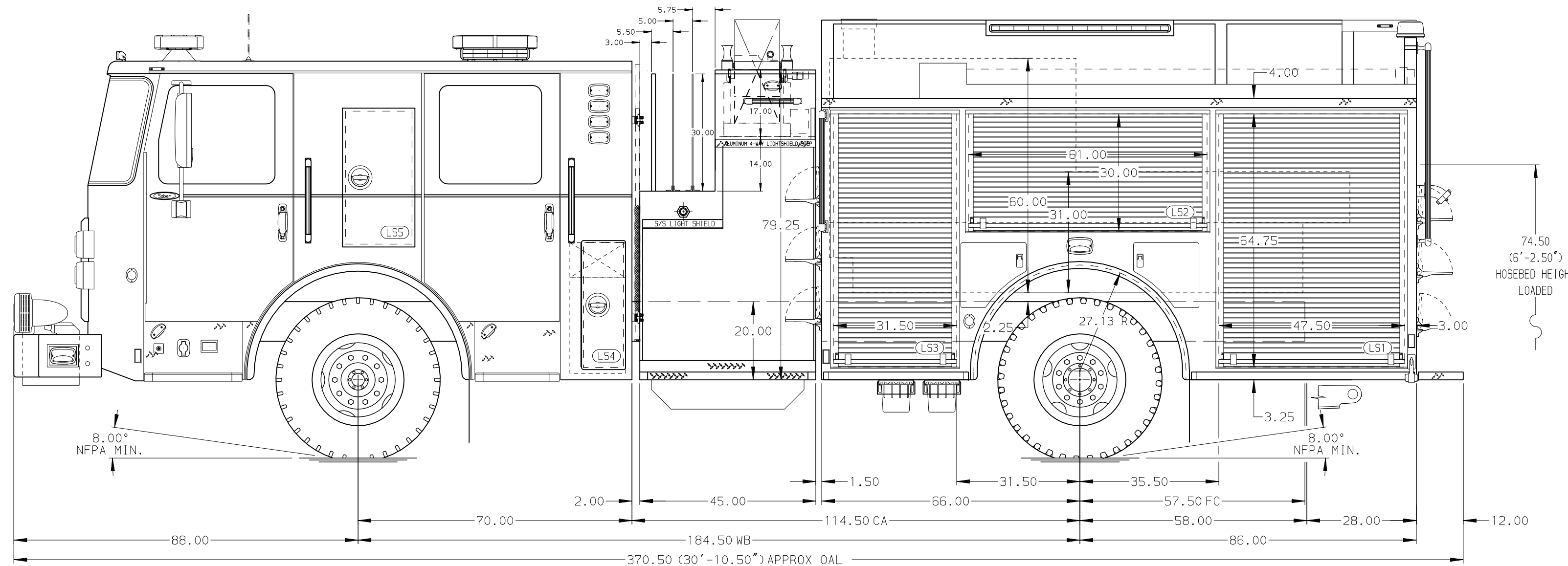


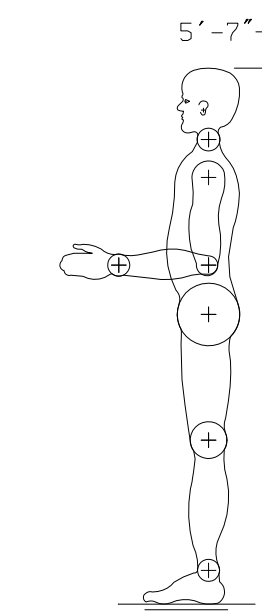
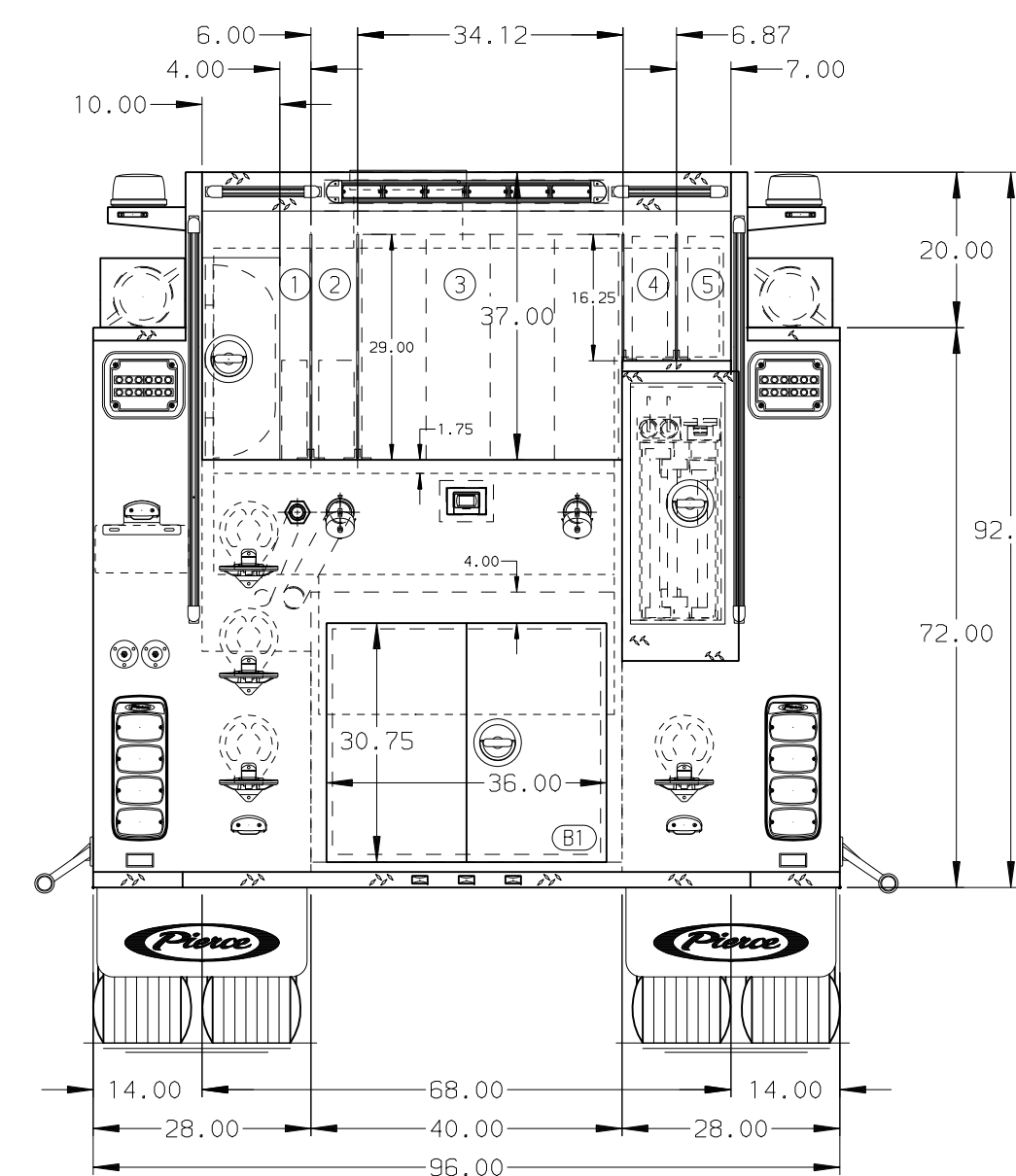
116.00
(9'-8")
APPROX
O.A.H.



- HOSEBED CAPACITIES
- ① 200' OF 1.75" MERCEDES AQUAFLOW HOSE
 - ② 200' OF 2.50" MERCEDES AQUAFLOW HOSE
 - ③ 1500' OF 5.00" MERCEDES MEGAFLOW HOSE
 - ④ 250' OF 2.50" MERCEDES AQUAFLOW HOSE
 - ⑤ 250' OF 2.50" MERCEDES AQUAFLOW HOSE



74.50
(6'-2.50")
HOSEBED HEIGHT
LOADED



ALUMINUM BODY

MAXIMUM O.A.H. 116.00"

NOTE
DIMENSIONS SHOWN ARE APPROXIMATE
AND ARE SUBJECT TO MINOR DEVIATIONS
AS MAY OCCUR OR BE NECESSARY IN
CONSTRUCTION.
MINOR DETAILS NOT SHOWN.

CUSTOMER APPROVAL

APPROVED BY: _____			
DATE: _____			
REV	DATE	BY	CH
-	-	-	-



TITLE 1750-D-1000 GALLON WATER TANK, 152" PUMPER BODY
(3) CROSSLAYS, BOOSTER REEL, LADDERS BTWN TANK & SS
FOR PLAINS TOWNSHIP FIRE DEPARTMENT
GLICK FIRE EQUIPMENT CO., INC.

BID# 697
DAVE ROBERTS

DWG NO. 05-0440

JOB NO.	PRELIM
SCALE	DATE
1:24	29APR22
DRAWN BY	CHECKED BY
JUS	NPA
SHEET SIZE	SHEET NO.
D	1 OF 1