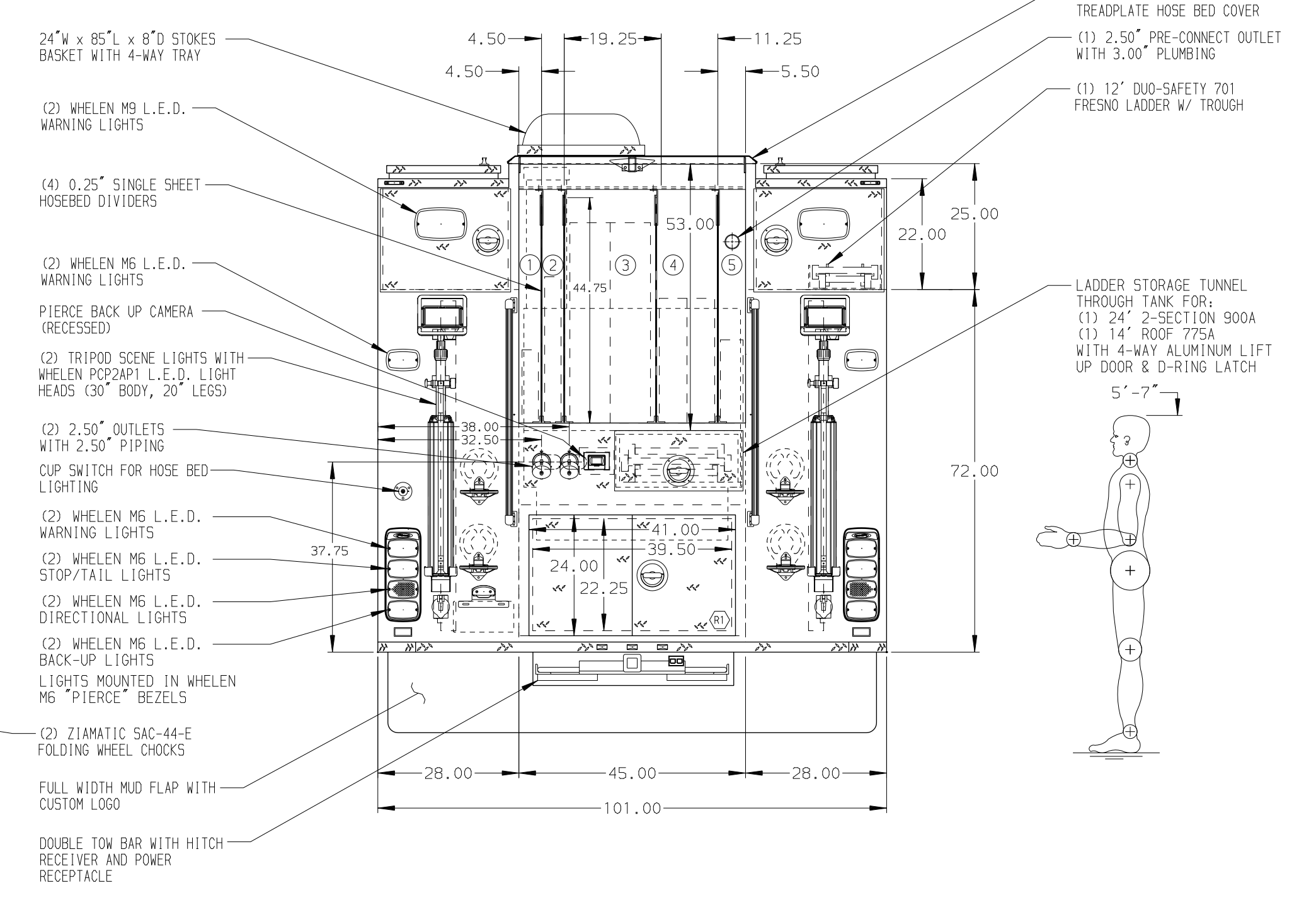
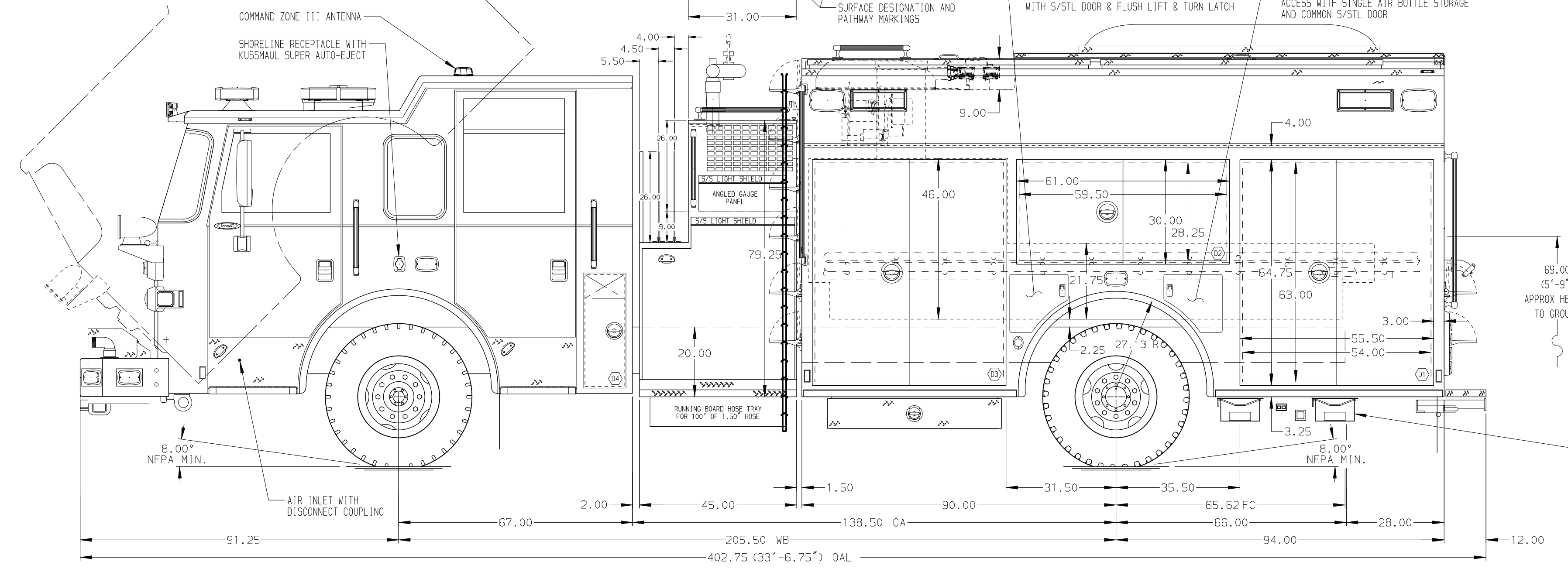


- HOSEBED CAPACITIES
- ① 200' OF 1.75" D.J. POLY HOSE
  - ② 400' OF 1.75" D.J. POLY HOSE
  - ③ 1000' OF 5.00" D.J. POLY HOSE
  - ④ 600' OF 3.00" D.J. POLY HOSE
  - ⑤ 200' OF 2.50" D.J. POLY HOSE



ALUMINUM BODY

NOTE  
DIMENSIONS SHOWN ARE APPROXIMATE AND ARE SUBJECT TO MINOR DEVIATIONS AS MAY OCCUR OR BE NECESSARY IN CONSTRUCTION. MINOR DETAILS NOT SHOWN.

- 1. BATTERY CHARGER INDICATOR LOCATED NEAR DRIVER'S SEAT RISER WITH BRACKET
- 2. DUAL L.E.D. LIGHT STRIPS LOCATED IN HOSE BED
- 3. TWO 15/20A 120V DUPLEX RECEPTACLES LOCATED BEHIND DRIVER'S & OFFICER'S SEATS
- 4. WARN 9000\* PORTABLE WINCH
- 5. BATTERY CHARGER LOCATED BEHIND DRIVER'S SEAT

REV	DATE	BY	CH	ARROW	XT
180CT18	GVH	DTs			
170CT18	GVH	DTs			
14SEP18	GVH	DTs			

		JOB NO.	32607
		SCALE	DATE
TITLE	1500-D-500P, 184", HEAVY DUTY RESCUE PUMPER		
FOR	(3) X-LAYS, DELUGE, GENERATOR, LIGHT TOWER, REELS		
MAKE	CORNWELLS FIRE COMPANY #1		
MODEL	BENSALEM, PENNSYLVANIA		
DWG NO.	32607AD-SH1		
CHECKED BY	NPA	CHECKED BY	12JUN18
SHEET SIZE	D	SHEET NO.	1 OF 2