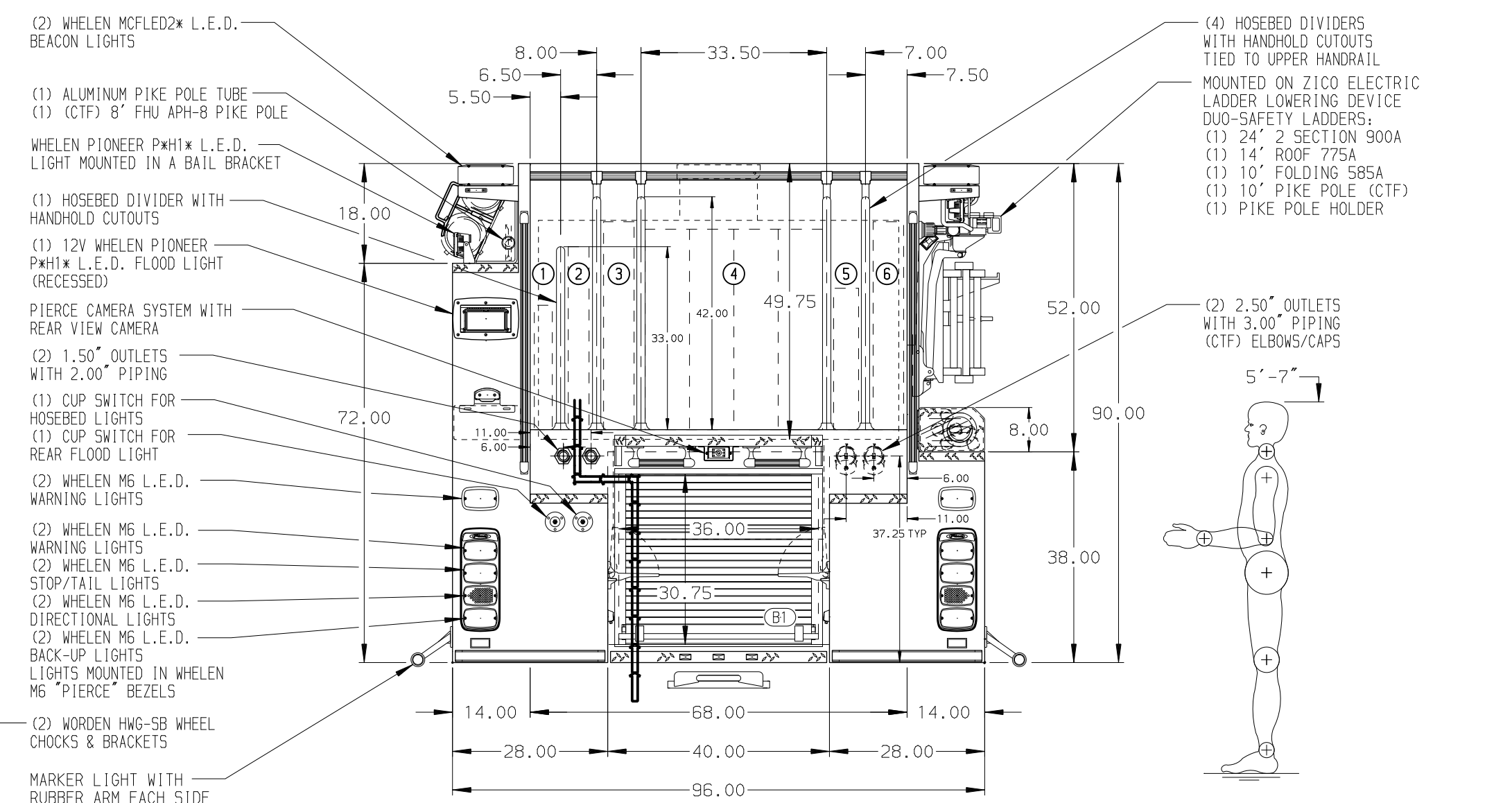
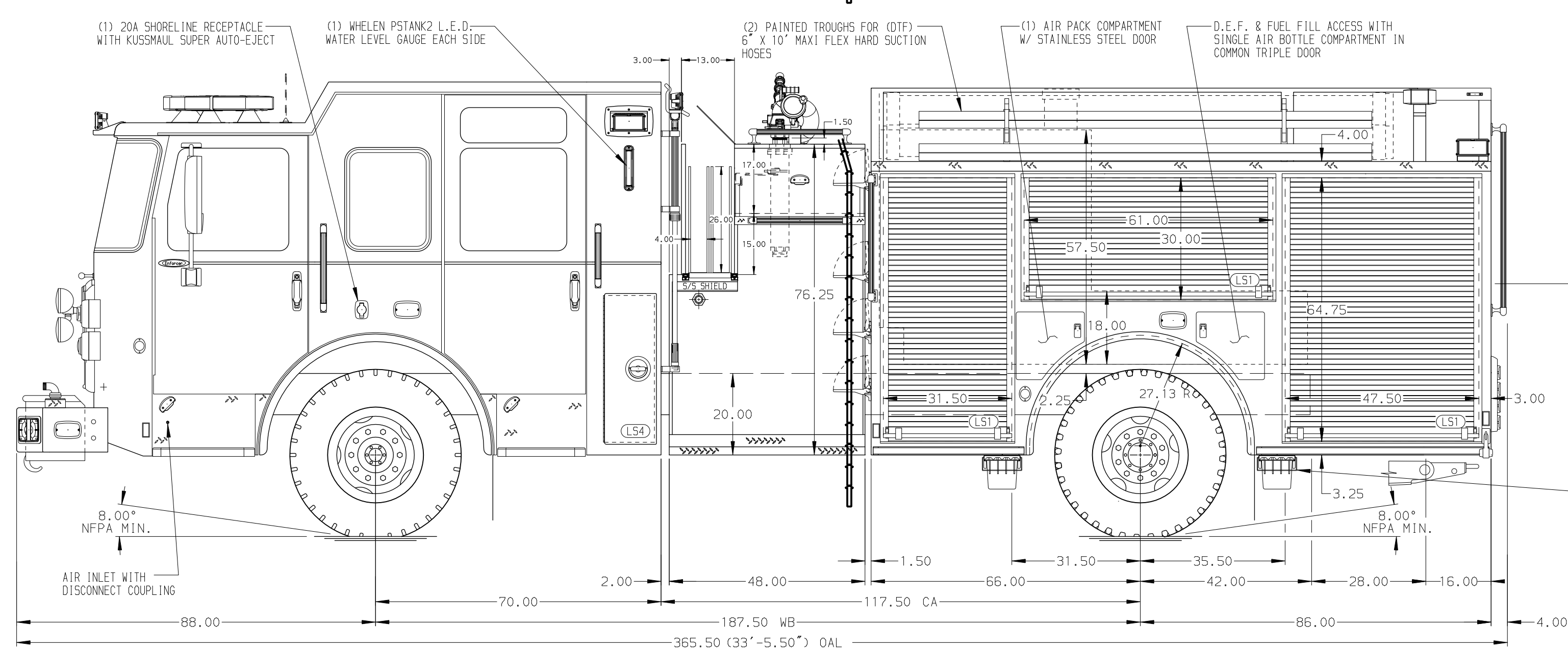


- HOSEBED CAPACITIES**
- ① 200' OF 1.75" D.J. HOSE
 - ② 300' OF 2.00" D.J. HOSE
 - ③ 300' OF 3.00" D.J. HOSE
 - ④ 1200' OF 5.00" D.J. HOSE
 - ⑤ 200' OF 2.50" D.J. HOSE
 - ⑥ 300' OF 3.00" D.J. HOSE



ALUMINUM BODY

SIDE ROLL AND FRONTAL IMPACT PROTECTION

NOTE
 DIMENSIONS SHOWN ARE APPROXIMATE AND ARE SUBJECT TO MINOR DEVIATIONS AS MAY OCCUR OR BE NECESSARY IN CONSTRUCTION.
 MINOR DETAILS NOT SHOWN.

1. BATTERY CHARGER & AIR COMPRESSOR INSTALLED BEHIND DRIVER & OFFICER SEATS
2. BATTERY CHARGER INDICATOR LOCATED ON DRIVER'S SEAT RISER
3. AMOR LUMBAR H20 L.E.D. LIGHTING STRIPS IN CARGO AREAS
4. FIVE FULL WIDTH/DEPTH ADJUSTABLE SHELVES LOCATED PER SHOP ORDER
5. ONE SLIDE-OUT ADJUSTABLE TRAY LOCATED PER SHOP ORDER
6. ONE SWING-OUT TOOLBOARD LOCATED PER SHOP ORDER
7. 12" X 12" NOTCH CUTOUT AT THE TOP FRONT OF EACH HOSEBED DIVIDER
8. FOUR 15/20A 120V DUPLEX 4-PLACE RECEPTACLES IN CAB

CUSTOMER APPROVAL

APPROVED BY: _____
 DATE: _____



JOB NO. 37859

SCALE 1:24 DATE

CHASSIS DATA	TITLE	1500-D-750P, 152" FH FDLR D5 / LOW FDLR PS	DRAWN BY	JWO	09NOV22
	FOR	(2) CROSSLAYS, DELUGE, Z1CO LADDER RACK	CHECKED BY	CDU	11NOV22
PIERCE	FOR	WEST MANCHESTER TOWNSHIP YORK, PENNSYLVANIA	SHEET SIZE	D	SHEET NO. 1 OF 1
MODEL	DWG NO.	37859AD			
ENFORCER					