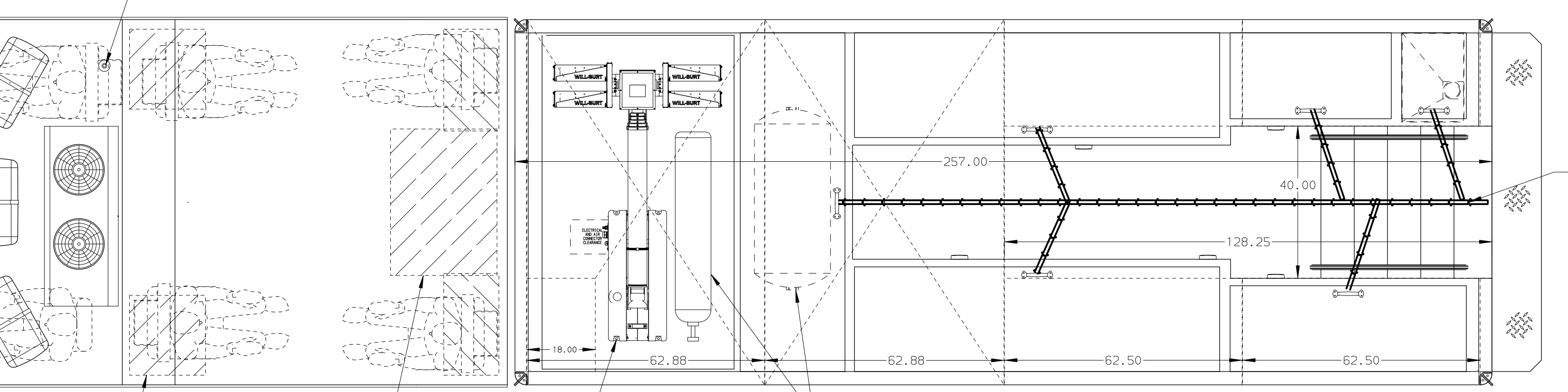
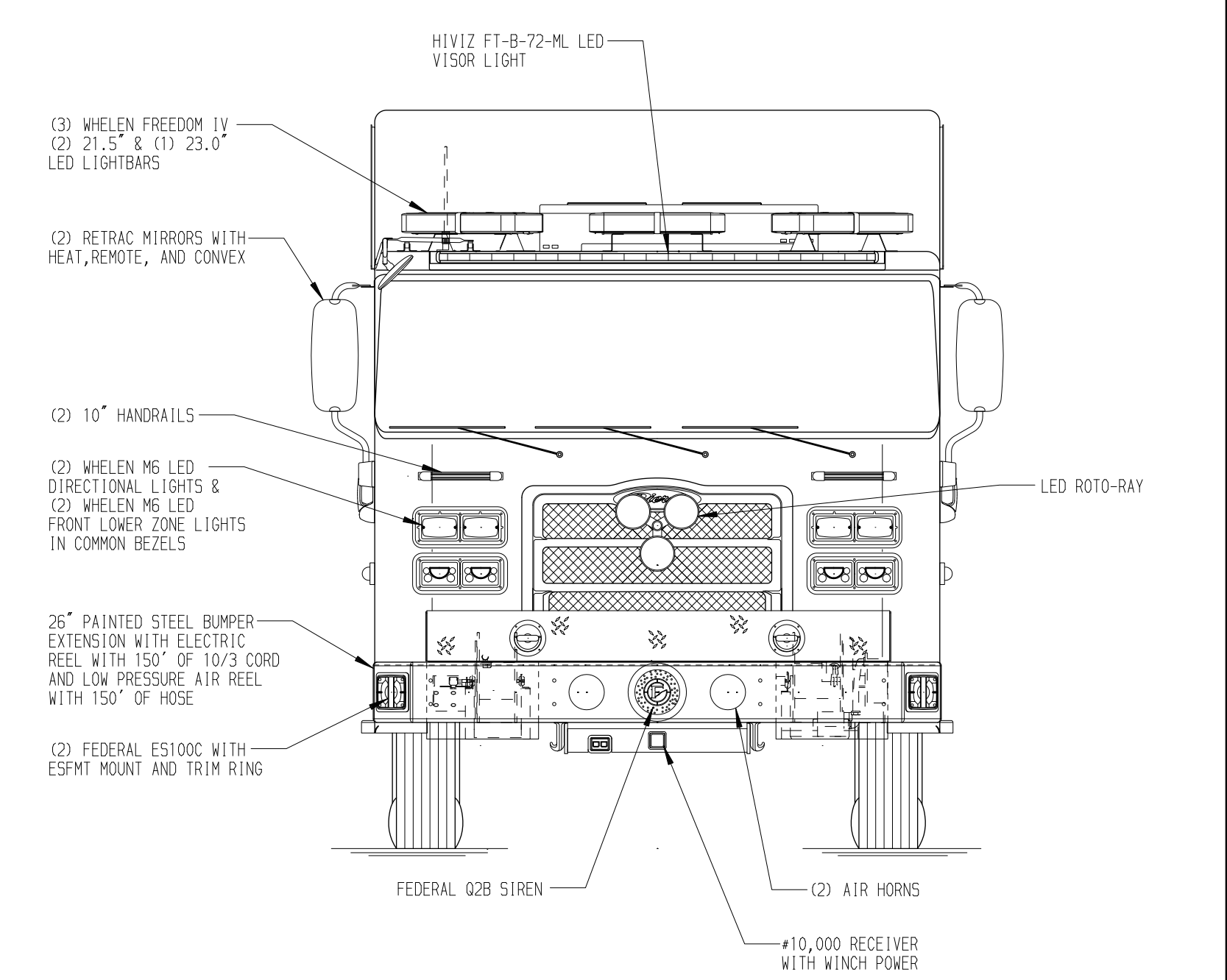
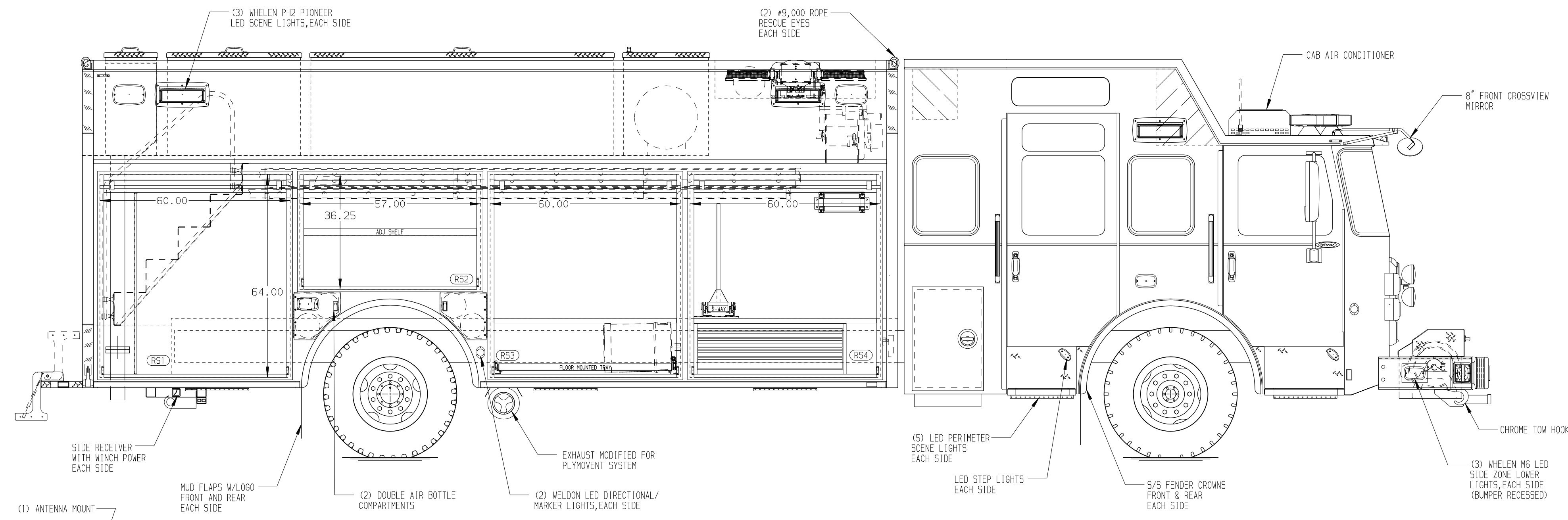
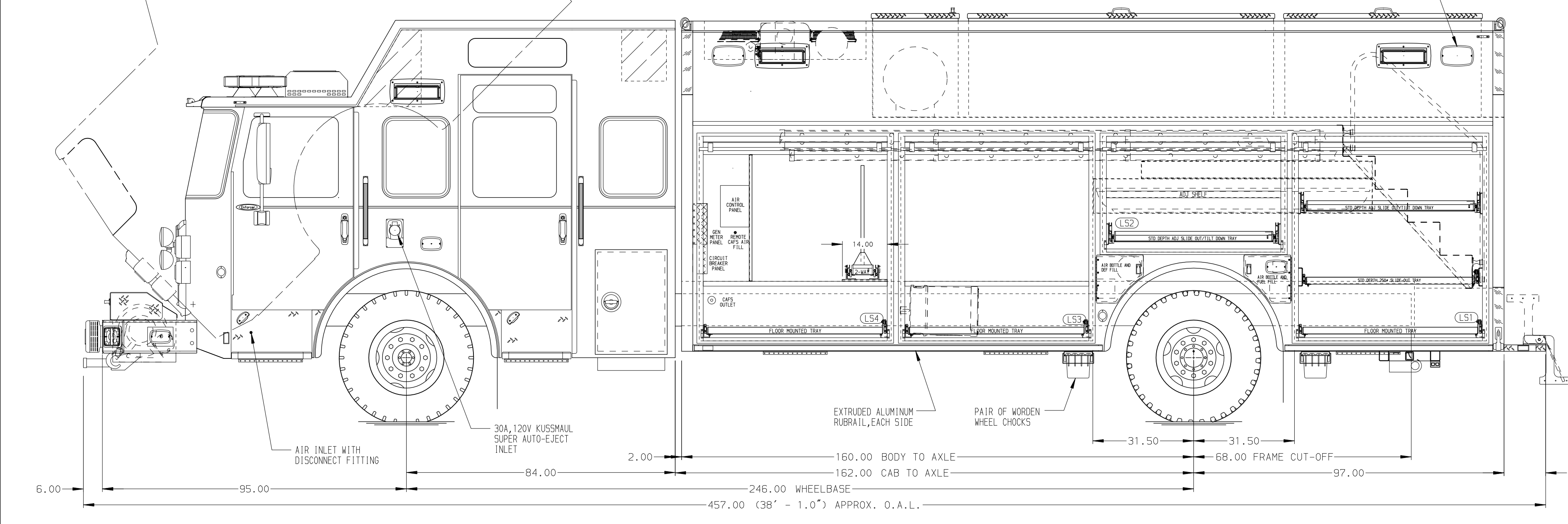


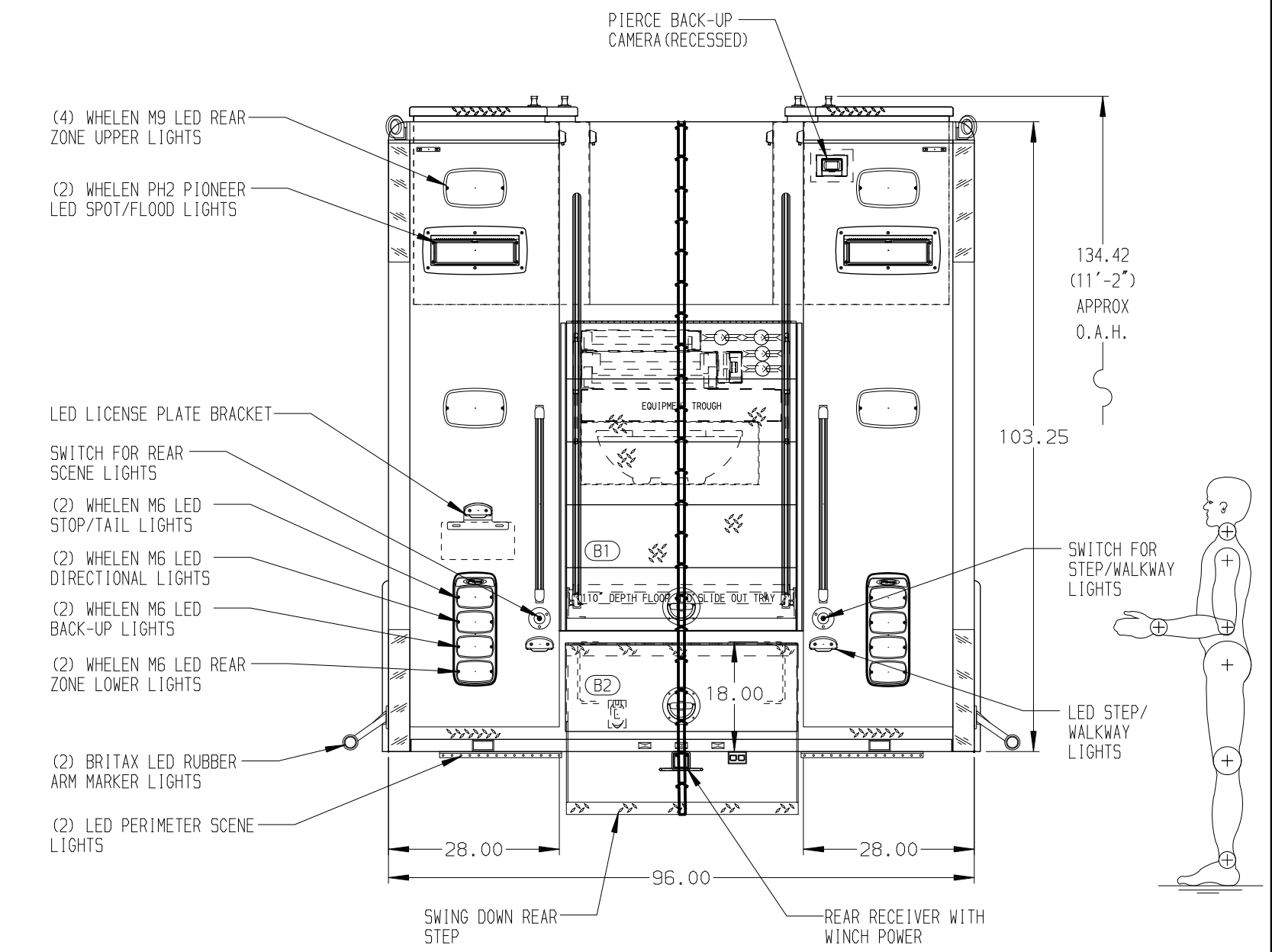
- RIGHT SIDE COMPARTMENTS CONTAIN THE FOLLOWING:**
- COMPARTMENT RS1 CONTAINS:
    - (1) OIL DRY HOPPER
    - (1) VERTICAL COMPARTMENT DIVIDER
  - COMPARTMENT RS2 CONTAINS:
    - (1) STD DEPTH ADJ SHELF
  - COMPARTMENT RS3 CONTAINS:
    - (1) FLOOR MOUNTED TRAY W/SIDE SLIDES
    - (1) HORIZONTAL FLOOR EXTENSION
  - COMPARTMENT RS4 CONTAINS:
    - (1) CAB LIFT CONTROLLER
    - (1) HORIZONTAL FLOOR EXTENSION
    - (1) 4-DRAWER TECH CABINET
    - (1) ADJ TWO WAY SLIDE OUT TOOLBOARD
    - (1) ELECTRIC CORD REEL WITH 200' OF 10/3 YELLOW CORD



- REAR COMPARTMENT CONTAINS THE FOLLOWING:**
- COMPARTMENT B1 CONTAINS:
    - (1) BACK FOR THE FOLLOWING:
      - (1) 24\"
      - (1) 14\"
      - (1) 10\"
      - (4) PIKE POLES
      - (1) STOKES BASKET
      - (1) EQUIPMENT STORAGE TROUGH
      - (1) 110\"
  - COMPARTMENT B2 CONTAINS:
    - (1) 15/20A, 120V DUPLEX RECEPTACLE



- LEFT SIDE COMPARTMENTS CONTAIN THE FOLLOWING:**
- COMPARTMENT LS1 CONTAINS:
    - (1) FLOOR MOUNTED TRAY W/SIDE SLIDES
    - (1) STD DEPTH ADJ SLIDE OUT/TILT TRAY
    - (1) STD DEPTH ADJ SLIDE OUT/TILT TRAY
  - COMPARTMENT LS2 CONTAINS:
    - (1) STD DEPTH ADJ SLIDE OUT/TILT TRAY
    - (1) STD DEPTH ADJ SHELF
  - COMPARTMENT LS3 CONTAINS:
    - (1) FLOOR MOUNT TRAY W/SIDE SLIDES
    - (1) HORIZONTAL FLOOR EXTENSION
  - COMPARTMENT LS4 CONTAINS:
    - (1) HORIZONTAL FLOOR EXTENSION
    - (1) CAFS SYSTEM CONTROL PANEL
    - (1) CIRCUIT BREAKER PANEL
    - (1) GENERATOR METER PANEL
    - (1) NIGHTSCAN CONTROLLER
    - (1) RSP AIR CONTROL PANEL
    - (1) FLOOR MOUNTED TRAY W/SIDE SLIDES
    - (1) 15/20A, 120V DUPLEX RECEPTACLE
    - (1) ADJ TWO WAY SLIDE OUT TOOLBOARD
    - (1) L SHAPED VERTICAL COMP. DIVIDER



**NOTE**  
DIMENSIONS SHOWN ARE APPROXIMATE AND ARE SUBJECT TO MINOR DEVIATIONS AS MAY OCCUR OR BE NECESSARY IN CONSTRUCTION. MINOR DETAILS NOT SHOWN.

- NOTES:**
- A HARRISON 25kW SINGLE PHASE PTO DRIVEN GENERATOR WITH A 5/8 SPLASH GUARD LOCATED BETWEEN THE FRAME RAILS
  - (2) #9,000 RECEIVER STYLE ROPE ANCHORS
  - WARN #10,000 PORTABLE RECEIVER STYLE WINCH
  - POLISHED 5/8\"/>

| CLEAR DOOR WIDTH KEY      |         | CHASSIS DATA |            |
|---------------------------|---------|--------------|------------|
| AMOR ROLL UP DOORS:       | -2 1/4" | 130C25       | DHE AZU    |
| CURTAIN ROLL UP DOORS:    | -2 1/2" | 01JUL25      | SHD AZU    |
| PIERCE DOUBLE LIP DOORS:  | -4 1/4" | 08MAY25      | DHE GF1    |
| PIERCE LIFT-UP LAP DOORS: | -1 1/2" | REV          | DATE BY CH |
| (EX: 60\"/>               |         |              |            |

|         |  |            |             |
|---------|--|------------|-------------|
|         |  | JOB NO.    | 41258       |
|         |  | SCALE      | DATE        |
| TITLE   | HEAVY DUTY RESCUE NON-WALKIN                           | DRAWN BY   | DHE 04MAR25 |
| FOR     | WEST MANCHESTER TOWNSHIP GLICK FIRE EQUIPMENT CO, INC. | CHECKED BY | GF1 07MAR25 |
| DWG NO. | 41258AD  | SHEET SIZE | SHEET NO.   |
|         |  | D          | 1 OF 1      |

SIDE ROLL AND FRONTAL IMPACT PROTECTION