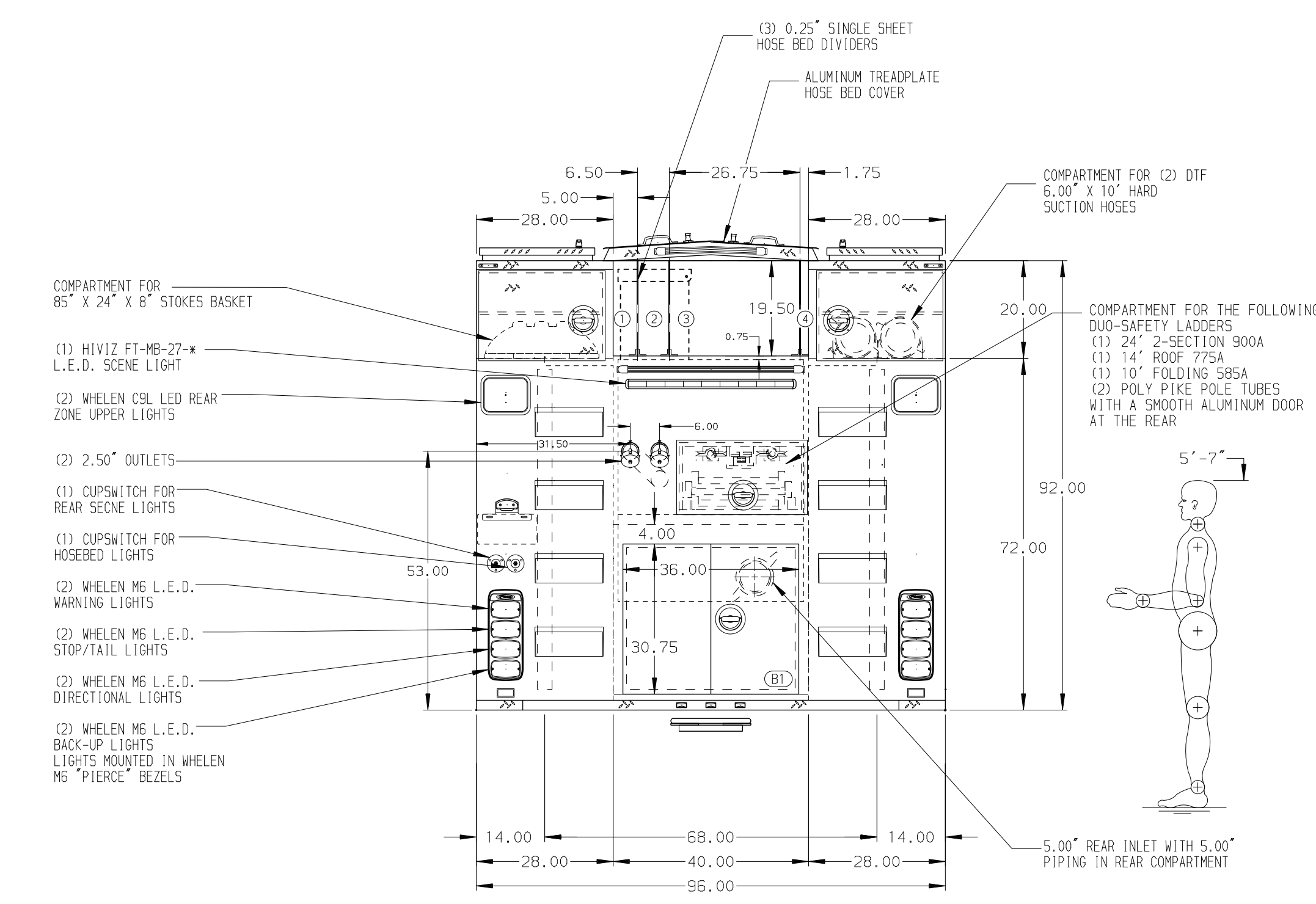
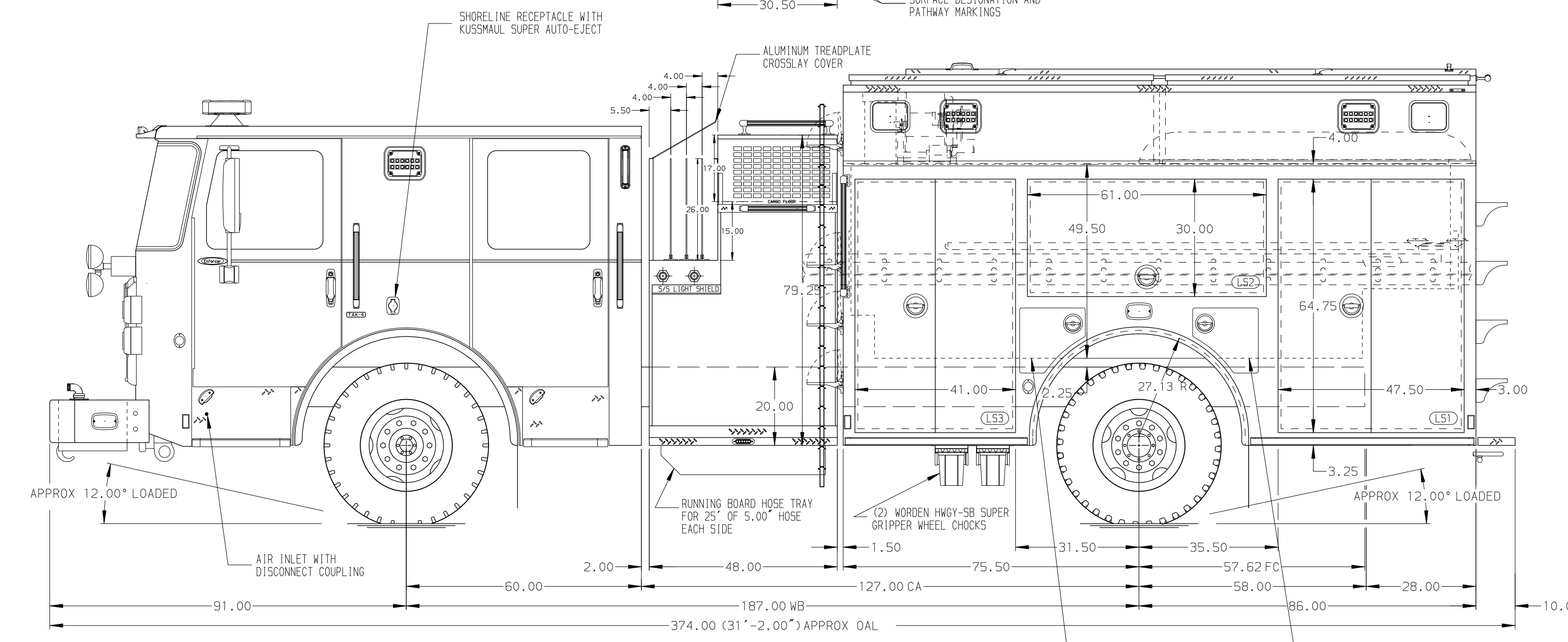


- HOSEBED CAPACITIES
- ① 500' OF 2.50" AQUAFLOW HOSE
  - ② 1000' OF 1.75" AQUAFLOW HOSE
  - ③ 1000' OF 4.00" KEY ECO-10 HOSE
  - ④ OPEN



ALUMINUM BODY    MAXIMUM O.A.L.: 374.00"    MAXIMUM O.A.H: 122.00"

SIDE ROLL AND FRONTAL IMPACT PROTECTION

		JOB NO.	36305
		SCALE	1:24
<b>Pierce MANUFACTURING INC.</b>		TITLE	1500-D-750G TANK, 161" RESCUE BODY, LADDER TUNNEL (4) CROSSLAYS, GENERATOR, BOOSTER REEL, DELUGE
		FOR	CITY OF WASHINGTON FIRE DEPARTMENT WASHINGTON, PENNSYLVANIA
DWG NO. <b>36305AD</b>		CHECKED BY	CDU
		SHEET SIZE	D
DATE BY CH ENFORCER		DRAWN BY	JUS
		SHEET NO.	1 OF 1

**NOTE**  
DIMENSIONS SHOWN ARE APPROXIMATE AND ARE SUBJECT TO MINOR DEVIATIONS AS MAY OCCUR OR BE NECESSARY IN CONSTRUCTION. MINOR DETAILS NOT SHOWN.

1. ONSPOT AUTOMATIC TIRE CHAINS TO BE PROVIDED AT REAR
2. BATTERY CHARGER LOCATED IN CAB BEHIND DRIVER SEAT
3. BATTERY CHARGER INDICATOR LOCATED ON DRIVER'S SEAT RISER
4. DUAL L.E.D. LIGHT STRIPS LOCATED BELOW HOSE BED COVER
5. PARTITION BETWEEN COMPARTMENTS LS1/B1 AND RS1/B1
6. CIRCUIT BREAKER PANEL IN COMPARTMENT LS3
7. ONE HANNAY ELECTRIC REWIND CORD REEL MODEL 1618-17-18 LOCATED IN DRIVER SIDE AND PASSENGER SIDE HATCH COMPARTMENTS
8. 120V DUPLEX RECEPTACLE LOCATED IN COMPARTMENTS LS1, LS2, LS3, RS1, RS2, RS3, ONE AND IN CAB
9. AIR OUTLET WITH SHUT OFF VALVE LOCATED AT DRIVER'S SIDE PUMP PANEL
10. KUSSMAUL AIR COMPRESSOR LOCATED BEHIND THE OFFICER'S CAB SEAT

REV	DATE	BY	CH	ENFORCER
220C21	JUS	DTS		CHASSIS DATA
28SEP21	JUS	DTS		MAKE
23AUG21	JUS	DTS		PIERCE
03JUN21	CDU	PHA		MODEL