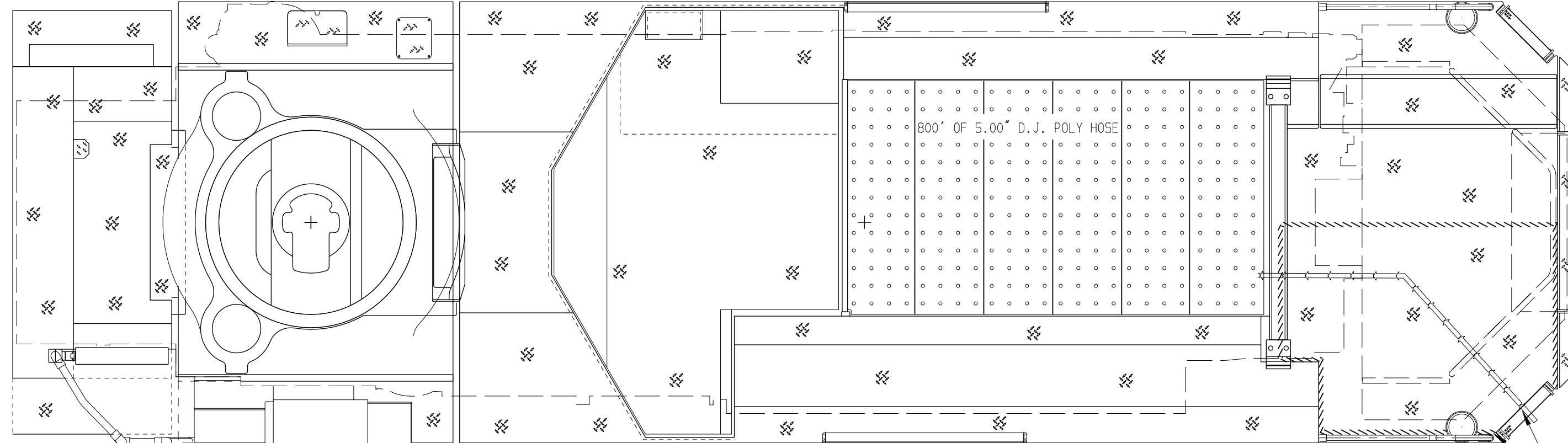
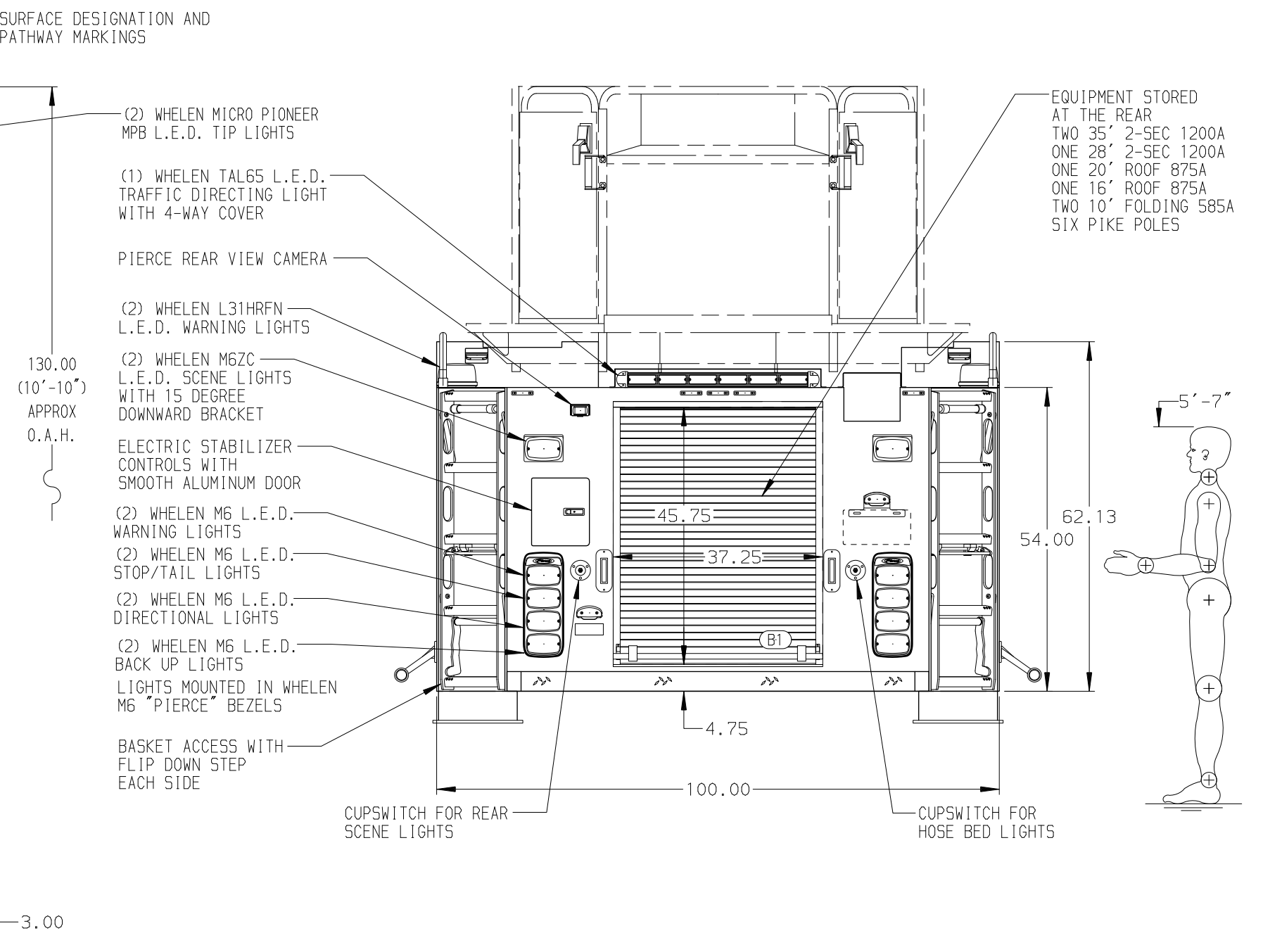
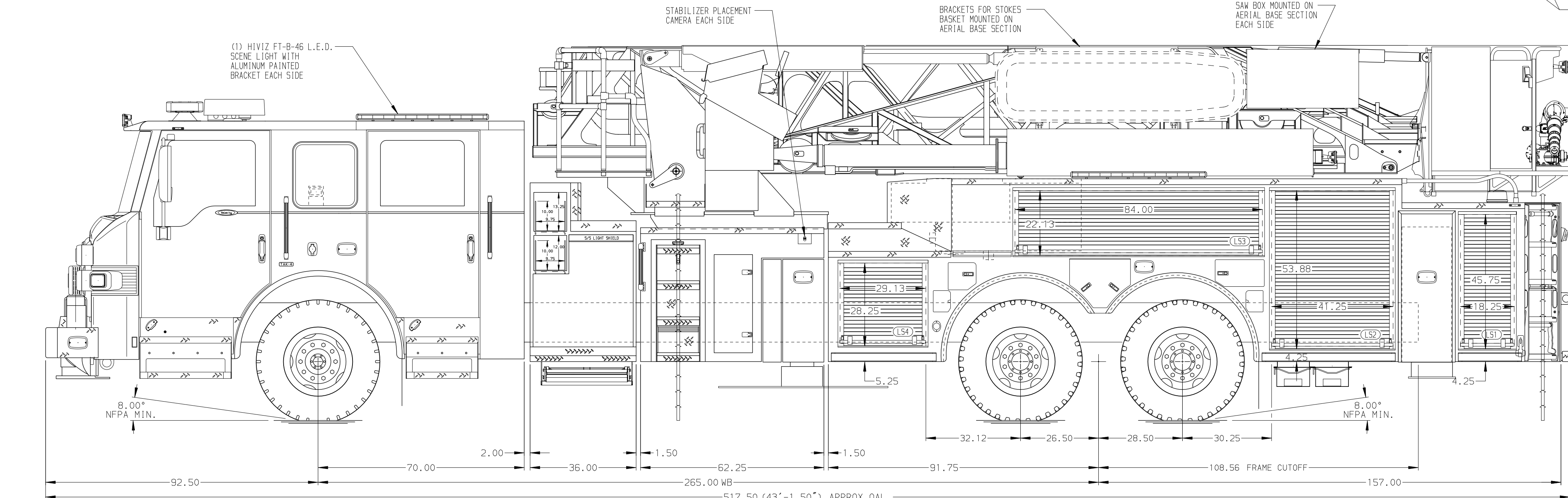


- (2) WHELEN M6 L.E.D. STABILIZER WARNING LIGHTS EACH SIDE
- (1) WHELEN MICRO PIONEER MPB L.E.D. TRACKING LIGHT EACH SIDE
- (1) DOUBLE AIR BOTTLE COMPARTMENT EACH SIDE
- COMPARTMENT FOR (3) AIR BOTTLES EACH SIDE
- (1) AIR BOTTLE COMPARTMENT EACH SIDE

- WHELEN FREEDOM IV 72" L.E.D. LIGHTBAR
- FRONT CROSS VIEW 10.50' CONVEX MIRROR
- RETRACT HEATED/REMOTE CONTROL MIRRORS WITH CONVEX SECTION AND MARKER LIGHT
- (2) WHELEN M6 L.E.D. WARNING LIGHTS IN A COMMON BEZEL EACH SIDE
- (1) WHELEN PIONEER L.E.D. VISOR LIGHT
- (1) FEDERAL Q2B SIREN RECESSED IN GRILLE
- (3) WHELEN M6 L.E.D. WARNING LIGHTS EACH SIDE
- (2) GROVER AIR HORNS
- (1) WHELEN S431SP SPEAKER WITH 5/STL GRILLE



BODY 100' Ascendant Aerial Tower Alum Body COMPT, DRIVER SIDE Full Height RollUp Doors COMPT, PASSENGER SIDE Full Height RollUp Doors	WATER TANK 300 Galon Poly Water Tank Foam System Foam System Not Required Foam Cell Foam Cell Not Required
---	--



- (1) HI-VIZ FT-B-46 L.E.D. SCENE LIGHT WITH ALUMINUM PAINTED BRACKET EACH SIDE
- (2) WHELEN MICRO PIONEER MPB L.E.D. TIP LIGHTS
- (1) WHELEN TALE5 L.E.D. TRAFFIC DIRECTING LIGHT WITH 4-WAY COVER
- PIERCE REAR VIEW CAMERA
- (2) WHELEN L31HRFN L.E.D. WARNING LIGHTS
- (2) WHELEN M6ZC L.E.D. SCENE LIGHTS WITH 15 DEGREE DOWNWARD BRACKET
- (2) WHELEN M6 L.E.D. WARNING LIGHTS
- (2) WHELEN M6 L.E.D. STOP/TAIL LIGHTS
- (2) WHELEN M6 L.E.D. DIRECTIONAL LIGHTS
- (2) WHELEN M6 L.E.D. BACK UP LIGHTS
- LIGHTS MOUNTED IN WHELEN M6 "PIERCE" BEZELS
- BASKET ACCESS WITH FLIP DOWN STEP EACH SIDE
- CUPSWITCH FOR REAR SCENE LIGHTS
- CUPSWITCH FOR HOSE BED LIGHTS
- EQUIPMENT STORED AT THE REAR
TWO 35" 2-SEC 1200A
ONE 28" 2-SEC 1200A
ONE 20" ROOF 875A
ONE 16" ROOF 875A
TWO 10" FOLDING 565A
SIX PIKE POLES

CHASSIS Velocity Chassis (Big Block) ENGINE 600HP Cummins X15 Engine	CAB 7000 Velocity FR Cab BUMPER 15" Extended Painted Aluminum	AXLE, FRONT, CUSTOM 24,000 Lb TAK-4 Axle AXLE, REAR 54,000 Lb Meritor Axle	TRANSMISSION Allison 5th Gen, 4500 EV5 P	PUMPHOUSE 36" Control Zone Side Mount PUMP 2000 GPM Waterous S100	CROSSLAYS, 1.50" (2) 1.50", With Trays, 200' CROSSLAYS, 2.50" 2.50" Crosslay Not Required	SPEEDLAYS Speedlays Not Required GENERATOR Generator Not Required	SAFETY Side Roll and Frontal Impact Protection	CUSTOMER APPROVAL APPROVED BY: _____ DATE: _____		JOB NO. 35443 SCALE 1:24 DATE _____
NOTE DIMENSIONS SHOWN ARE APPROXIMATE AND ARE SUBJECT TO MINOR DEVIATIONS AS MAY OCCUR OR BE NECESSARY IN CONSTRUCTION. MINOR DETAILS NOT SHOWN.										
<ol style="list-style-type: none"> SHORELINE RECEPTACLE WITH KUSSMAUL SUPER AUTO-EJECT LOCATED ON DRIVER SIDE OF THE CAB AIR INLET WITH DISCONNECT COUPLING IN THE DRIVER SIDE STEPWELL BATTERY CHARGER LOCATED BEHIND DRIVER'S SEAT BATTERY CHARGER INDICATOR BEHIND DRIVER'S SEAT DISPLAYED THROUGH WINDOW FOUR ADJUSTABLE FULL WIDTH/FULL DEPTH SHELVES IN COMPARTMENTS PER SHOP ORDER FOUR SLIDE-OUT FLOOR MOUNTED TRAYS IN COMPARTMENTS PER SHOP ORDER L.E.D. LIGHT STRIPS LOCATED IN THE HOSE BED PER SHOP ORDER NON-RAISED AERIAL PEDESTAL DC POWER TO AERIAL TIP 3-IN-1 LYFECOMBO BRACKETS AT AERIAL BASKET 										
REV	DATE	BY	CH	VELOCITY	TITLE	FOR	DWG NO.	35443AD		