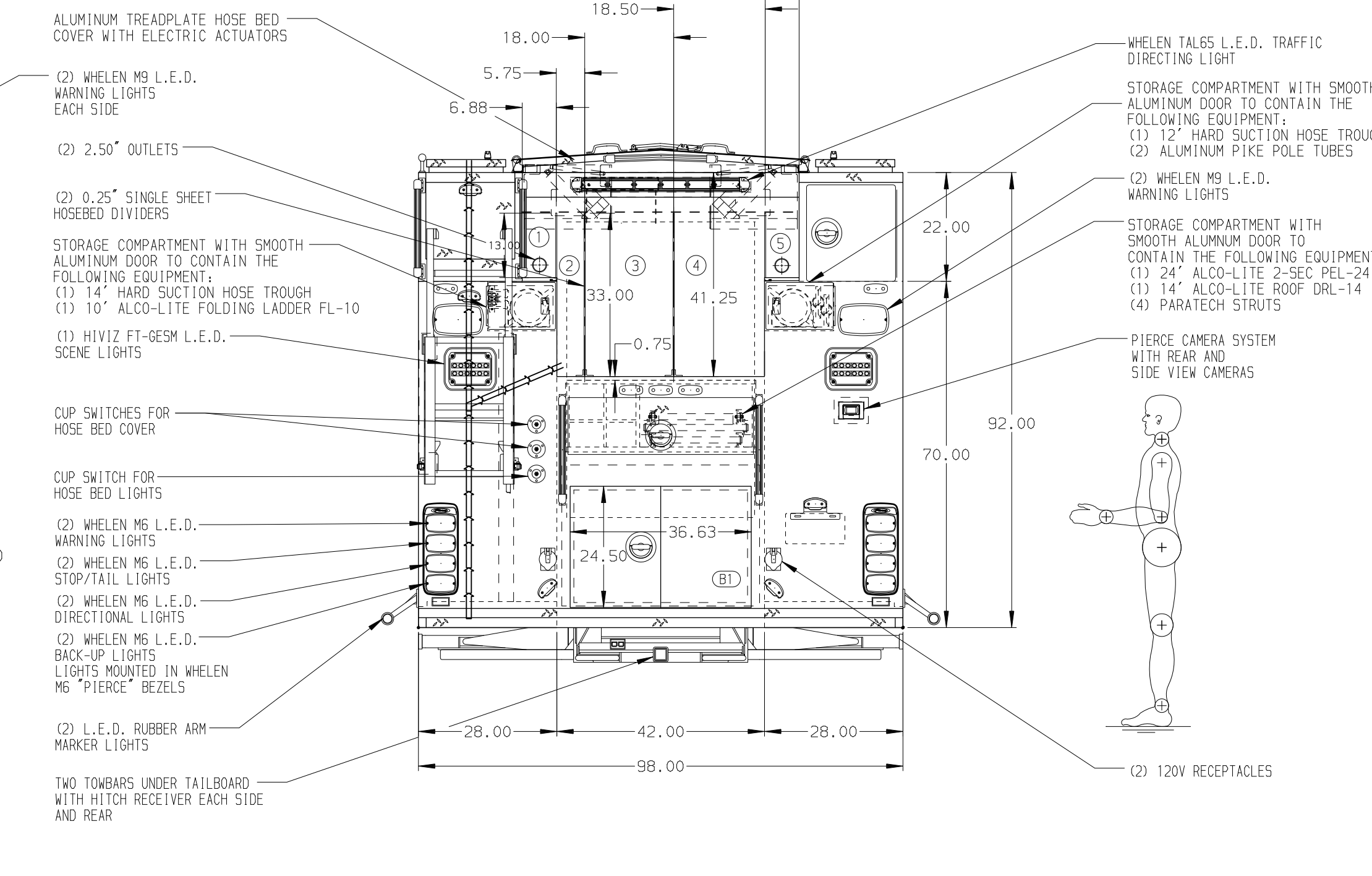
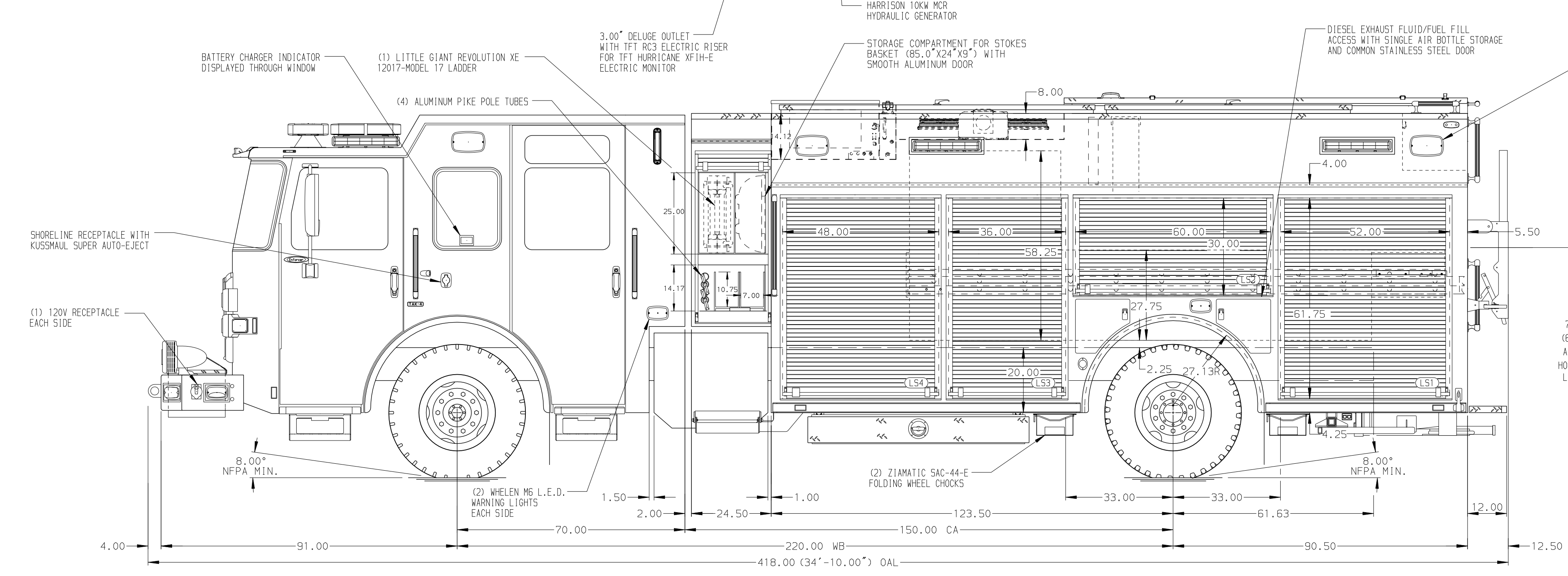


- HOSEBED CAPACITIES**
- ① 200' OF 2.00" MERCEDES AQUAFLOW HOSE
  - ② 400' OF 3.00" MERCEDES AQUAFLOW HOSE
  - ③ 500' OF 5.00" MERCEDES MEGAFLOW HOSE
  - ④ 500' OF 5.00" MERCEDES MEGAFLOW HOSE
  - ⑤ 200' OF 3.00" MERCEDES AQUAFLOW HOSE



ALUMINUM BODY    MAXIMUM O.A.L. 432.00"    MAXIMUM O.A.H. 132.00"    SIDE ROLL AND FRONTAL IMPACT PROTECTION

**NOTE**  
DIMENSIONS SHOWN ARE APPROXIMATE AND ARE SUBJECT TO MINOR DEVIATIONS AS MAY OCCUR OR BE NECESSARY IN CONSTRUCTION. MINOR DETAILS NOT SHOWN.

- 1. ONSPOT AUTOMATIC TIRE CHAINS TO BE PROVIDED AT REAR
- 2. ONE 9000# WARN PORTABLE RECEIVER TYPE WINCH
- 3. BATTERY CHARGER LOCATED BEHIND DRIVER SEAT
- 4. DUAL L.E.D. LIGHT STRIPS LOCATED IN HOSE BED
- 5. AIR INLET WITH DISCONNECT COUPLING AND SHUT OFF IN D.S. STEPWELL

REV	DATE	BY	CH	ENFORCER
09APR21	JWO	NPE		CHASSIS DATA
24MAR21	JWO	NPE		MAKE
23MAR21	JWO	NPE		PIERCE
08MAR21	JWO	NPE		MODEL
02FEB21	KLE	KW1		

		JOB NO.	35688
		SCALE	01-02
<b>1500-D-500 GAL POLY, 214" PUC RESCUE LADDERS THRU TANK, (2) CROSSLAYS, DELUGE, GENERATOR LOWER MACUNGIE FIRE DEPARTMENT WESCOVILLE, PENNSYLVANIA</b>		DATE	
		DRAWN BY	JWO
<b>35688AD-SH1</b>		CHECKED BY	NPE
		DATE	230CT20
DWG NO.		SHEET SIZE	D
		SHEET NO.	1 OF 1