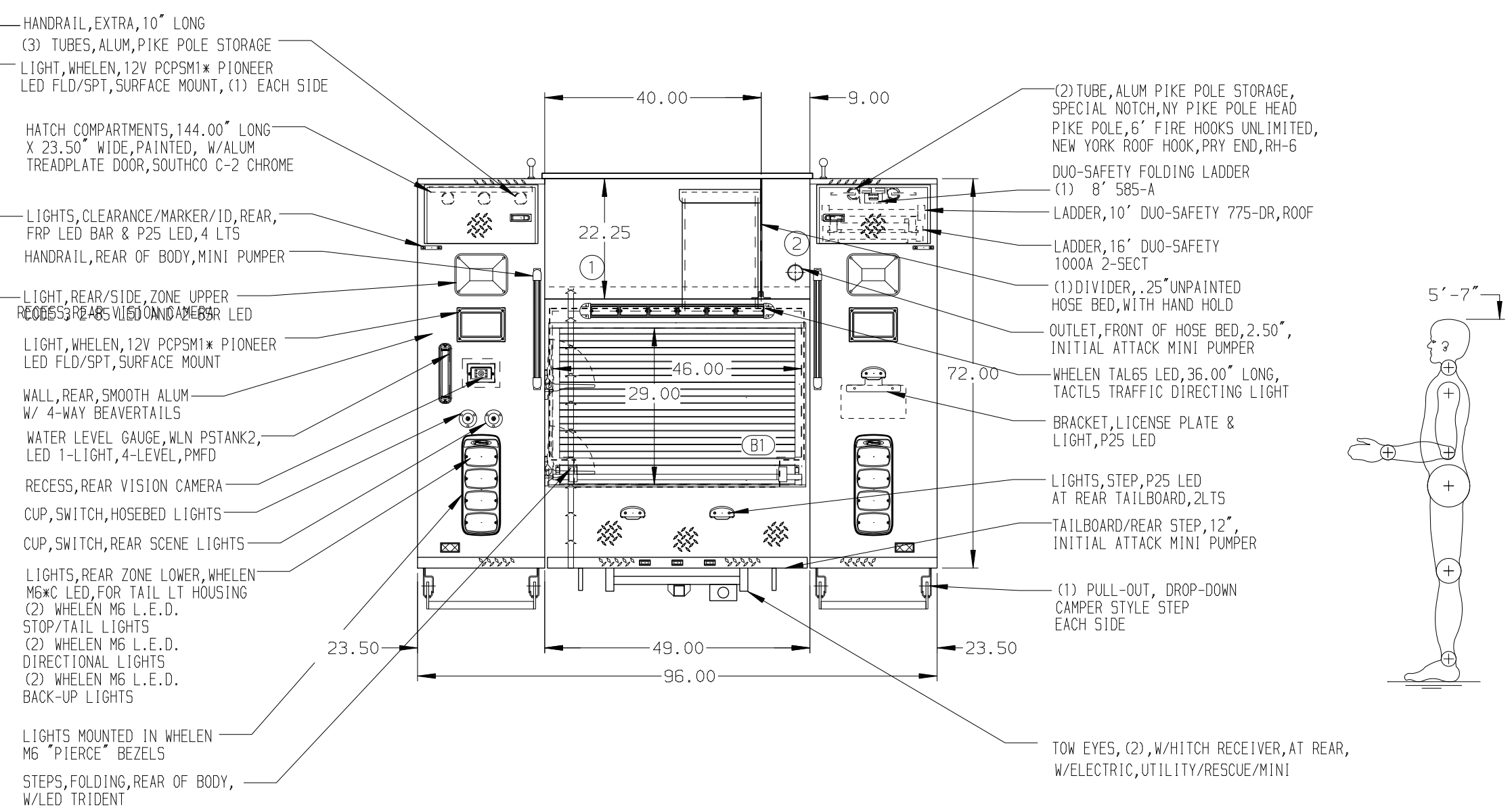
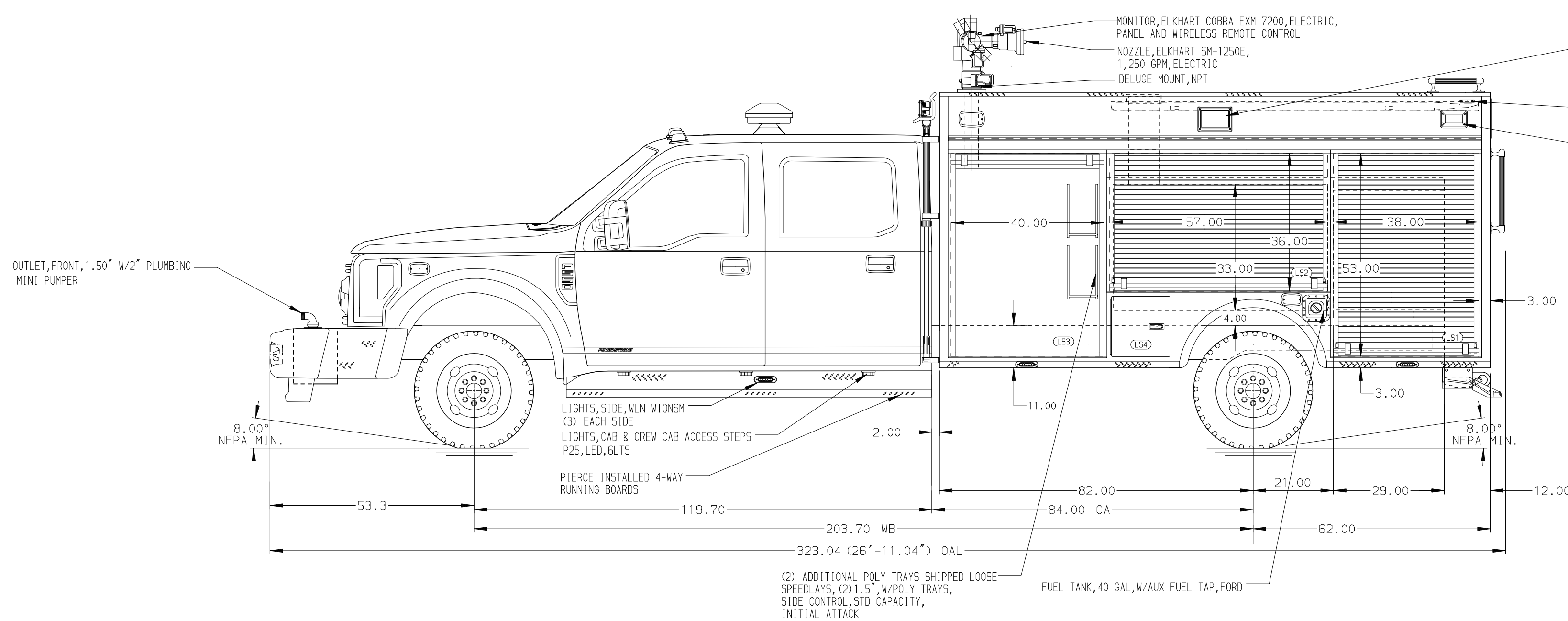


- HOSEBED CAPACITIES
- ① 400' OF 5.00" MERCEDES HOSE
 - ② 200' OF 2.5" MERCEDES HOSE



ALUMINUM BODY

NOTE
DIMENSIONS SHOWN ARE APPROXIMATE AND ARE SUBJECT TO MINOR DEVIATIONS AS MAY OCCUR OR BE NECESSARY IN CONSTRUCTION. MINOR DETAILS NOT SHOWN.

REV.	DATE	BY	CHK'D
22APR20	RHU	GSC	
31MAR20	RHU	GSC	

		JOB NO.	34382
		DATE	03JAN20
TITLE 1500-D-300 POLY, 84" CA, MINI PUMPER BODY (2) SPEEDLAYS, DELUGE		SCALE	1:24
		FOR	GOODWILL HOSE COMPANY #3 BRISTOL, PENNSYLVANIA
CHASSIS DATA FORD MODEL F-550 4X4		DRWN. NO.	34382AD
		SHEET NO.	1 OF 1

DRAWN BY
RHU
CHK'D BY
RIW
SHEET SIZE
D