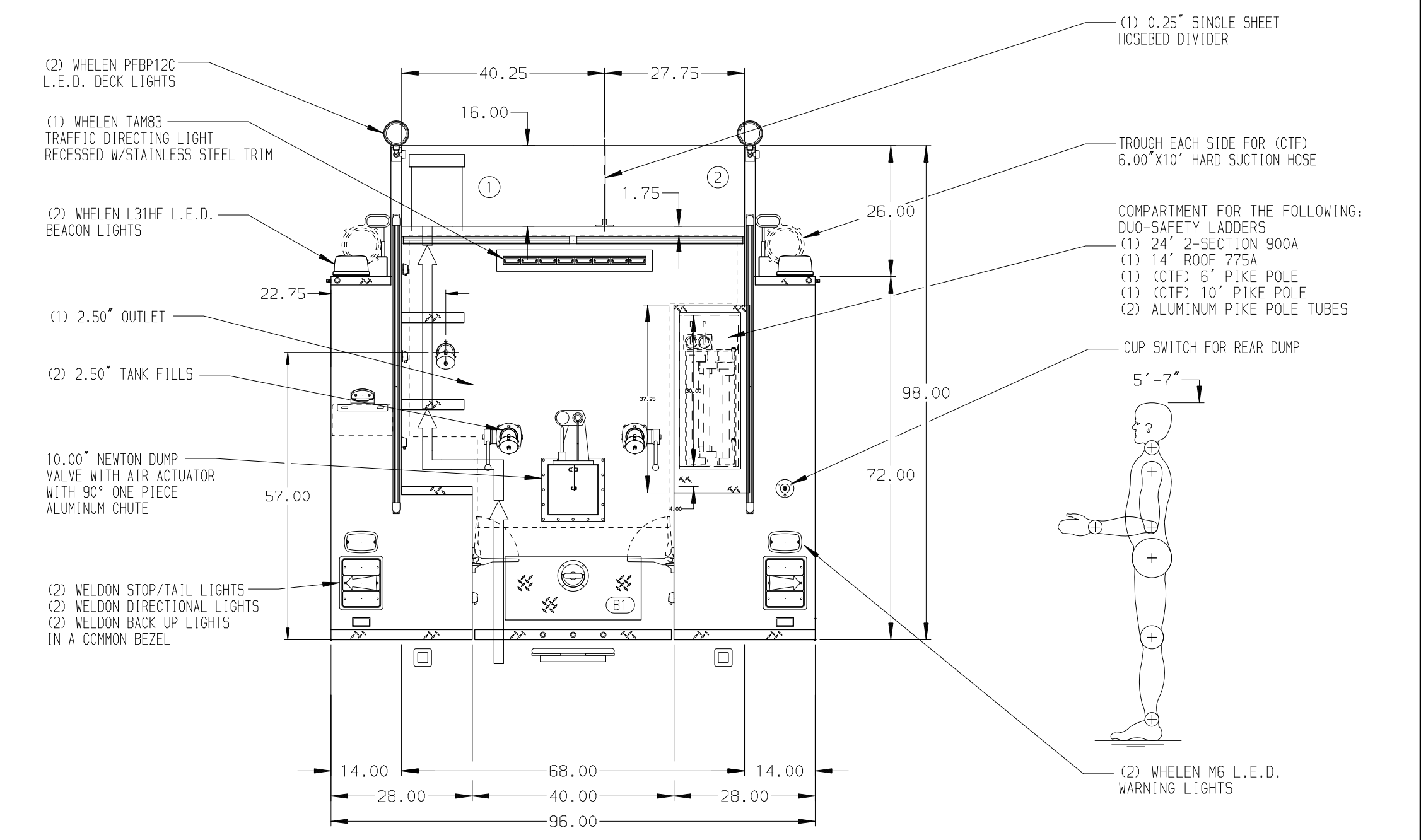
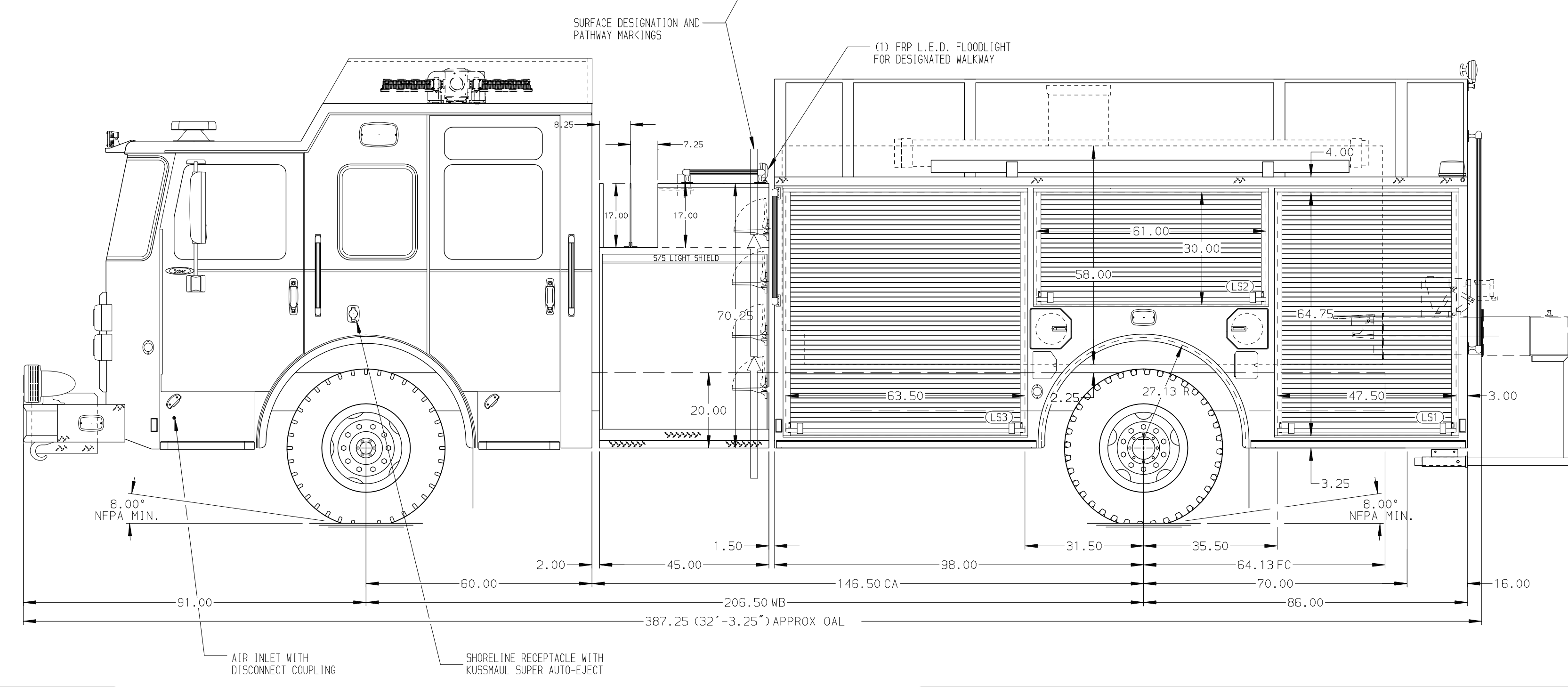


HOSEBED CAPACITIES

① 1000' OF 5.00" HOSE

② 1000' OF 3.00" HOSE



ALUMINUM BODY

SIDE ROLL AND FRONTAL IMPACT PROTECTION

NOTE
DIMENSIONS SHOWN ARE APPROXIMATE AND ARE SUBJECT TO MINOR DEVIATIONS AS MAY OCCUR OR BE NECESSARY IN CONSTRUCTION. MINOR DETAILS NOT SHOWN.

REV	DATE	BY	CH	SABER FR
25JUN19	CRH	DDR		
07MAY19	JAF	DDR		
18APR19	KLE	NPA		

		JOB NO.	33899
		SCALE	1:24
TITLE 1250-D-1800G WATER TANK, 184" FDLER BODY, (2) HSH LADDERS BESIDE TANK, (2) CROSSLAYS FOR LAWRENCE TOWNSHIP HYDE VOLUNTEER FIRE COMPANY CLEARFIELD, PENNSYLVANIA	DATE	12APR19	
	DRAWN BY	KLE	
DWG NO. 33899AD	CHECKED BY	NPA	
	DATE	12APR19	
	SHEET SIZE	D	
	SHEET NO.	1 OF 1	