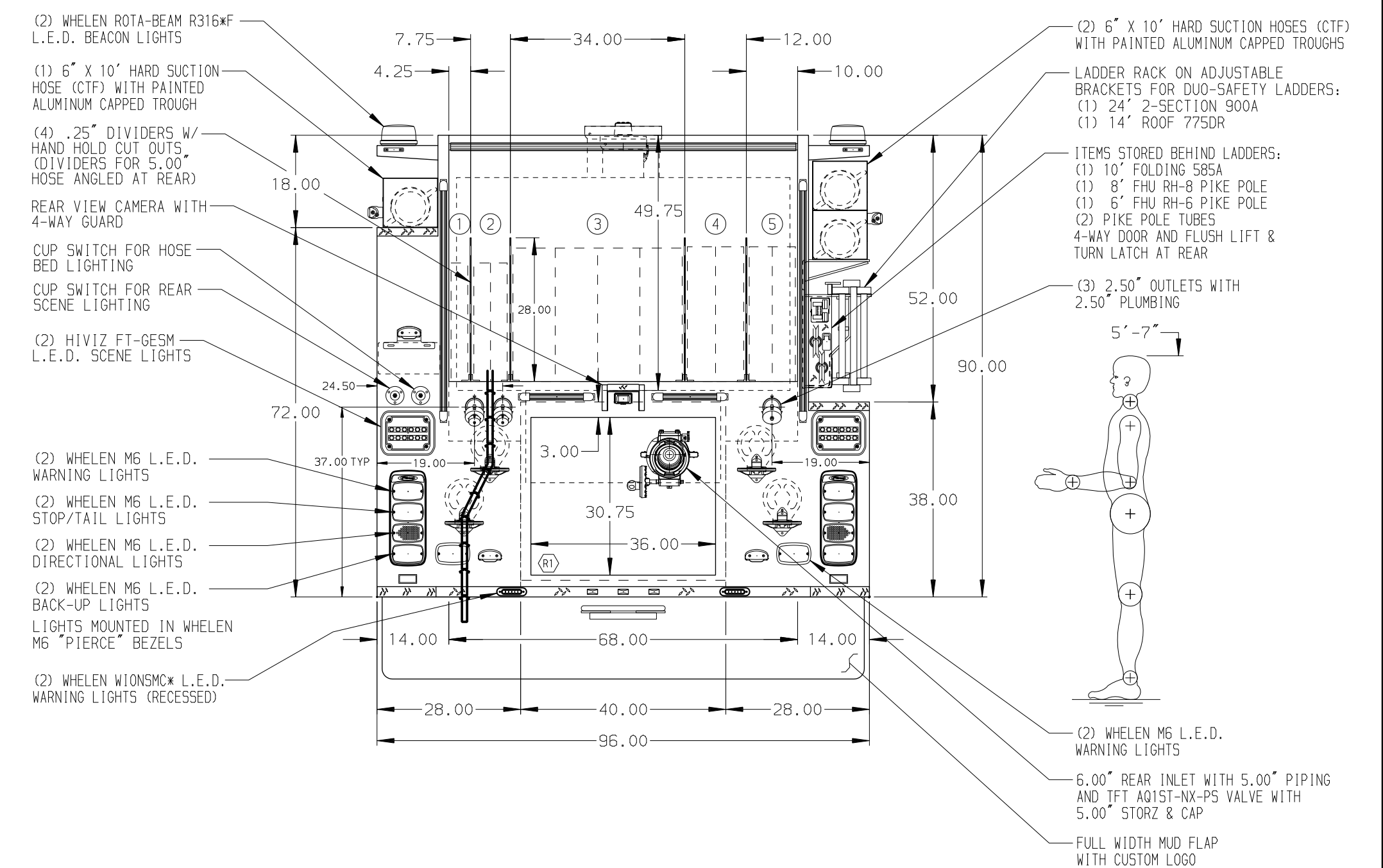
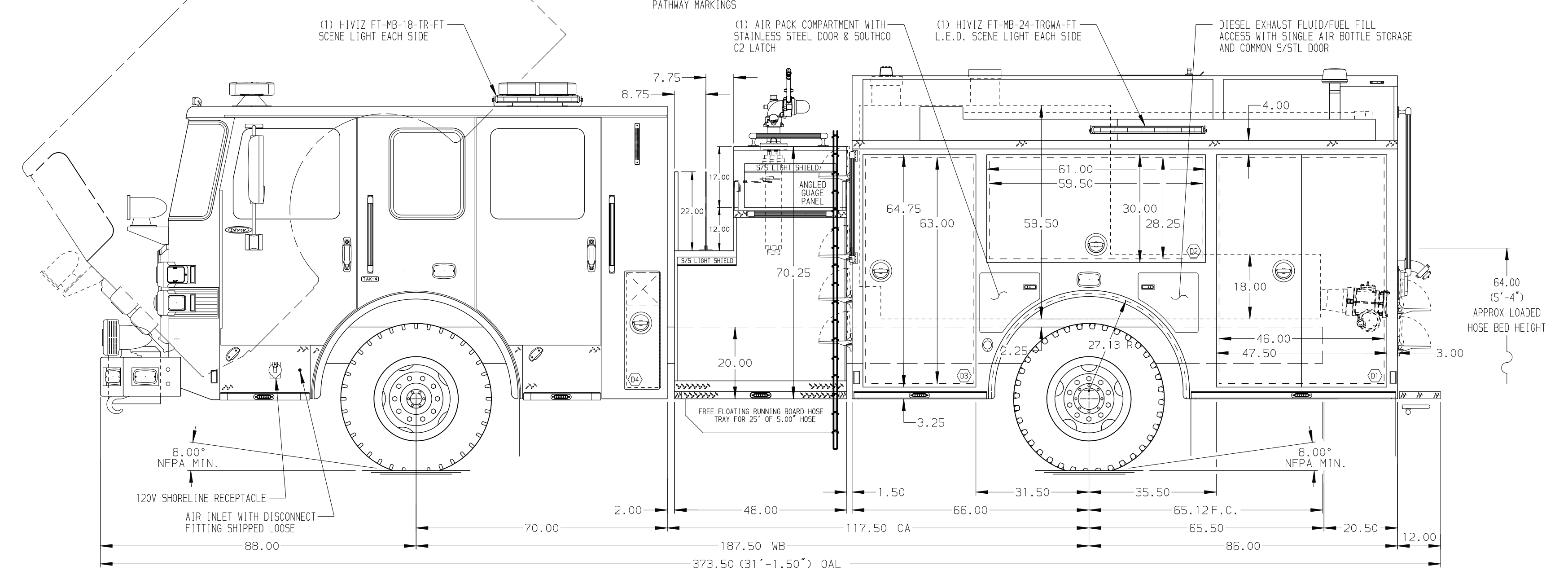


- HOSEBED CAPACITIES**
- 200' OF 1.75" D.J. HOSE
 - 400' OF 1.75" D.J. HOSE
 - 1200' OF 5.00" MERCEDES MEGA FLOW HOSE
 - 400' OF 3.00" D.J. HOSE
 - 400' OF 2.50" D.J. HOSE



ALUMINUM BODY MAXIMUM O.A.L. 374.50" MAXIMUM O.A.H. 117.00" SIDE ROLL AND FRONTAL IMPACT PROTECTION

NOTE
DIMENSIONS SHOWN ARE APPROXIMATE AND ARE SUBJECT TO MINOR DEVIATIONS AS MAY OCCUR OR BE NECESSARY IN CONSTRUCTION. MINOR DETAILS NOT SHOWN.

- ONSPOT AUTOMATIC TIRE CHAINS TO BE PROVIDED AT REAR
- KUSMAUL BATTERY CHARGER LOCATED BEHIND DRIVER'S SEAT
- BATTERY CHARGE INDICATOR LOCATED ON DRIVER'S SEAT RISER
- DUAL L.E.D. LIGHT STRIPS LOCATED IN HOSE BED
- PULL STRAP FOR DOOR IN COMPARTMENT D2
- REVERSED HINGED DOOR ON COMPARTMENT D3
- WHEEL CHOCKS AND BRACKETS TO BE PROVIDED BY CUSTOMER
- L.E.D. STRIP LIGHTS TO BE INSTALLED IN CARGO AREA
- ONE 15/20A 120V DUPLEX RECEPTACLE LOCATED IN CAB

CUSTOMER APPROVAL			
APPROVED BY:			
DATE:			
CHASSIS DATA	TITLE	1500-D-1000P, 980G WTR, 20G FOAM, 152" FH DS/LOW PS	
MAKE	FOR	UNION FIRE COMPANY NO. 1	
PIERCE		OXFORD, PENNSYLVANIA	
MODEL	DWG NO.	32446AD	
ENFORCER			

Pierce MANUFACTURING INC.		JOB NO.	32446
SCALE	1:24	DATE	
DRAWN BY	GVH		04MAY18
CHECKED BY	NPA		04MAY18
SHEET SIZE	D	SHEET NO.	1 OF 1