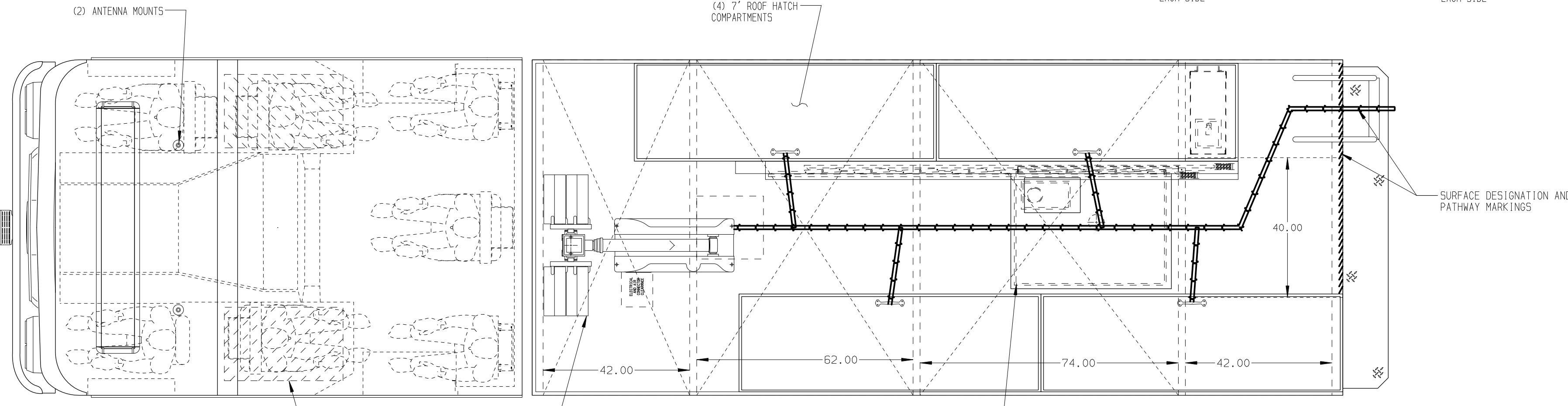
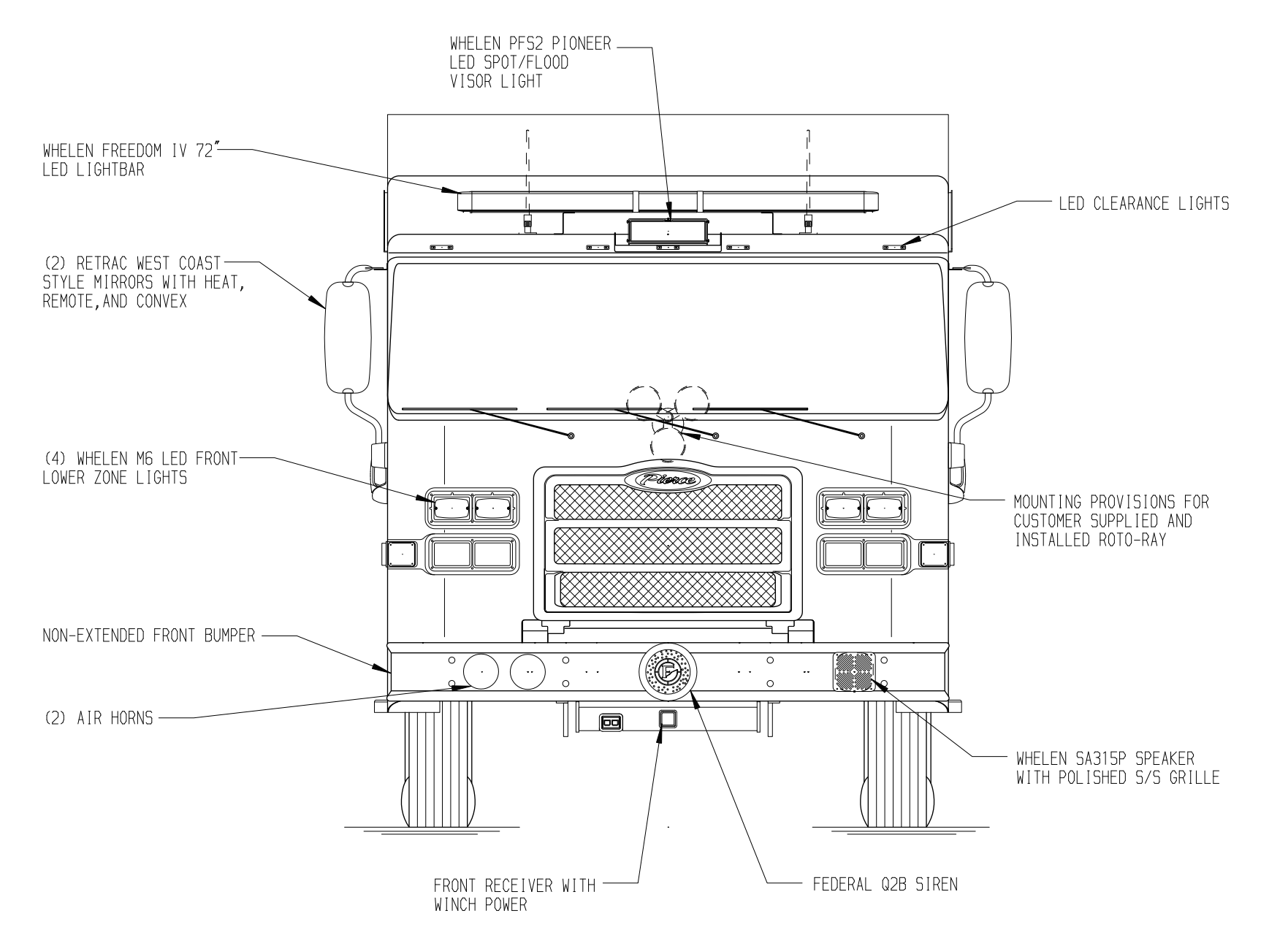
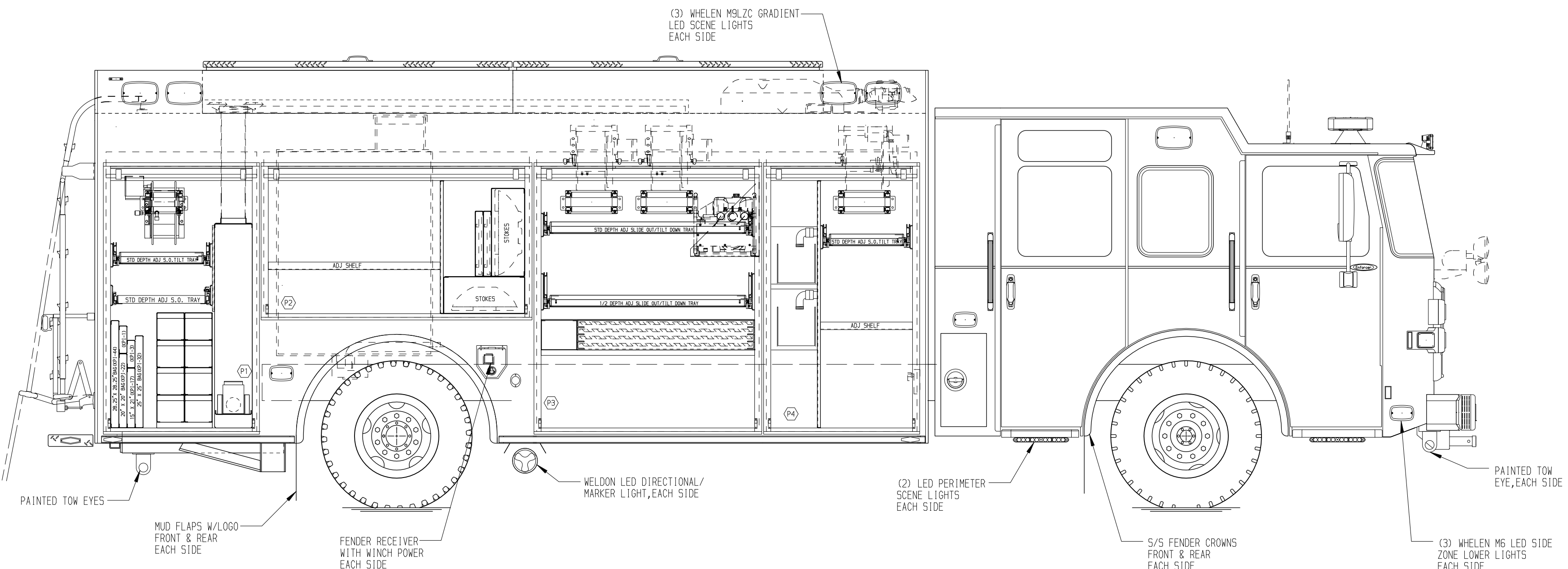


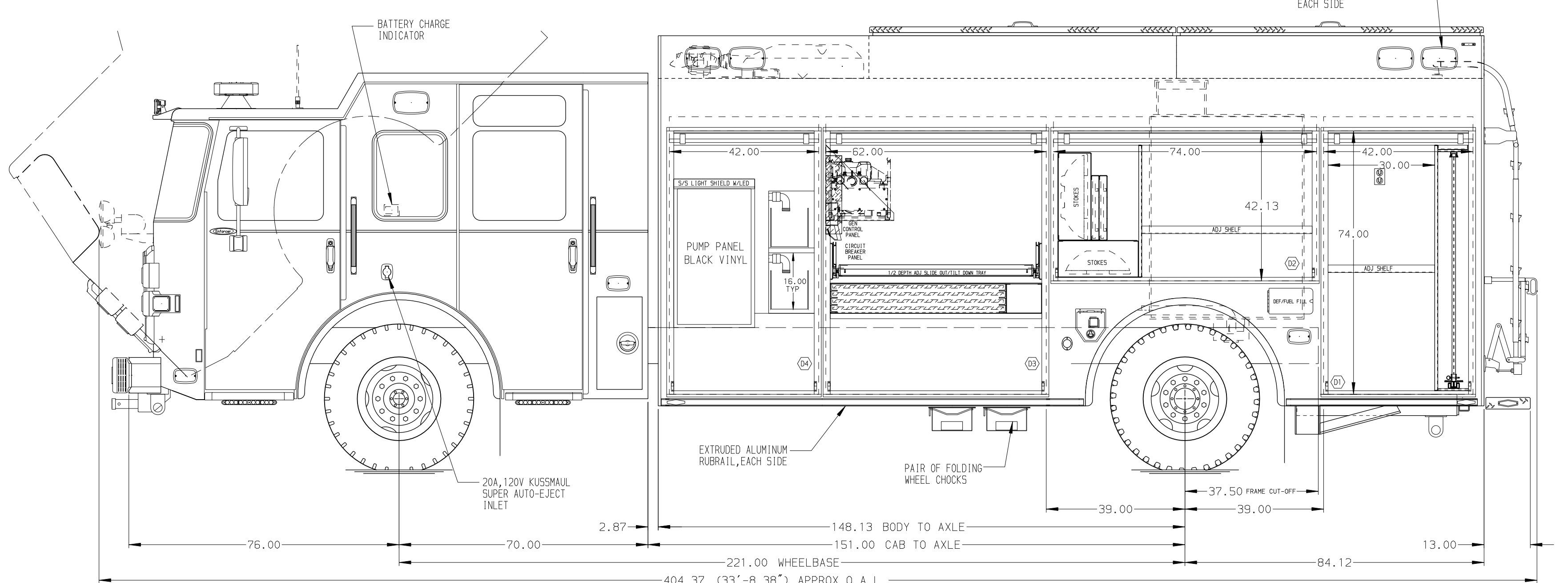
**PASSENGER'S SIDE COMPARTMENTS CONTAIN THE FOLLOWING:**

- COMPARTMENT P1 CONTAINS:**  
 - (1) 22" DP ADJ SLIDE OUT TRAY  
 - (1) 22" DP SLIDE OUT/TILT TRAY  
 - (1) OIL DRY HOPPER  
 - (1) RACK FOR 6 AIR BAGS  
 - (1) RACK FOR 8 SCBA BOTTLES  
 - (1) LOW PRESSURE AIR REEL W/150' OF HOSE
- COMPARTMENT P2 CONTAINS:**  
 - (1) VERTICAL COMPARTMENT DIVIDER  
 - (1) STD DEPTH ADJ SHELF  
 - (1) RACK FOR 2 BACKBOARDS  
 - (1) RACK FOR 2 STOKES BASKETS
- COMPARTMENT P3 CONTAINS:**  
 - (1) 1/2 DEPTH ADJ SLIDE OUT/TILT TRAY  
 - (1) 22" DP SLIDE OUT/TILT TRAY  
 - (1) HORIZONTAL FLOOR EXTENSION  
 - (1) RACK FOR LONG TOOL STORAGE  
 - (1) RACK FOR 4 SHEETS OF PLYWOOD  
 - (2) HYDRAULIC REELS W/100' OF HOSE  
 - (1) GUSSETED SHELF FOR POWER UNIT  
 - (1) 30A, 240V T.L. RECEPTACLE
- COMPARTMENT P4 CONTAINS:**  
 - (1) CAB LIFT CONTROLLER  
 - (1) VERTICAL COMPARTMENT DIVIDER  
 - (1) STD DEPTH ADJ SHELF  
 - (1) 22" DP SLIDE OUT/TILT TRAY  
 - (2) SPEEDLAYS WITH 150' OF 1.75" HOSE  
 - (1) ELECTRIC CORD REEL WITH 200' OF 10/3 BLACK CORD



**REAR COMPARTMENT CONTAINS THE FOLLOWING:**

**COMPARTMENT R1 CONTAINS:**  
 - (1) RACK FOR WERNER MT-13 LADDER  
 - (1) 39" DP ADJ SLIDE OUT TRAY  
 - (1) 39" DP FLOOR MOUNTED SLIDE OUT TRAY  
 - (1) ELECTRIC CORD REEL WITH 200' OF 10/3 BLACK CORD



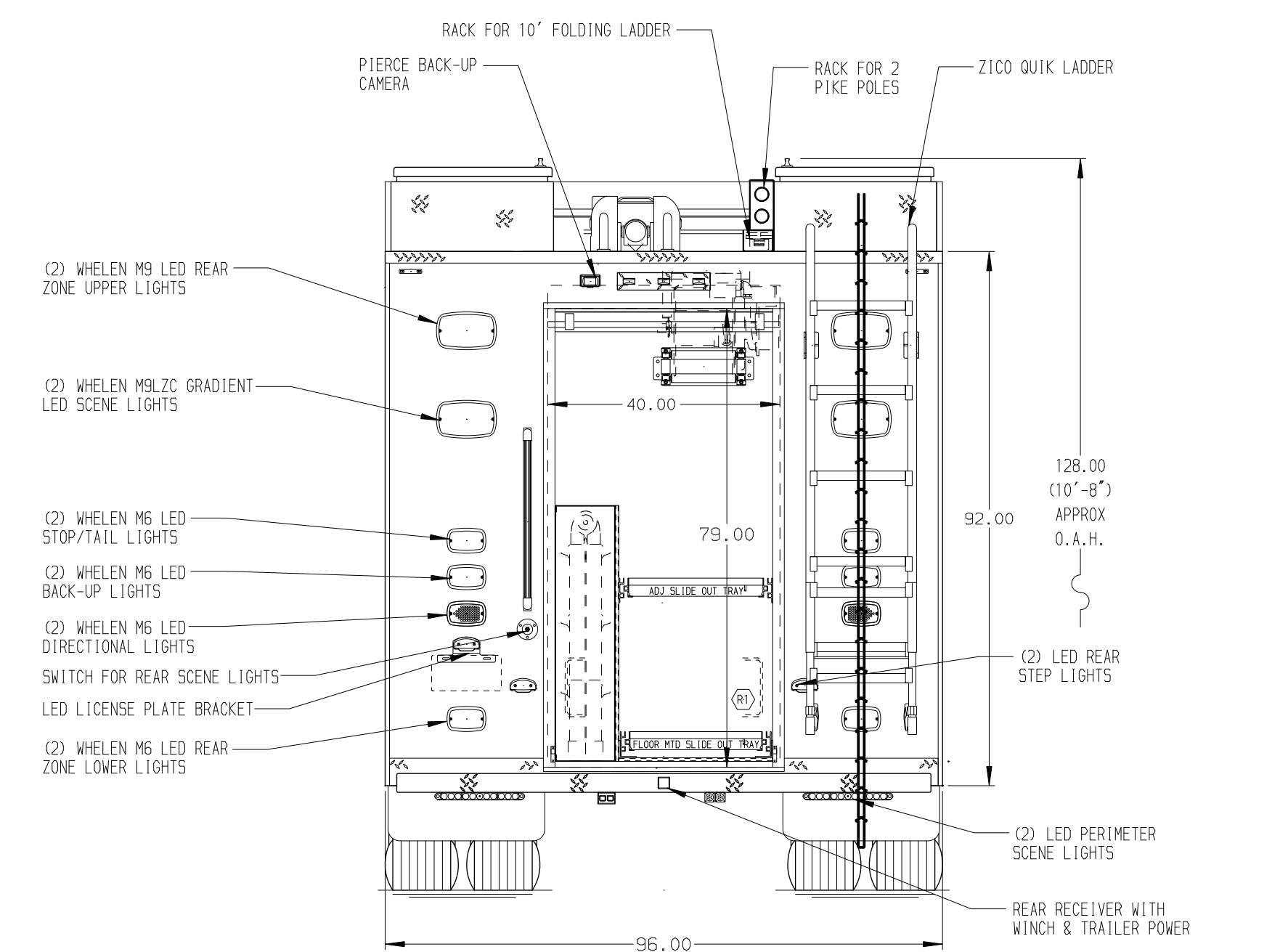
**DRIVER'S SIDE COMPARTMENTS CONTAIN THE FOLLOWING:**

**COMPARTMENT D1 CONTAINS:**  
 - (1) VERTICAL COMPARTMENT DIVIDER  
 - (1) STD DEPTH ADJ SHELF  
 - (1) STD DEPTH ADJ SLIDE OUT TOOLBOARD  
 - (1) 15/20A, 120V DUPLEX RECEPTACLE

**COMPARTMENT D2 CONTAINS:**  
 - (1) VERTICAL COMPARTMENT DIVIDER  
 - (1) STD DEPTH ADJ SHELF  
 - (1) RACK FOR 2 BACKBOARDS  
 - (1) RACK FOR 2 STOKES BASKETS

**COMPARTMENT D3 CONTAINS:**  
 - (1) HORIZONTAL FLOOR EXTENSION  
 - (1) RACK FOR LONG TOOL STORAGE  
 - (1) RACK FOR 4 SHEETS OF PLYWOOD  
 - (1) CIRCUIT BREAKER PANEL  
 - (1) GENERATOR METER PANEL  
 - (1) NIGHTSCAN CONTROLLER  
 - (1) 1/2 DEPTH ADJ SLIDE OUT/TILT TRAY  
 - (1) GUSSETED SHELF FOR POWER UNIT  
 - (1) 30A, 240V T.L. RECEPTACLE

**COMPARTMENT D4 CONTAINS:**  
 - (2) SPEEDLAYS WITH 150' OF 1.75" HOSE



**NOTE**  
 DIMENSIONS SHOWN ARE APPROXIMATE AND ARE SUBJECT TO MINOR DEVIATIONS AS MAY OCCUR OR BE NECESSARY IN CONSTRUCTION. MINOR DETAILS NOT SHOWN.

- NOTES:**
- DARLEY HH-250 HYDRAULIC DRIVEN WATER PUMP
  - ONAN 25KW SINGLE PHASE PTO DRIVEN GENERATOR LOCATED BETWEEN THE FRAME RAILS
  - ONSPOT AUTOMATIC TIRE CHAINS
  - AIR INLET WITH DISCONNECT COUPLING LOCATED IN DRIVER'S SIDE LOWER STEP WELL OF CAB
  - POLISHED S/S SCUFFPLATES ON CAB AND CREW CAB DOOR JAMBS
  - FLOOR IN CAB AND CREW CAB TO BE PADDED RUBBER
  - 10A 75 AMP CHARGER LOCATED BEHIND THE DRIVER'S SEAT
  - ALUMINUM TREADPLATE ON FRONT SHEET OF BODY
  - ALUMINUM ENCLOSURE AROUND ROLL-UP DOOR ROLLS
  - TURTLE TILE ON SHELVES, TRAYS, AND COMPARTMENT FLOORS WITHOUT TRAYS
  - PIERCE LED LIGHT STRIPS IN ALL BODY COMPARTMENTS

**CLEAR DOOR WIDTH KEY**

AMDR ROLL UP DOORS:	-2 1/4"	23APR18	DHE	CDK
CORTITE ROLL UP DOORS:	-2 1/2"	13APR18	DHE	CDK
PIERCE DOUBLE LAP DOORS:	-4 1/4"	23FEB18	DHE	CDK
PIERCE LIFT-UP LAP DOORS:	-1 1/2"	22JAN18	DHE	CDK

(EX: 60" F-F = 2 1/4" = 57 3/4" CLEAR)  
 (F-F) = FRAME TO FRAME

MAXIMUM O.A.H. 11'-0"  
 MAXIMUM O.A.L. 33'-6"

CHASSIS DATA	TITLE	ENCORE RESCUE VEHICLE
	FOR	42.62.74.62
	MAKE	PIERCE
	MODEL	EN7010
REV	DATE	BY
		CH

**Pierce MANUFACTURING INC.**

JOB NO. 32016

SCALE 1:24 DATE

DRAWN BY DHE 22DEC17

CHECKED BY CDK 29DEC17

JIM SIMS

DWG NO. 32016AD

SHEET SIZE D SHEET NO. 1 OF 1