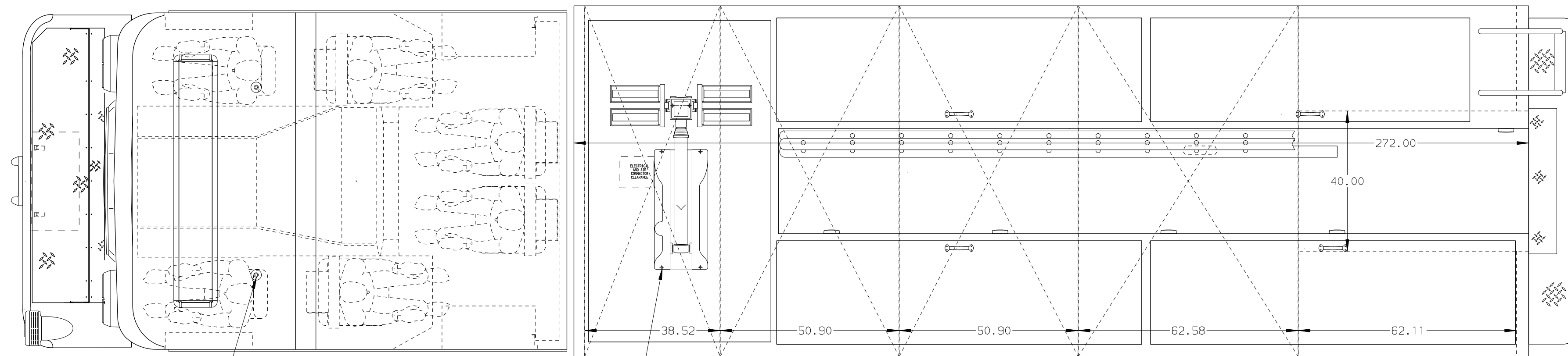
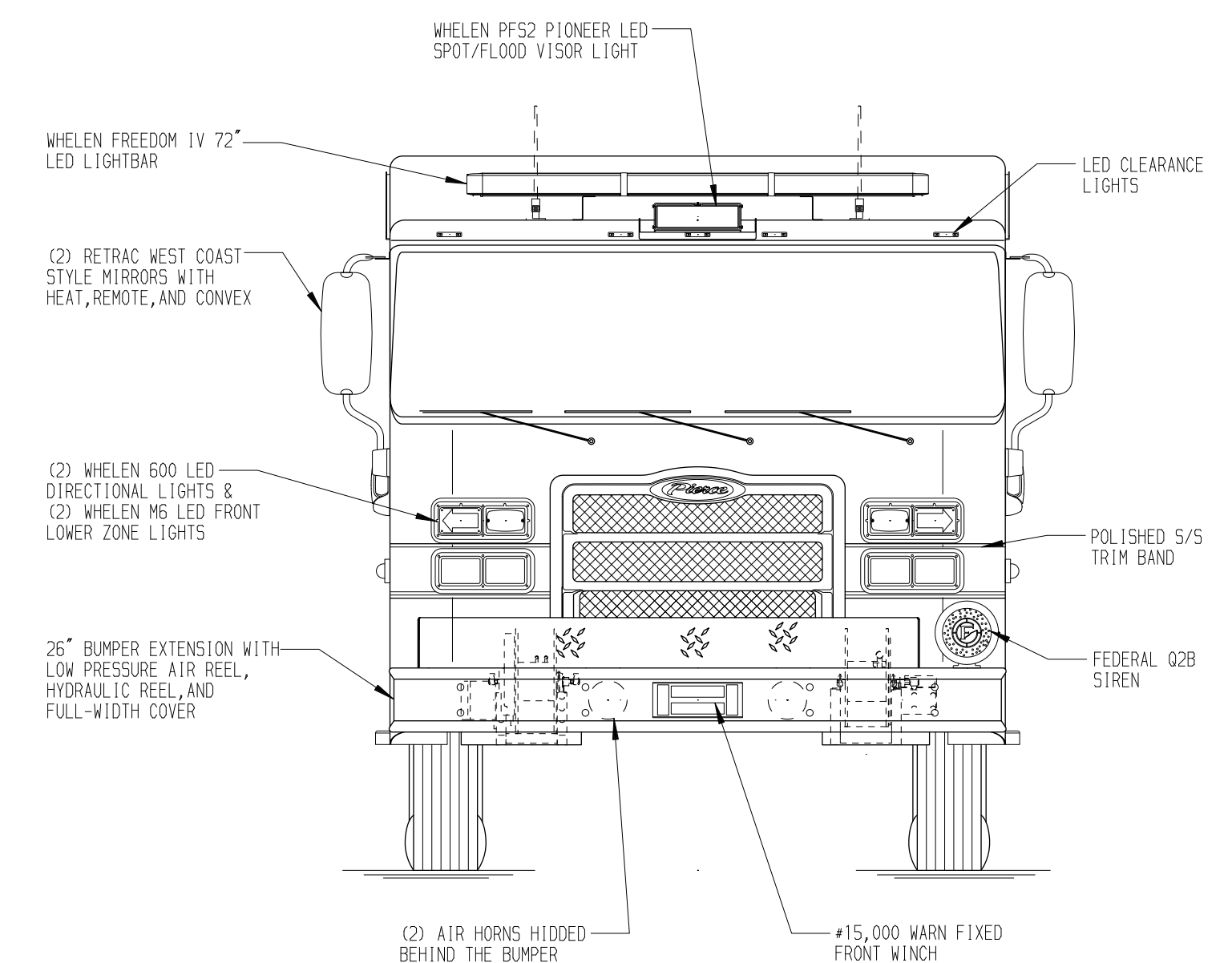
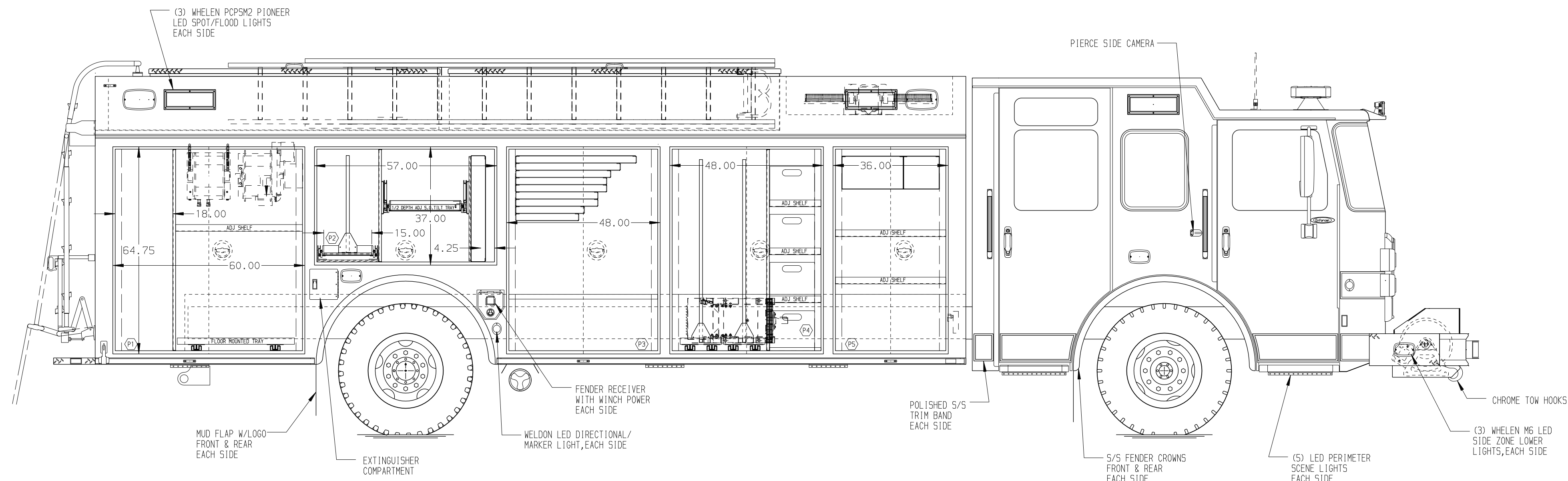


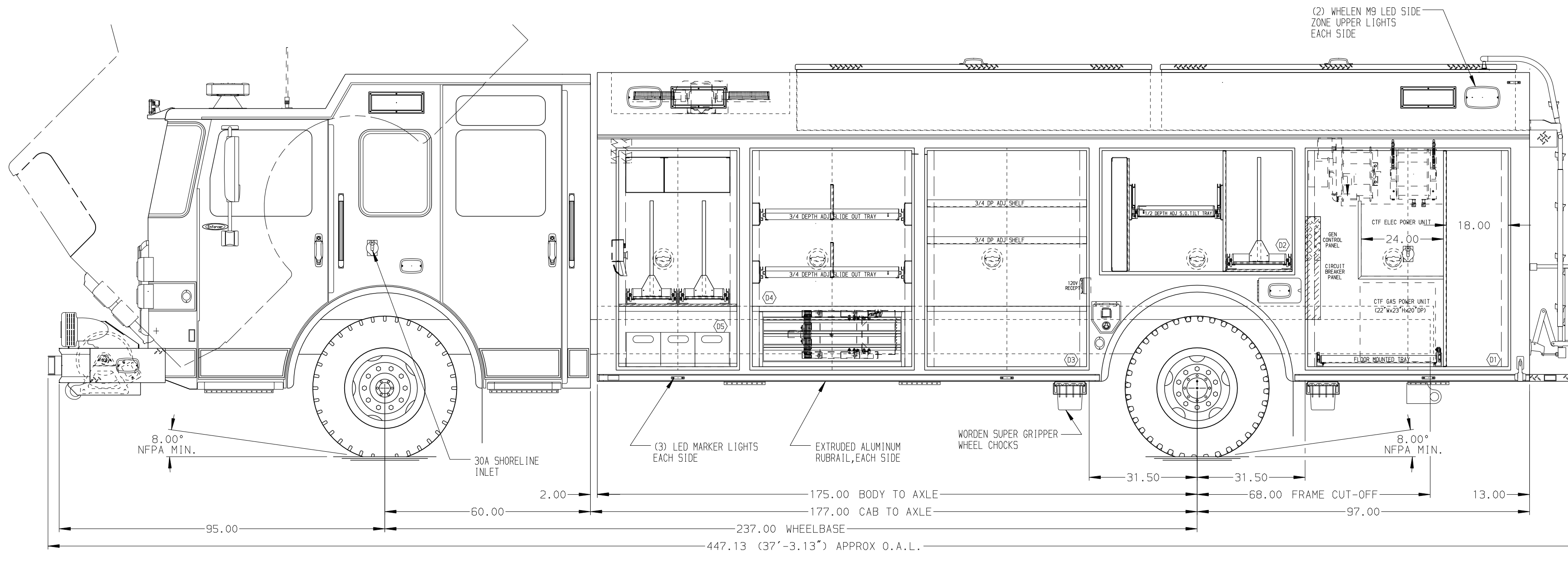
PASSENGER'S SIDE COMPARTMENTS CONTAIN THE FOLLOWING:

- COMPARTMENT P1 CONTAINS:**
 - (1) VERTICAL COMPARTMENT DIVIDER
 - (1) SPECIAL DEPTH ADJ SHELF
 - (1) FLOOR MOUNTED TRAY
 - MOUNTING PROVISIONS FOR 2 CUSTOMER INSTALLED REELS
- COMPARTMENT P2 CONTAINS:**
 - (1) 1/2 DEPTH ADJ SLIDE OUT/TILT TRAY
 - (1) 2-WAY ADJ SLIDE OUT TOOLBOARD
 - (1) VERTICAL COMPARTMENT DIVIDER
 - (1) TRANSVERSE LUMBER TROUGH
- COMPARTMENT P3 CONTAINS:**
 - (1) RACK FOR 9 AIR BAGS
 - (1) HORIZONTAL FLOOR EXTENSION
- COMPARTMENT P4 CONTAINS:**
 - (1) VERTICAL COMPARTMENT DIVIDER
 - (2) STD DEPTH FLOOR MOUNTED TRAYS WITH TOOLBOARDS
 - (3) STD DEPTH ADJ SHELVES
 - (4) POLY TOOL BOXES
- COMPARTMENT P5 CONTAINS:**
 - (1) CAB LIFT CONTROLLER
 - (2) STD DEPTH ADJ SHELVES
 - (1) RACK FOR STRETCHER AND BACKBOARDS
 - (1) RACK FOR SPLINTS



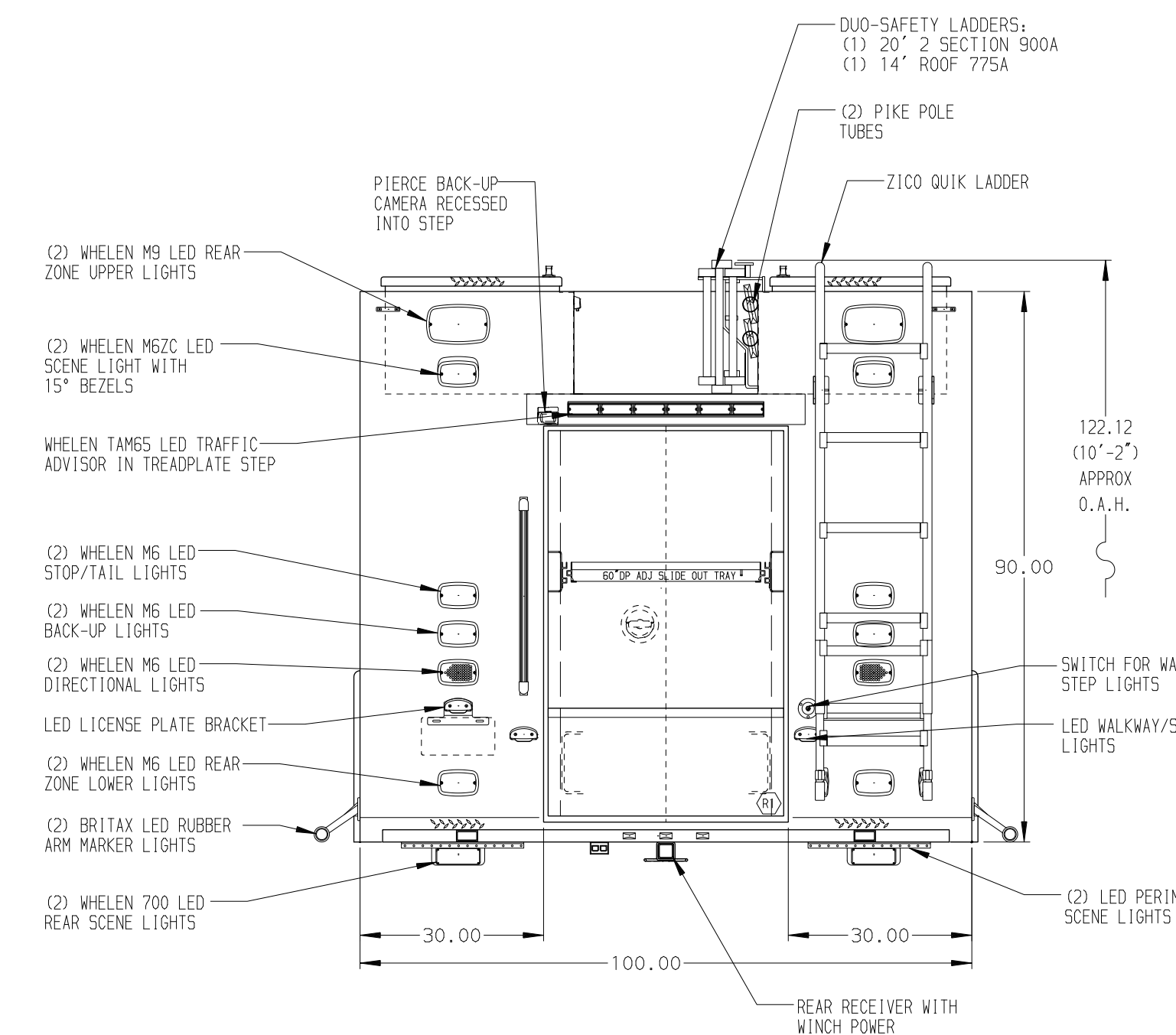
REAR COMPARTMENT CONTAINS THE FOLLOWING:

COMPARTMENT R1 CONTAINS:
 - (1) HORIZONTAL FLOOR EXTENSION
 - (1) 60" DP ADJ SLIDE OUT TRAY



DRIVER'S SIDE COMPARTMENTS CONTAIN THE FOLLOWING:

- COMPARTMENT D1 CONTAINS:**
 - (1) VERTICAL COMPARTMENT DIVIDER
 - (1) GUSSETED SHELF
 - (1) STD DEPTH FLOOR MOUNTED TRAY WITH SIDE SLIDES
 - (1) CIRCUIT BREAKER PANEL
 - (1) GENERATOR METER PANEL
 - (1) 20A, 240V DUPLEX RECEPTACLE
 - MOUNTING PROVISIONS FOR 2 CUSTOMER INSTALLED REELS
- COMPARTMENT D2 CONTAINS:**
 - (1) 1/2 DEPTH ADJ SLIDE OUT/TILT TRAY
 - (1) 2-WAY ADJ SLIDE OUT TOOLBOARD
 - (1) VERTICAL COMPARTMENT DIVIDER
 - (1) TRANSVERSE LUMBER TROUGH
- COMPARTMENT D3 CONTAINS:**
 - (1) HORIZONTAL FLOOR EXTENSION
 - (2) 3/4 DEPTH ADJ SHELVES
 - (1) 15A, 120V DUPLEX RECEPTACLE
- COMPARTMENT D4 CONTAINS:**
 - (1) HORIZONTAL FLOOR EXTENSION
 - (2) 3/4 DEPTH ADJ SLIDE OUT TRAYS WITH 10" ADJ DIVIDER IN EACH
 - (1) 3-DRAWER C-TECH CABINET
- COMPARTMENT D5 CONTAINS:**
 - (1) 101A 75A BATTERY CHARGER
 - (1) HORIZONTAL FLOOR EXTENSION
 - (2) 3/4 DEPTH FLOOR MOUNTED SLIDE OUT TRAYS WITH TOOLBOARDS
 - (3) POLY TOOL BOXES
 - (1) NIGHT SCAN CONTROLLER
 - (1) RACK FOR STRETCHER AND BACKBOARDS
 - (1) RACK FOR SPLINTS



NOTE
 DIMENSIONS SHOWN ARE APPROXIMATE AND ARE SUBJECT TO MINOR DEVIATIONS AS MAY OCCUR OR BE NECESSARY IN CONSTRUCTION. MINOR DETAILS NOT SHOWN.

- NOTES:**
- ONAN 25kW SINGLE PHASE PTO DRIVEN GENERATOR LOCATED BETWEEN THE FRAME RAILS
 - ONSPOT AUTOMATIC TIRE CHAINS
 - AIR INLET WITH DISCONNECT COUPLING LOCATED IN DRIVER'S SIDE LOWER STEP WELL OF CAB
 - FLOOR IN CAB AN CREW CAB TO BE PADDED RUBBER
 - BATTERY CHARGE INDICATOR LOCATED ON DRIVER'S SEAT RISER
 - PULL STRAPS ON COMPARTMENT DOORS IN D2/P2
 - PIERCE DUAL LED LIGHTS IN ALL BODY AND HATCH COMPARTMENTS
 - (2) 15A, 120V DUPLEX RECEPTACLES LOCATED BEHIND THE OFFICER'S SEAT

STAINLESS STEEL BODY

NOTE: LAP DOORS HAVE BEEN SHOWN IN HIDDEN LINES TO CLEARLY IDENTIFY THE EQUIPMENT IN EACH COMPARTMENT. DASHED LINES ON SIDES ARE DOORS IN OPEN POSITION

CLEAR DOOR WIDTH KEY		CHASSIS DATA	
AMOR ROLL UP DOORS:	-1 7/8"	13SEP17	DHE CDK
CORTITE ROLL UP DOORS:	-2 3/4"	04AUG17	DHE CDK
PIERCE DOUBLE LAP DOORS:	-4 1/4"	27JUN17	DHE AZU
PIERCE LIFT-UP LAP DOORS:	-1 1/2"		
(EX: 60" F-F = 1 7/8" = 58 1/8" CLEAR)		REV	DATE BY CH

		JOB NO.	31349
		SCALE	DATE
TITLE	HEAVY DUTY RESCUE NON-WALKIN	DRAWN BY	DHE 16JUN17
FOR	SENECA VOLUNTEER FIRE DEPARTMENT SENECA, PA	CHECKED BY	AZU 16JUN17
DWG NO.	31349AD	SHEET SIZE	SHEET NO.
		D	1 OF 1