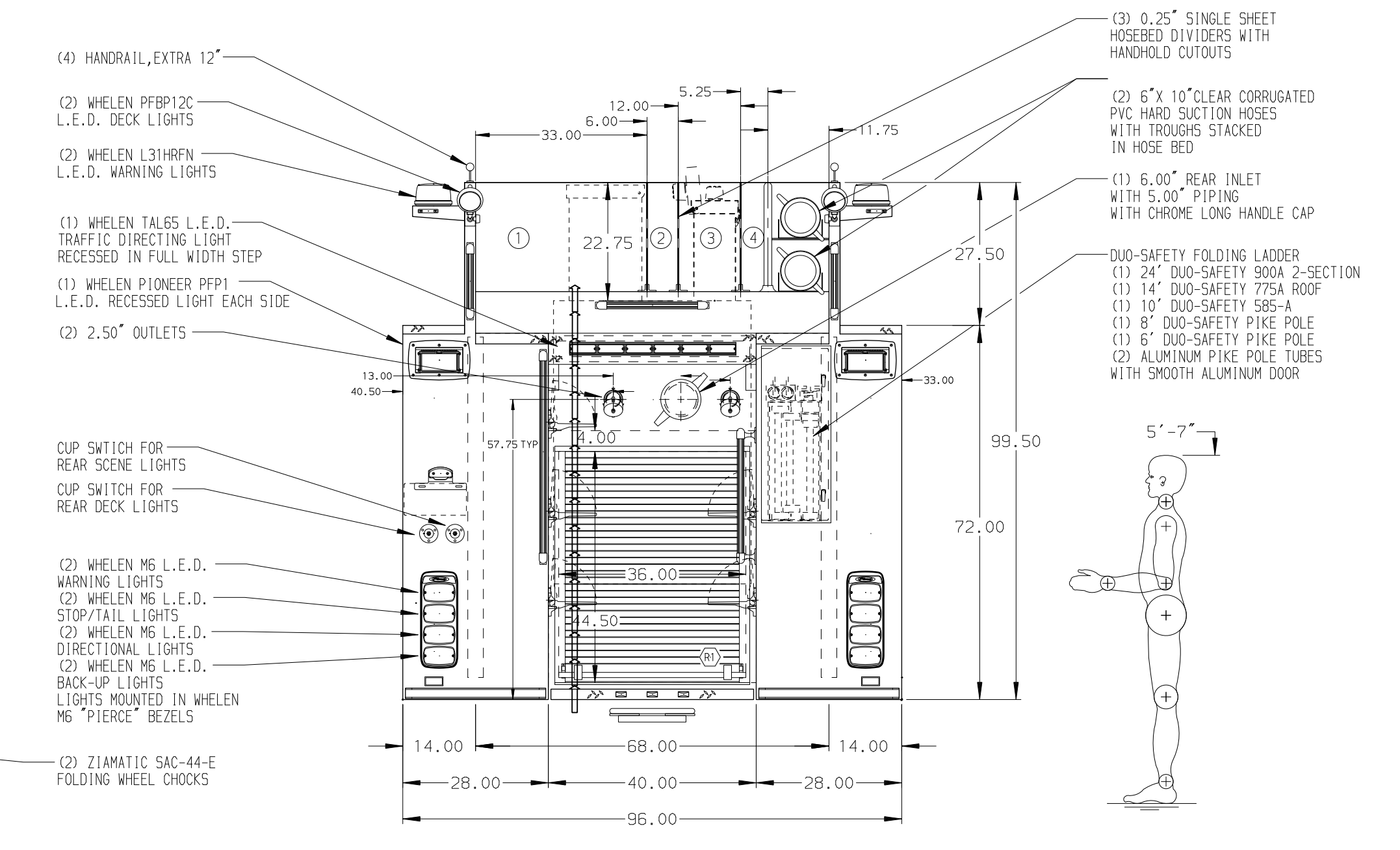
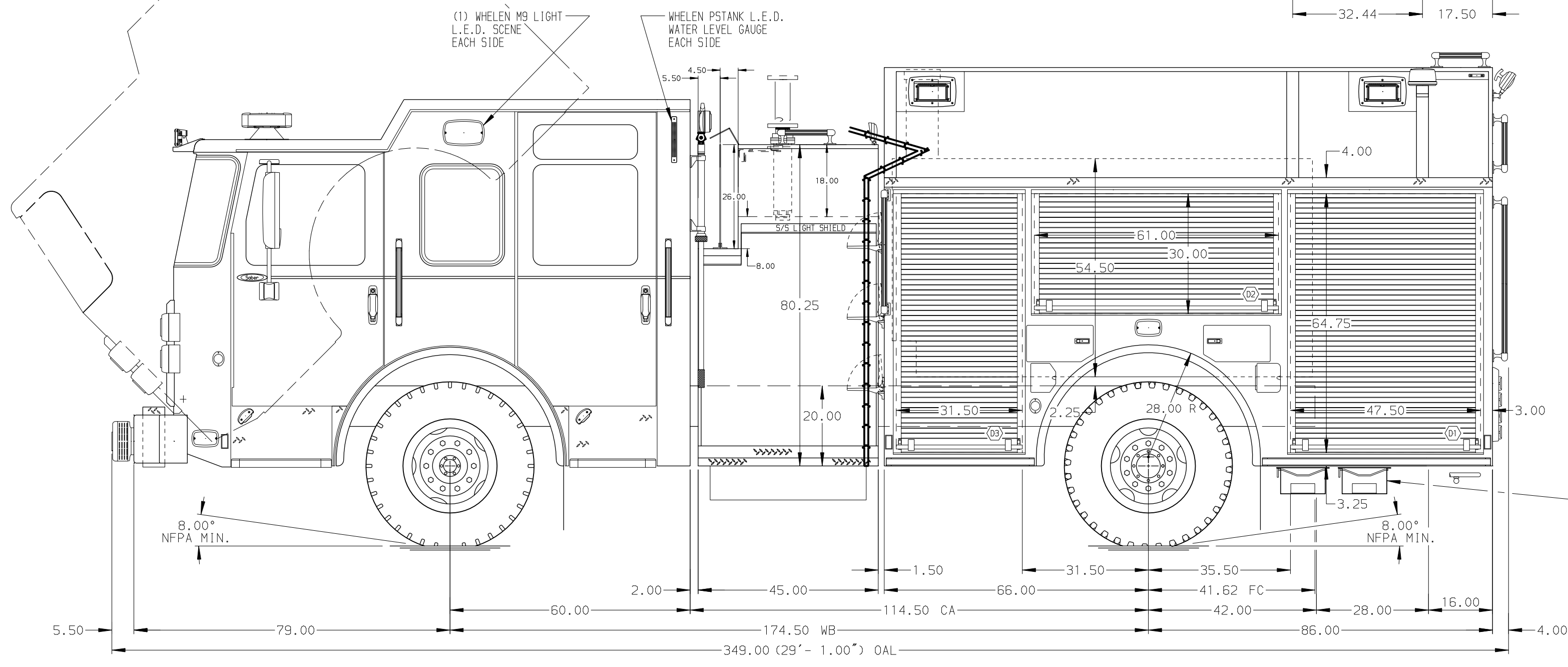


HOSEBED CAPACITIES

- ① 1000' OF 5.00" D.J. HOSE
- ② 150' OF 2.50" D.J. HOSE
- ③ 400' OF 3.00" D.J. HOSE
- ④ 200' OF 1.75" D.J. HOSE



ALUMINUM BODY

SIDE ROLL PROTECTION

		JOB NO.	30722
		SCALE	DATE
<b>Pierce MANUFACTURING INC.</b>		1:24	
TITLE	1500-D-750P W/30G FOAM CELL, 152" RESCUE	DRAWN BY	CSQ
FOR	(2) XLAYS, DELUGE, LADDERS THRU PS COMPARTMENTS	CHECKED BY	CSH
	SOUTH WARD FIRE CO. INC.	SHEET SIZE	SHEET NO.
	TAMAQUA, PENNSYLVANIA	D	1 OF 1
DWG NO.	30722AD		

NOTE  
DIMENSIONS SHOWN ARE APPROXIMATE AND ARE SUBJECT TO MINOR DEVIATIONS AS MAY OCCUR OR BE NECESSARY IN CONSTRUCTION. MINOR DETAILS NOT SHOWN.

11APR17	JAF	-	CHASSIS DATA
03APR17	JLA	DDR	MAKE
17MAR17	JLA	DDR	PIERCE
15MAR17	RWI	DDR	MODEL
16FEB17	JLA	DDR	SABER FR
REV	DATE	BY	CH