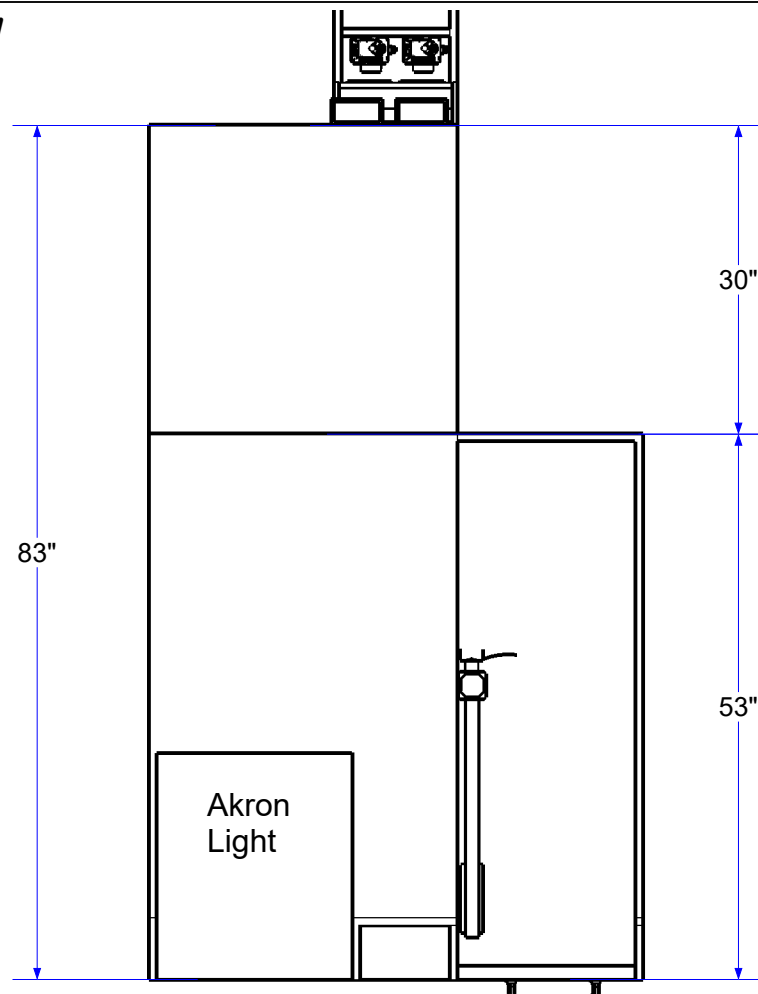
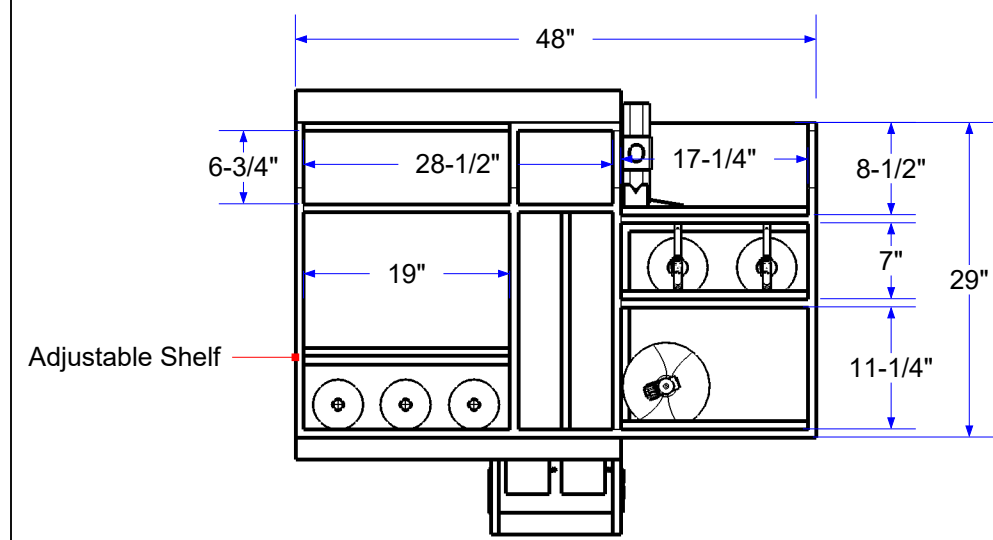
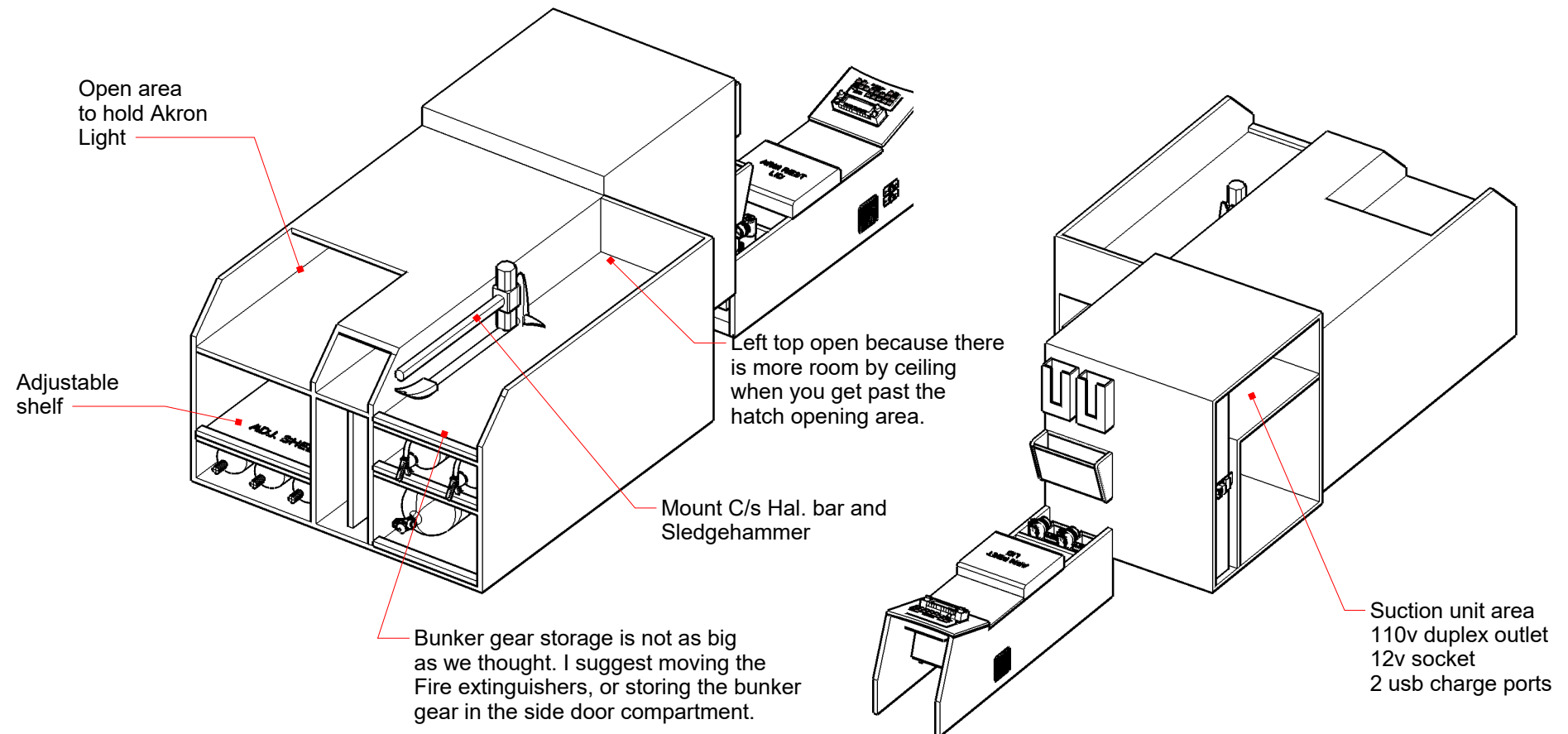


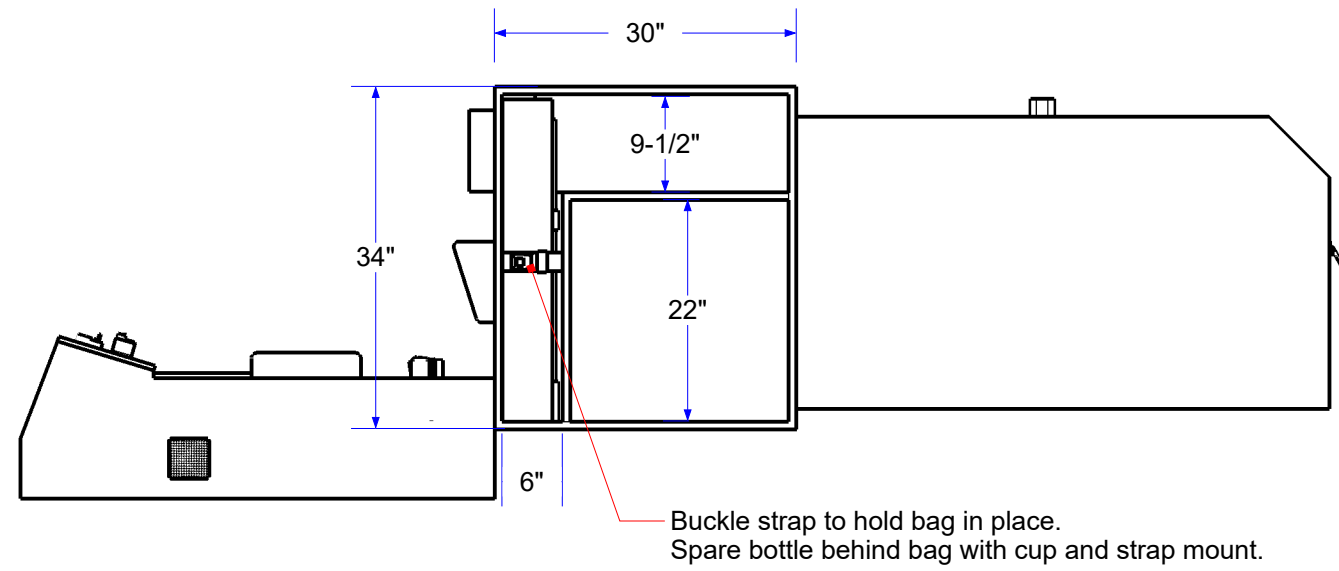
TOP VIEW



VIEW FROM REAR OF TRUCK



FRONT VIEW



SIDE VIEW



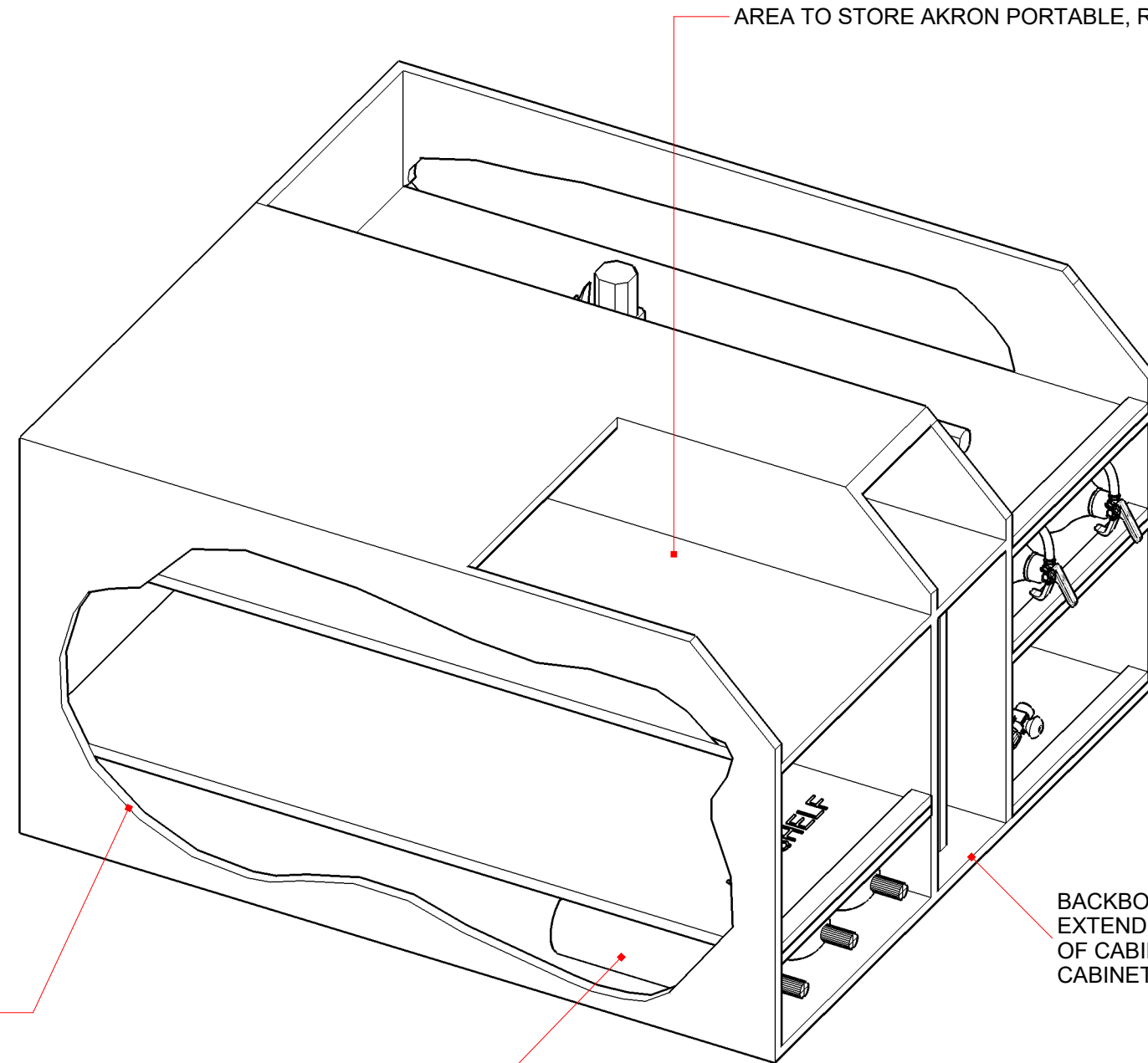
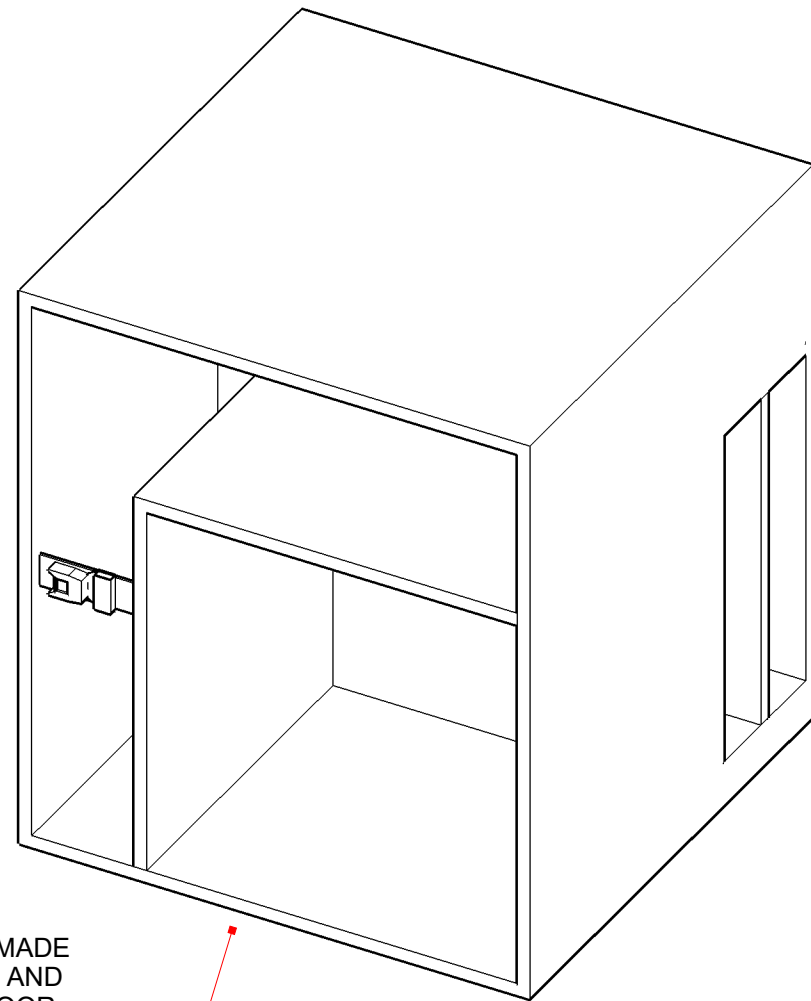
166 Gold Mine Road  
Flanders, NJ 07836  
PHONE: 800-526-5106

**TITLE:** Holiday Park VFD  
L-Shaped Cabinet Revision V16-0806

THIS DRAWING IS PROPRIETARY AND CONFIDENTIAL TO FIRST PRIORITY EMERGENCY VEHICLES. IT IS NOT TO BE REPRODUCED WITHOUT WRITTEN PRIOR CONSENT OF FIRST PRIORITY.  
DWG NO. 15-1206-001A DWG DATE: 08-15-2016 SHEET: 1

APPROVED	
SIGN:	DATE:

A 001



TRIM PANELS SHALL BE MADE BETWEEN BOTTOM OF SDC AND FLOOR.

ELECTRICAL COMPONENTS MOUNTED BELOW CABINET.

SIDES REMOVED FOR VIEWING PURPOSES

C/S OXYGEN CYLINDERS X3

AREA TO STORE AKRON PORTABLE, RECHARGEABLE LIGHT.

BACKBOARD SLOTS X2 EXTENDS THROUGH REAR OF CABINET, INTO SIDE DOOR CABINET



166 Gold Mine Road  
Flanders, NJ 07836

PHONE: 800-526-5106

**TITLE:** Holiday Park VFD  
L-Shaped Cabinet Revision V16-0806

THIS DRAWING IS PROPRIETARY AND CONFIDENTIAL TO FIRST PRIORITY EMERGENCY VEHICLES. IT IS NOT TO BE REPRODUCED WITHOUT WRITTEN PRIOR CONSENT OF FIRST PRIORITY.

DWG NO. 15-1206-001A

DWG DATE: 08-15-2016

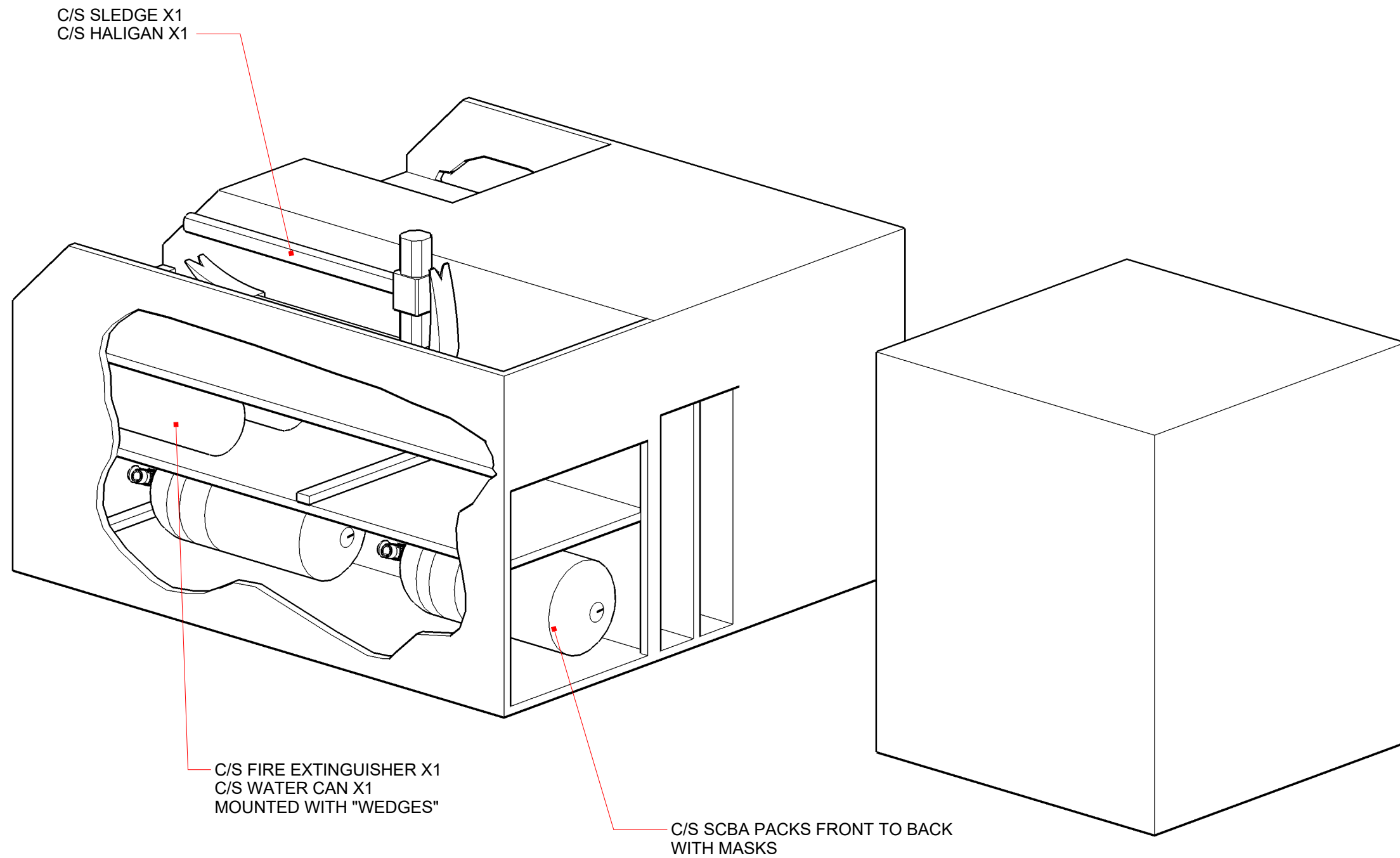
SHEET: 2

APPROVED

SIGN:

DATE:

A 001



C/S SLEDGE X1  
C/S HALIGAN X1

C/S FIRE EXTINGUISHER X1  
C/S WATER CAN X1  
MOUNTED WITH "WEDGES"

C/S SCBA PACKS FRONT TO BACK  
WITH MASKS



166 Gold Mine Road  
Flanders, NJ 07836  
PHONE: 800-526-5106

**TITLE:** Holiday Park VFD  
L-Shaped Cabinet Revision V16-0806

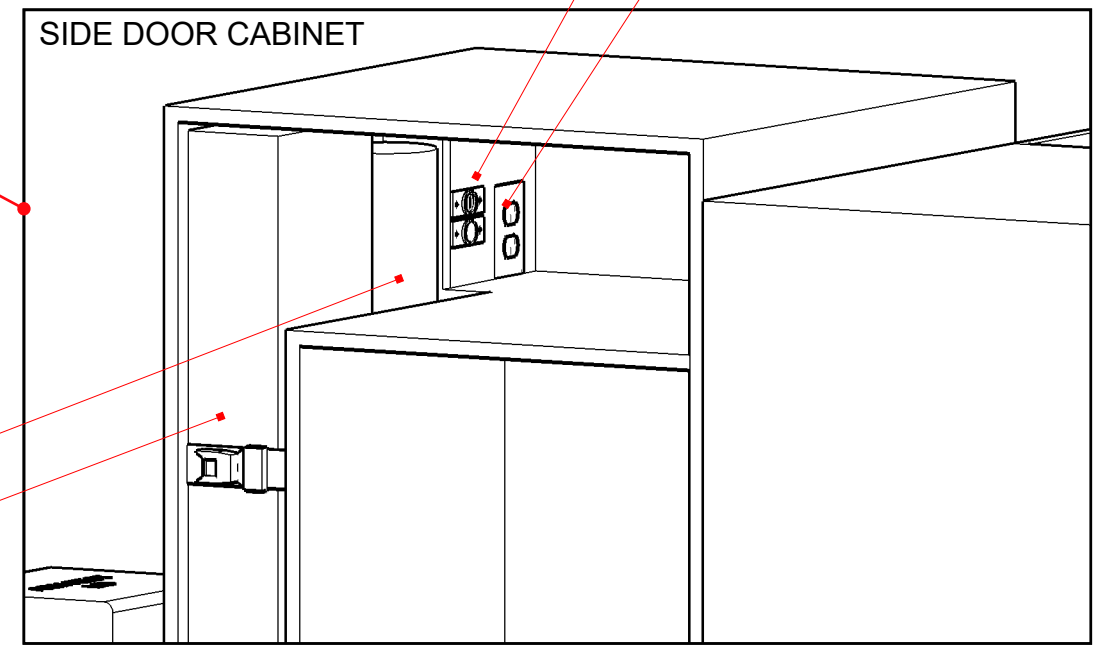
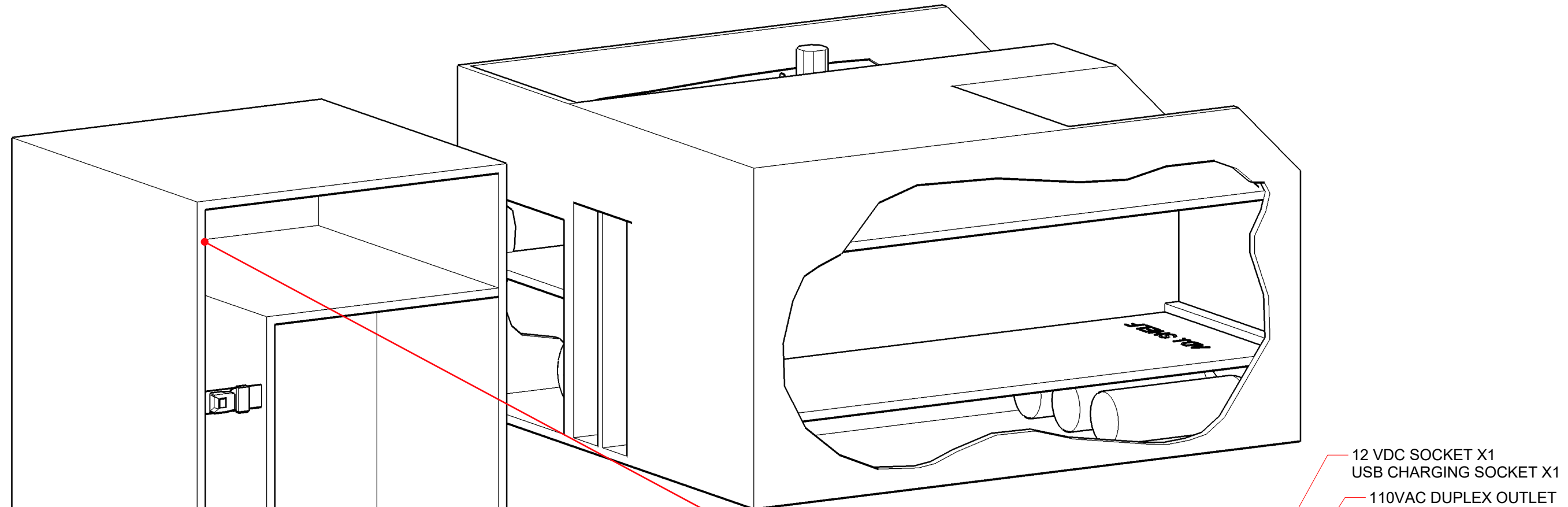
THIS DRAWING IS PROPRIETARY AND CONFIDENTIAL TO FIRST PRIORITY EMERGENCY VEHICLES. IT IS NOT TO BE REPRODUCED WITHOUT WRITTEN PRIOR CONSENT OF FIRST PRIORITY.

DWG NO. 15-1206-001A    DWG DATE: 08-15-2016    SHEET: 3

APPROVED

SIGN: \_\_\_\_\_ DATE: \_\_\_\_\_

A 001



SPARE OXY CYLINDER. MOUNTED WITH CUP & STRAP.

OXYGEN BAG W/ STRAP



166 Gold Mine Road  
Flanders, NJ 07836  
PHONE: 800-526-5106

**TITLE:** Holiday Park VFD  
L-Shaped Cabinet Revision V16-0806

THIS DRAWING IS PROPRIETARY AND CONFIDENTIAL TO FIRST PRIORITY EMERGENCY VEHICLES. IT IS NOT TO BE REPRODUCED WITHOUT WRITTEN PRIOR CONSENT OF FIRST PRIORITY.  
DWG NO. 15-1206-001A    DWG DATE: 08-15-2016    SHEET: 4

APPROVED	
SIGN:	DATE:

A 001