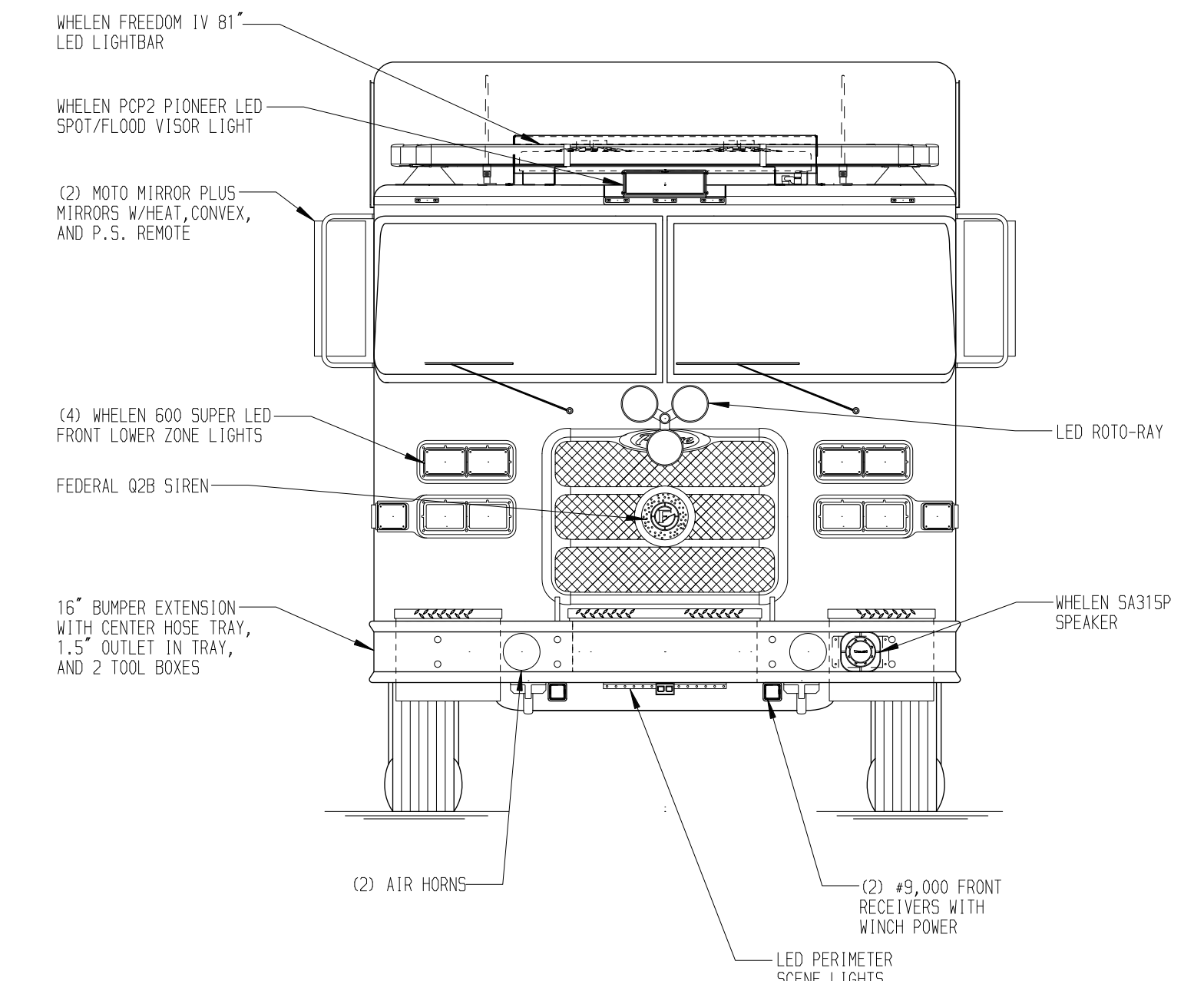
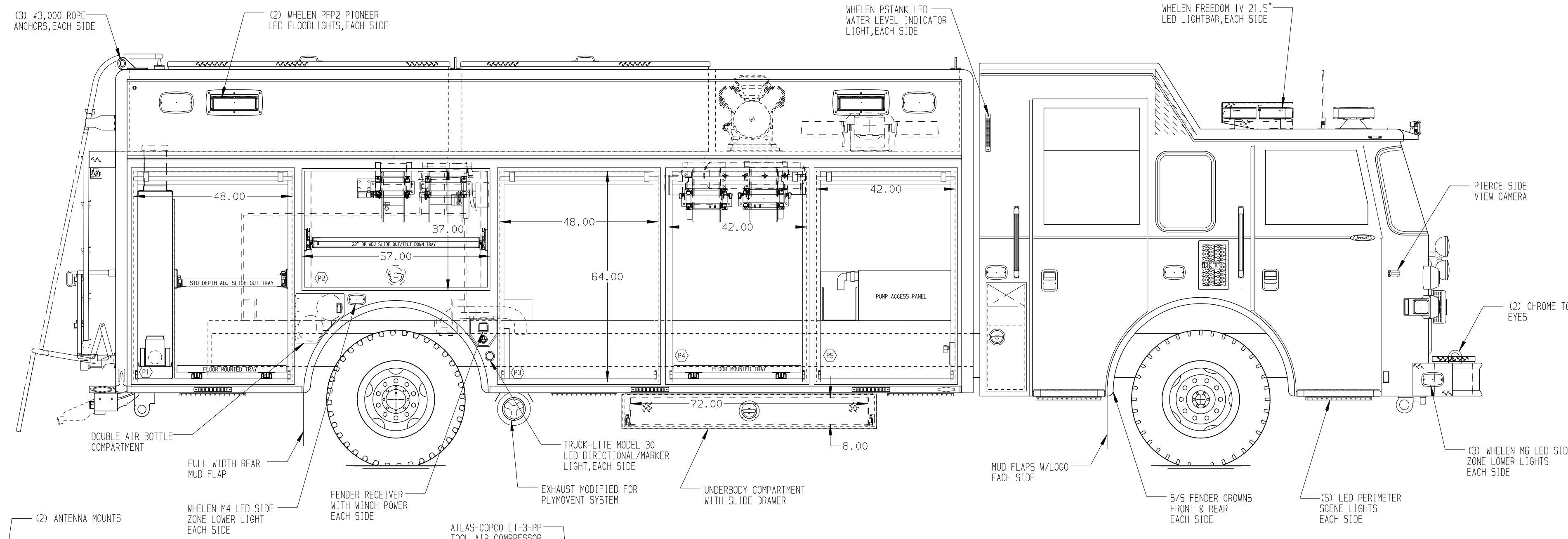


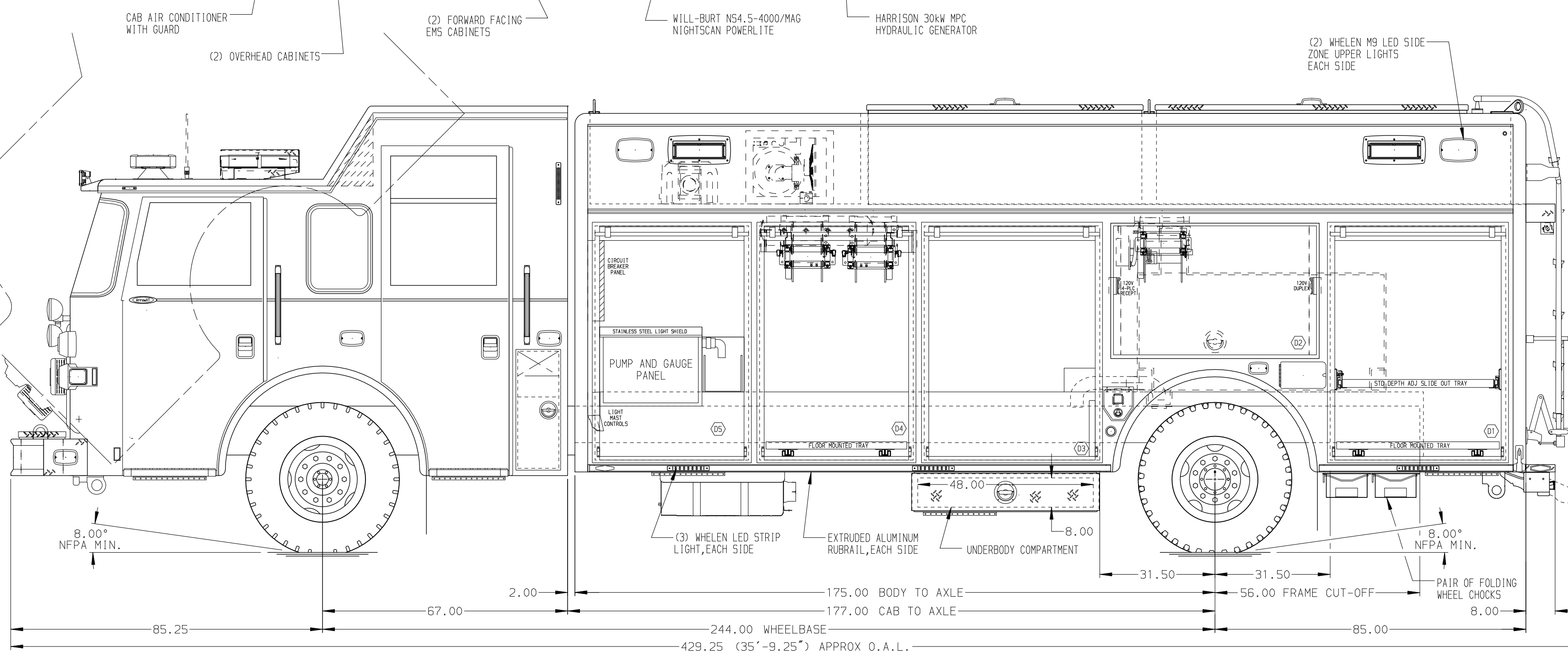
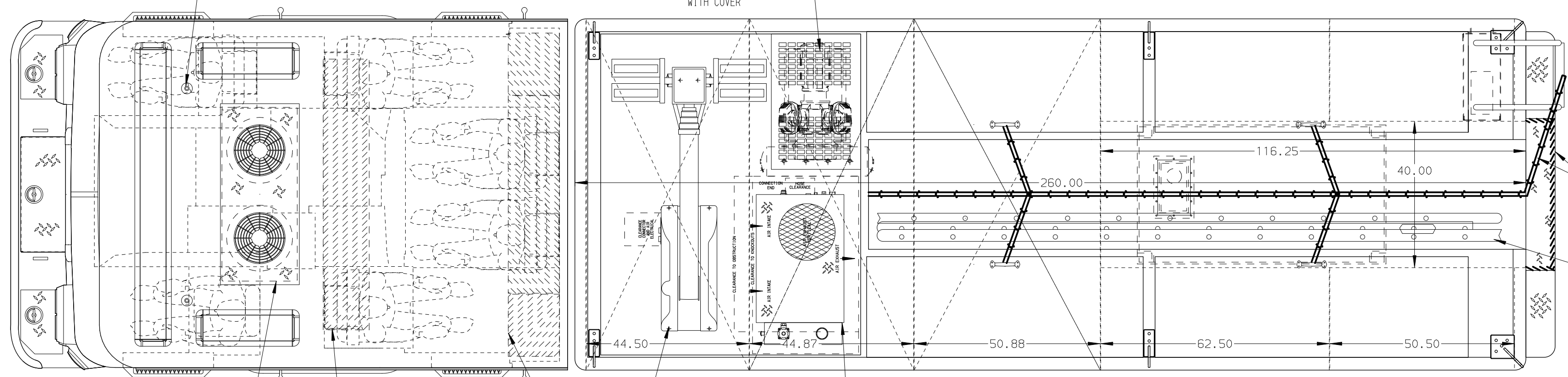
PASSENGER'S SIDE COMPARTMENTS CONTAIN THE FOLLOWING:

- COMPARTMENT P1 CONTAINS:
 - (1) STD DEPTH ADJ SLIDE OUT TRAY
 - (1) STD DEPTH FLOOR MOUNTED TRAY
 - (1) OIL DRY HOPPER
- COMPARTMENT P2 CONTAINS:
 - (1) STD DEPTH ADJ SLIDE OUT/TILT TRAY
 - (1) ELECTRIC CORD REEL WITH 200' OF 10/3 BLACK CORD
 - (1) TOOL AIR REEL WITH 150' OF HOSE
- COMPARTMENT P3 CONTAINS:
 - (1) STD DEPTH FLOOR MOUNTED TRAY
 - (2) HYDRAULIC REELS WITH CAPACITY FOR 100' OF HOSE EACH
- COMPARTMENT P4 CONTAINS:
 - (1) STD DEPTH FLOOR MOUNTED TRAY
 - (2) HYDRAULIC REELS WITH CAPACITY FOR 100' OF HOSE EACH
- COMPARTMENT P5 CONTAINS:
 - (1) CAB LIFT CONTROLLER



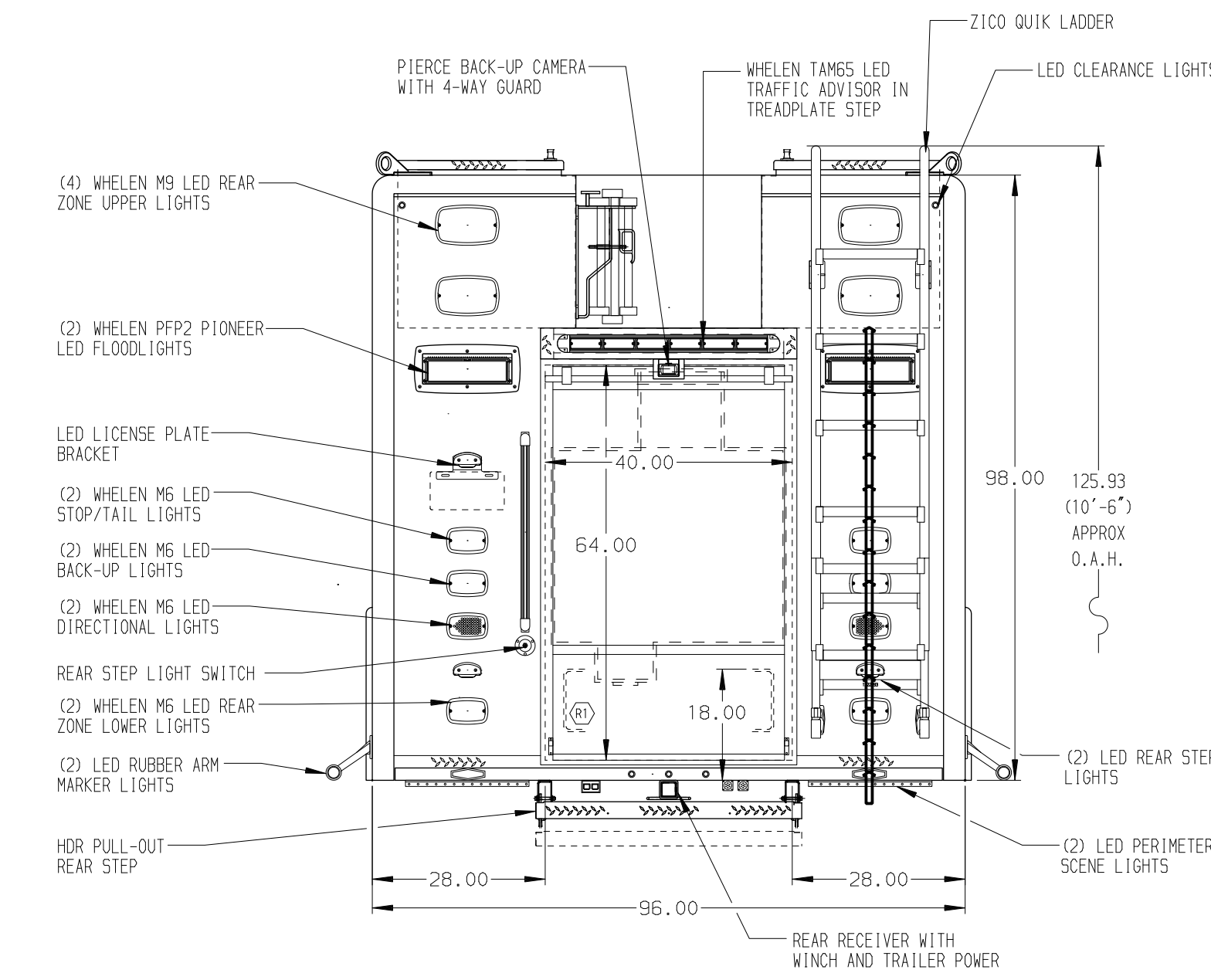
REAR COMPARTMENT CONTAINS THE FOLLOWING:

- COMPARTMENT R1 CONTAINS:
 - (1) HORIZONTAL FLOOR EXTENSION



DRIVER'S SIDE COMPARTMENTS CONTAIN THE FOLLOWING:

- COMPARTMENT D1 CONTAINS:
 - (1) STD DEPTH ADJ SLIDE OUT TRAY
 - (1) STD DEPTH FLOOR MOUNTED TRAY
- COMPARTMENT D2 CONTAINS:
 - (1) ELECTRIC CORD REEL WITH 200' OF 10/3 BLACK CORD
 - (1) 20A, 120V 4-PLACE RECEPTACLE
 - (1) 20A, 120V DUPLEX RECEPTACLE
- COMPARTMENT D3 CONTAINS:
 - (1) STD DEPTH FLOOR MOUNTED TRAY
 - (2) HYDRAULIC REELS WITH CAPACITY FOR 100' OF HOSE EACH
- COMPARTMENT D4 CONTAINS:
 - (1) STD DEPTH FLOOR MOUNTED TRAY
 - (2) HYDRAULIC REELS WITH CAPACITY FOR 100' OF HOSE EACH
- COMPARTMENT D5 CONTAINS:
 - (1) SPEEDLAY W/200' OF 1.75\"/>



NOTE
DIMENSIONS SHOWN ARE APPROXIMATE AND ARE SUBJECT TO MINOR DEVIATIONS AS MAY OCCUR OR BE NECESSARY IN CONSTRUCTION. MINOR DETAILS NOT SHOWN.

- NOTES:**
- ONSPOT AUTOMATIC TIRE CHAINS
 - AIR INLET WITH DISCONNECT COUPLING LOCATED IN DRIVER'S SIDE LOWER STEP WELL OF CAB
 - WARN #9,000 PORTABLE WINCH
 - ALUMINUM TREADPLATE SCUFFPLATE ON REAR OF ENGINE TUNNEL
 - S/S SCUFFPLATES ON CAB DOOR JAMBS
 - FLOOR IN CAB AND CREW CAB TO BE PADDED RUBBER
 - KUSSMAUL 1200 CHARGER LOCATED IN SEAT BOX WITH COVER
 - BATTERY CHARGE INDICATOR LOCATED ON DRIVER'S SEAT WITH BRACKET
 - 20A, 120V SHORELINE INLET LOCATED IN DRIVER'S LOWER CAB STEP WELL
 - JUMPER STUDS IN CAB STEP WELL
 - 5/5 \"L\"-SHAPED GUARDS ON ALL BODY ROLL-UP DOORS
 - PIERCE DUAL LED LIGHT STRIPS IN ALL BODY COMPARTMENTS
 - HALE APS5 500 GPM WATER PUMP
 - 20A, 120V 4-PLACE RECEPTACLE IN EACH CREW CAB COMPARTMENT

MAXIMUM O.A.L. 36'-5"
(SIDE ROLL AND FRONTAL IMPACT PROTECTION)

CUSTOMER APPROVAL

APPROVED BY: _____
DATE: _____

REV	DATE	BY	CH	CHASSIS DATA
1	16MAY16	DHE	CDK	MAKE
2	31MAR16	DHE	CDK	PIERCE
3	19FEB16	DHE	AZU	MODEL
4				AXT6720

Pierce MANUFACTURING INC.		JOB NO.	29232
		SCALE	DATE
		1:24	
TITLE		DRAWN BY	03FEB16
HEAVY DUTY RESCUE NON-WALKING WITH 300G WATER TANK		CHECKED BY	AZU 08FEB16
FOR		AMITY FIRE COMPANY	
		AMITY, PA	
DWG NO.		SHEET SIZE	SHEET NO.
29232AD		D	1 OF 1