

**PASSENGER'S SIDE COMPARTMENTS CONTAIN THE FOLLOWING:**

**COMPARTMENT P1 CONTAINS:**

- (1) ELECTRIC CORD REEL W/200' OF 10/4 YELLOW CORD
- (1) 22" DP ADJ SLIDE OUT/TILT TRAY
- (2) 23" DP ADJ SLIDE OUT TRAYS

**COMPARTMENT P2 CONTAINS:**

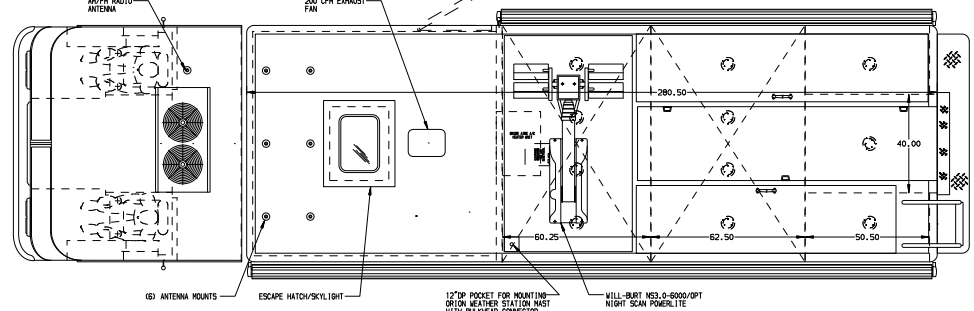
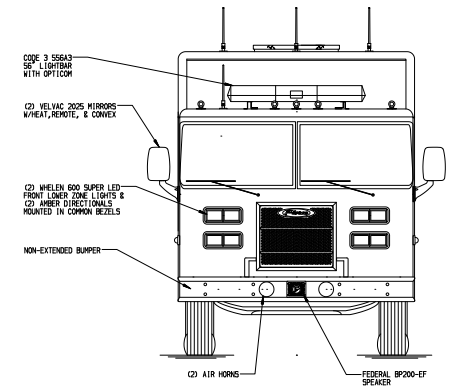
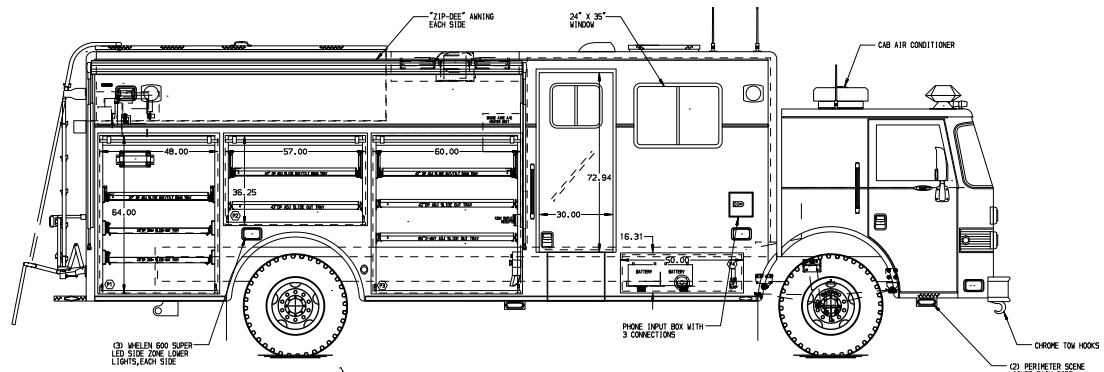
- (1) 42" DP ADJ SLIDE OUT/TILT TRAY
- (1) 42" DP ADJ SLIDE OUT TRAY

**COMPARTMENT P3 CONTAINS:**

- (1) 42" DP ADJ SLIDE OUT/TILT TRAY
- (1) 42" DP ADJ SLIDE OUT TRAY
- (1) 86" 2" DIA ADJ SLIDE OUT TRAY
- (2) 20A, 150V DUPLEX RECEPTACLES
- (1) NIGHT SCAN CONTROLLER

**COMPARTMENT P4 CONTAINS:**

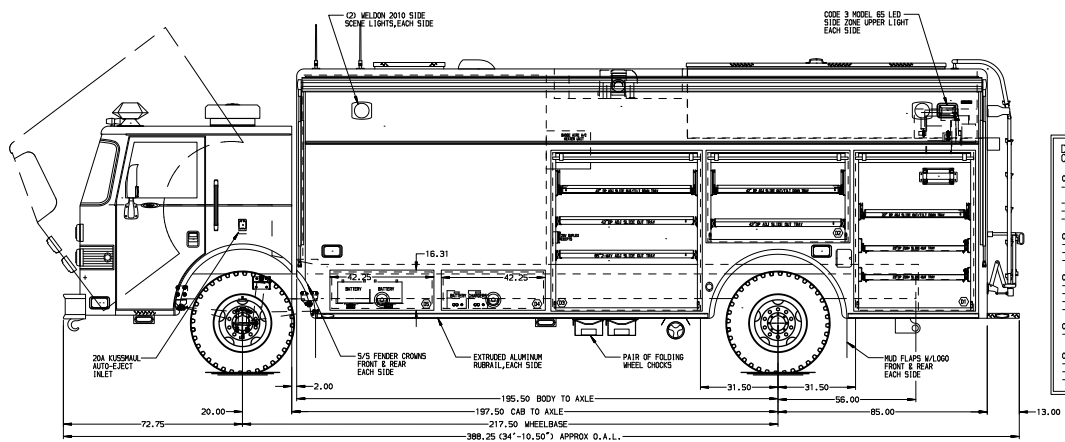
- (2) COMMUNICATION BATTERIES
- (1) SLIDE OUT TRAY FOR BATTERIES
- (1) CAB LIFT PUMP
- (1) AIR OUTLET WITH SHUT-OFF VALVE



**REAR COMPARTMENT CONTAINS THE FOLLOWING:**

**COMPARTMENT R1 CONTAINS:**

- (2) 48" DP ADJ SLIDE OUT TRAYS



**DRIVER'S SIDE COMPARTMENTS CONTAIN THE FOLLOWING:**

**COMPARTMENT D1 CONTAINS:**

- (1) ELECTRIC CORD REEL W/200' OF 10/4 YELLOW CORD
- (1) 22" DP ADJ SLIDE OUT/TILT TRAY
- (2) 23" DP ADJ SLIDE OUT TRAYS

**COMPARTMENT D2 CONTAINS:**

- (1) 42" DP ADJ SLIDE OUT/TILT TRAY
- (1) 42" DP ADJ SLIDE OUT TRAY

**COMPARTMENT D3 CONTAINS:**

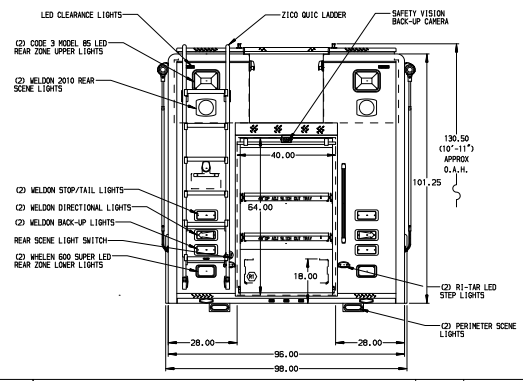
- (1) 42" DP ADJ SLIDE OUT/TILT TRAY
- (1) 42" DP ADJ SLIDE OUT TRAY
- (1) 86" 2" DIA ADJ SLIDE OUT TRAY
- (2) 20A, 150V DUPLEX RECEPTACLES

**COMPARTMENT D4 CONTAINS:**

- (2) POSITIVE BATTERY CHARGER/POWER CONVERTERS

**COMPARTMENT D5 CONTAINS:**

- (4) CHASSIS BATTERIES
- (1) SLIDE OUT TRAY FOR BATTERIES
- (1) AIR OUTLET WITH SHUT-OFF VALVE



**NOTE**

DIMENSIONS SHOWN ARE APPROXIMATE AND ARE SUBJECT TO MINOR DEVIATIONS AS MAY OCCUR OR BE NECESSARY IN CONSTRUCTION. MINOR DETAILS NOT SHOWN.

**NOTES:**

- AIR INLET WITH DISCONNECT COUPLING LOCATED IN THE DRIVER'S SIDE LOWER STEP WELL OF CAB
- ONROAD AUTOMATIC TIRE CHAINS
- FLOOR IN CAB TO BE PORED RUBBER
- ONAN 250A SINGLE PHASE PTI DRIVEN GENERATOR WITH SPLASH GUARD LOCATED BETWEEN THE FRAME RAILS

CUSTOMER APPROVAL				Pierce MANUFACTURING INC.		JOB NO.	22051	
APPROVED BY:						SCALE	DATE	
DATE:						1:24		
			CHASSIS DATA	TITLE	HAZ MAT VEHICLE WALK-IN/NON-WALK-IN COMBO		DRN BY	O2MAROS
			MAKE	FOR	COUNTY OF BUCKS, PA		CHG'D BY	AZU 06MAROS
			MODEL	DWG NO.	22051AD-SH1		SHEET SIZE	SHEET NO.
REV	DATE	BY	CH	SB2000			D	1 of 1