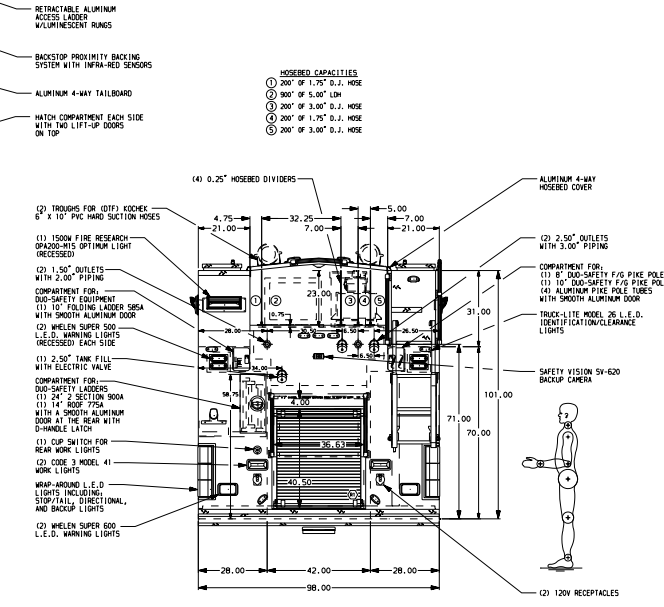
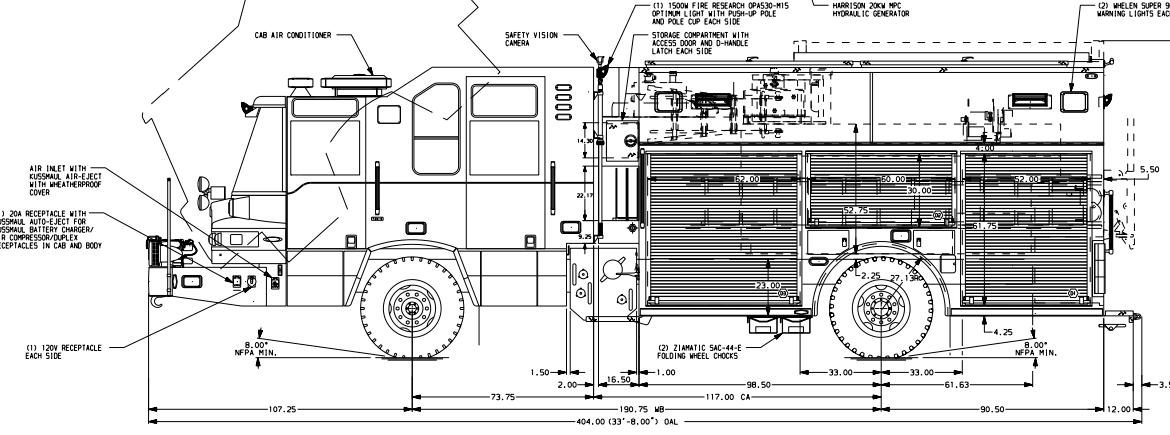


- HOSEBOY CAPACITIES**
- ⊙ 200' OF 1.75" O.D. HOSE
 - ⊙ 300' OF 5.00" LHM
 - ⊙ 200' OF 3.00" O.D. HOSE
 - ⊙ 200' OF 1.75" O.D. HOSE
 - ⊙ 200' OF 3.00" O.D. HOSE



ALUMINUM BODY

- NOTE**
1. 5/8" S/STL SCUFFPLATE ON EACH CAB DOOR JAMB
 2. SUSIUMAL 120V BATTERY CHARGER LOCATED IN DRIVER SIDE HATCH COMPARTMENT
 3. MOUNTING BASES FOR ANTENNAS LOCATED PER SHOP ORDER
 4. ONE ADJUSTABLE TILTING SLIDE-OUT TRAY IN COMPARTMENTS P1 & P2
 5. ONE ADJUSTABLE HEIGHT BRUSHED ALUMINUM SHELVE IN COMPARTMENT D3
 6. CIRCUIT BREAKER PANEL IN DRIVER SIDE FRONT BRASS COMPARTMENT
 7. SUB-RED CIRCUIT BREAKER PANEL IN DRIVER SIDE FRONT BRASS COMPARTMENT
 8. STAINLESS STEEL CROCKS FRONT AND REAR
 9. FINGER LOCK REFLAPS FRONT AND REAR
 10. REINFORCE SCENE LIGHTS LOCATED PER SHOP ORDER
 11. POLISHED 5/8" S/STL SCUFFPLATE CORNER GUARDS ON REAR CAB CORNERS
 12. POLISHED 5/8" S/STL SCUFFPLATE ON REAR OF CAB
 13. KUSUMAL BATTERY SAVER LOCATED IN DRIVER SIDE HATCH COMPARTMENT
 14. AMOR LUMINAR LIGHTS BELOW HOOD COVERS
 15. ONE SLING-OUT REGRABOY TOOLBOARD LOCATED IN COMPARTMENT D3
 16. ONE ADJUSTABLE SLIDE-OUT REGRABOY TOOLBOARD LOCATED IN COMPARTMENTS D3 & P3
 17. ONE FLOOR MOUNTED SLIDE-OUT TRAY LOCATED IN COMPARTMENTS D1 & P1
 18. ONE HANNY ELECTRIC TRILING COOL REEL MODEL 1018-17-18 LOCATED IN HATCH COMPARTMENT ABOVE D1 & P3 WITH 200' OF 10/3 CABLE. SEE EJB JUNCTION BOX, ROLLERS THRU HATCH FLOOR, AND JUNCTION BOX HOLDER
 19. ONE 20A, 120V DUPLEX RECEPTACLE LOCATED IN COMPARTMENTS D2 & P2; TWO ON ENGINE TUNNEL IN CAB

SIDE ROLL PROTECTION

20. LITTLE GIANT LADDER MODEL 17 WITH L-SHAPED PARTITION IN HATCH COMPARTMENT ABOVE D3
21. TWO ADDITIONAL POLY CROSS-AXLE TRAYS
22. ONE ADJUSTABLE SLIDE-OUT TRAY IN COMPARTMENT D3
23. VERTICAL PARTITION IN COMPARTMENTS D1-R1 & P1-R1
24. ONE VERTICAL PARTITION IN COMPARTMENT D3
25. AMOR L.E.D. DUAL LIGHT STRIPS IN ALL COMPARTMENTS
26. AMOR LHM LIGHTS IN HATCH COMPARTMENTS

CUSTOMER APPROVAL

APPROVED BY: _____

DATE: _____

REV	DATE	BY	CH	QUANTUM
01				
02				
03				
04				

CHASSIS DATA

TITLE: 1500-D-1000P W/15 GAL FOAM TANK, 189" PUC BODY (2) XLAYS, LADDERS-THRU BODY, DELUGE, GENERATOR

FOR: PO-MAR-LIN FIRE COMPANY UNIONVILLE, PENNSYLVANIA

DWG NO. 21895AD

<p>PIERCE MANUFACTURING INC.</p>		JOB NO.	21895
		SCALE	DATE
<p>SCALE: 1:24</p>	DATE	24JAN09	
	DRAWN BY	NPA	26JAN09
CHECKED BY	SHA		
SHEET SIZE	D		
SHEET NO.	1		