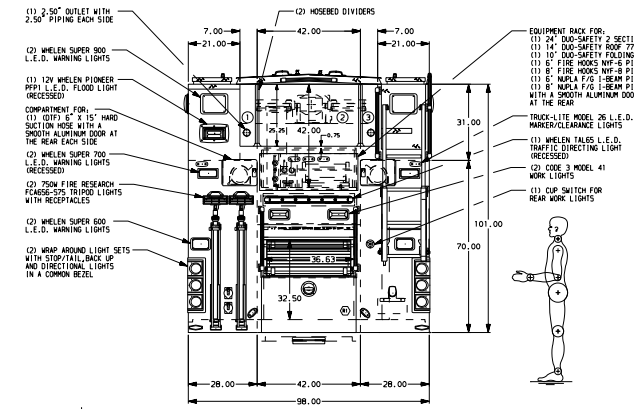


- HOSEBED CAPACITIES
- (1) 250' OF 2.50" O.D.J. HOSE
 - (1) 1200' OF 5.00" O.D.J. HOSE
 - (1) 250' OF 2.50" O.D.J. HOSE



ALUMINUM BODY

- NOTE
1. POLISHED 5/8" STEEL SUFFPLATE ON EACH CAB DOOR JAMB
 2. MOUNTING BASE FOR ANTENNA LOCATED PER SHOP ORDER
 3. ONE PAINTED ADJUSTABLE SLIDE-OUT TRAY IN COMPARTMENTS P1 & P1
 4. ONE PAINTED ADJUSTABLE TILTING SLIDE-OUT TRAY IN COMPARTMENT D3
 5. ONE PAINTED SWING-OUT ALUMINUM TOOL BOARD IN COMPARTMENT P2
 6. ONE PAINTED ALUMINUM SLIDE-OUT TOOL BOARD IN COMPARTMENT D3
 7. HORIZONTAL EQUIPMENT MOUNTING TRACKS IN COMPARTMENT P2
 8. ONE PAINTED ADJUSTABLE SLIT IN COMPARTMENTS D1, D2, D3, P1, P2, P3 & P4
 9. ANOD L.E.D. DUAL LIGHT STRIPS IN ALL BODY COMPARTMENTS
 10. PERIMETER SCENE LIGHTS LOCATED PER SHOP ORDER
 11. CIRCUIT BREAKER PANEL IN COMPARTMENT D3
 12. STAINLESS STEEL FENDER GRINGS FRONT AND REAR
 13. PIERCE LOGO MOLDINGS FRONT AND REAR
 14. AIR LINE WITH DISCONNECT COUPLER AND HOSE LOCATED IN DRIVER'S STEP AREA
 15. AUXILIARY 1200 BATTERY CHARGER/AIR COMPRESSOR LOCATED BEHIND DRIVER'S SEAT
 16. ANOD LUMINA L.E.D. HOSE LIGHTS BEHIND HOSEBED COVER
 17. 250W OIL DRY HOPPER LOCATED IN HATCH COMPARTMENT ABOVE P4
 18. ONE 30A 240V RECEPTACLE LOCATED IN COMPARTMENT P1
 19. ONE 60L-1 IN VERTICAL PARTITION LOCATED IN COMPARTMENTS D1-R1 & P1-R1
 20. ONE 30A 120V 50 AMP DUPLEX RECEPTACLE LOCATED IN CRIB
 21. TWO HANNAY ELECTRIC REWIND HYDRALIC HOSE REELS MODEL 2016-17-18 EACH WITH CAPACITY FOR 100' OF .25" I.D. DUAL HYDRALIC HOSE LOCATED IN COMPARTMENT P1

CUSTOMER APPROVAL

APPROVED BY: _____

DATE: _____

REV	DATE	BY	CH	VEL7020

Pierce MANUFACTURING INC.

JOB NO. 24004

SCALE 1:24

DATE 130CT10

DESIGN BY NPA

CHECKED BY CSH

140CT10

SHEET SIZE D

SHEET NO. 1 of 1

CHASSIS DATA

TITLE 1500-D-750P W/20 GAL FOAM CELL, 214" PUC RESCUE BODY (2) XLAYS, LADDERS BELOW HOSEBED, DELUGE, GENERATOR

FOR BROOKVILLE VOLUNTEER FIRE COMPANY BROOKVILLE, PENNSYLVANIA

DWG NO. 24004AD