

PASSENGER'S SIDE COMPARTMENTS CONTAIN THE FOLLOWING:

COMPARTMENT P1 CONTAINS:

- (1) DIRT DRY HOPPER
- (1) 22" DP ADJ SHELVES
- (1) VERTICAL COMPARTMENT DIVIDER
- (2) 22" DP ADJ SLIDE OUT TOOLBODS

COMPARTMENT P2 CONTAINS:

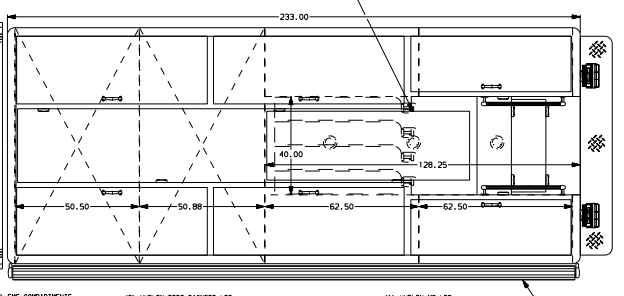
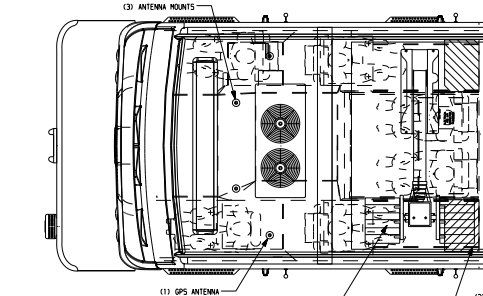
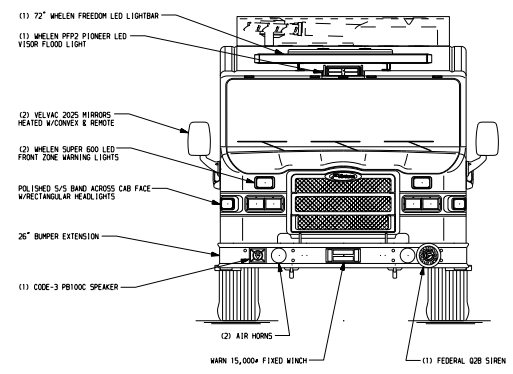
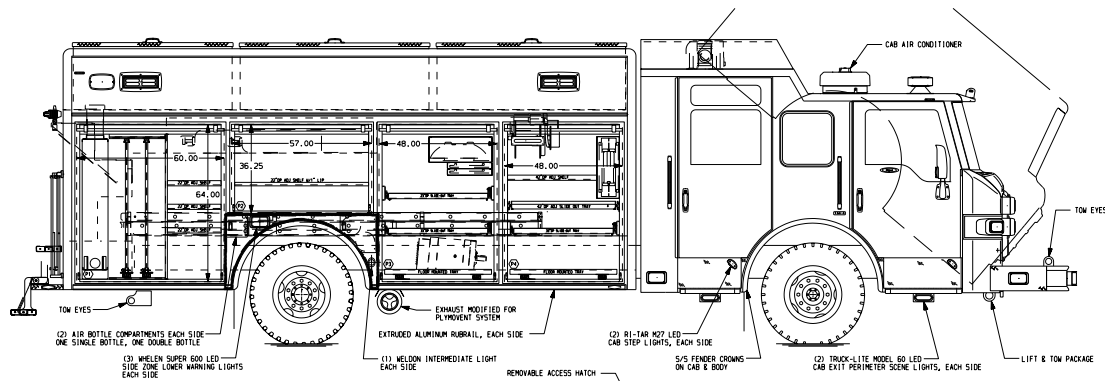
- (1) 22" DP ADJ SHELF W/1" LIP

COMPARTMENT P3 CONTAINS:

- (1) RACK FOR TWO BACKBAGS
- (1) RACK FOR STORES BASKET
- (1) 23" DP FLOOR MOUNTED SLIDE OUT TRAY
- (1) 33" DP ADJ SLIDE OUT TRAY
- (1) 42" DP ADJ SLIDE OUT TRAY
- (1) 23" DP FLOOR MOUNTED SLIDE OUT TRAY

COMPARTMENT P4 CONTAINS:

- (1) RACK FOR LITTLE GIANT LADDER
- (1) 33" DP ADJ SLIDE OUT TRAY
- (1) 23" DP FLOOR MOUNTED SLIDE OUT TRAY
- (1) 42" DP ADJ SLIDE OUT TRAY
- (1) HANNA ELECTRICAL REEL W/200' OF 10/3 YELLOW CORD AND NYLON GUIDE



REAR COMPARTMENT CONTAINS THE FOLLOWING:

COMPARTMENT R1 CONTAINS:

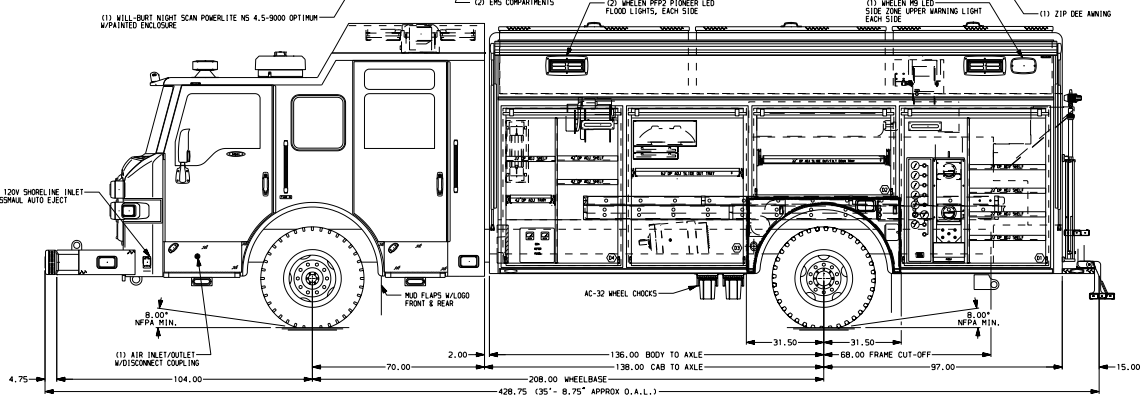
- (1) 22" DP ADJ SHELVES
- (1) 23" DP FLOOR MOUNTED SLIDE OUT TRAY

COMPARTMENT R2 CONTAINS:

- (1) ALCO-LITE 24' REL-24 2 SECTION LADDER
- (1) ALCO-LITE 14' PFC-14 ROOF LADDER
- (1) RACK FOR 10' FOLDING LADDER

COMPARTMENT R3 CONTAINS:

- (4) 6000 UN STORAGE CYLINDERS



DRIVER'S SIDE COMPARTMENTS CONTAIN THE FOLLOWING:

COMPARTMENT D1 CONTAINS:

- (4) 22" DP ADJ SHELVES
- (1) VERTICAL COMPARTMENT DIVIDER
- (1) SPOKESMAN MODEL 120A FULL ENCLOSURE W/CUSTOM AIR CONTROL PANEL
- (1) HANNA OPERATING AIR REEL W/150' OF HOSE AND NYLON GUIDE

COMPARTMENT D2 CONTAINS:

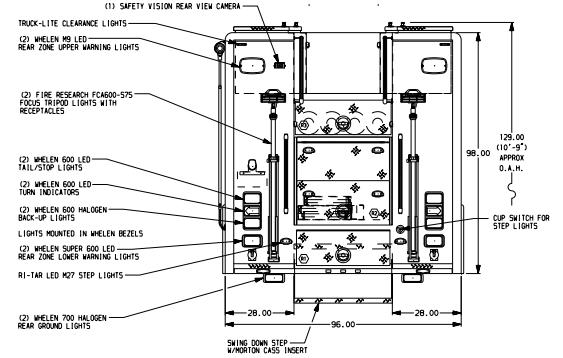
- (1) 22" DP ADJ SLIDE OUT/TILT DOWN TRAY

COMPARTMENT D3 CONTAINS:

- (1) 42" DP ADJ SHELVES
- (1) RACK FOR TWO BACKBAGS
- (1) RACK FOR STORES BASKET
- (1) 82" DP ADJ SLIDE OUT TRAY

COMPARTMENT D4 CONTAINS:

- (1) 42" DP ADJ SHELVES
- (1) VERTICAL COMPARTMENT DIVIDER
- (1) CROUCH BREAKER PANEL
- (1) GENERATOR METER PANEL
- (1) LIGHT SWITCH CONTROLLER
- (1) HANNA ELECTRICAL REEL W/200' OF 10/3 YELLOW CORD AND NYLON GUIDE
- (1) 42" DP ADJ SLIDE-OUT TRAY
- (1) 22" DP ADJ SHELF



NOTE:

DIMENSIONS SHOWN ARE APPROXIMATE AND ARE SUBJECT TO MINOR DEVIATIONS AS MAY OCCUR OR BE NECESSARY IN CONSTRUCTION.

- NOTES:**
- 1) ON-SPOT AUTOMATIC FIRE CHAINS
 - 2) PADDED RUBBER FLOOR IN CAB & CREW CAB
 - 3) 5/8\"/>

FRONTAL IMPACT PROTECTION
SIDE ROLL PROTECTION

CUSTOMER APPROVAL			JOB NO.	
APPROVED BY:			23920	
DATE:			SCALE 1:24	
CHASSIS DATA			DATE	
TOMAR11	DHE	MPE	HEAVY DUTY RESCUE NON-WALKIN	
1106210	KVE	MPE	FOR UPPER DUBLIN TOWNSHIP FORT WASHINGTON, PA	
1302110	KVE	MPE	DRAWN BY KVE 16SEP10	
REV	DATE	BY	CHECKED BY MPE 9/16/10	
		CH	SHEET SIZE D	
1X7010			SHEET NO. 1 of 1	

Pierce MANUFACTURING INC.

23920AD