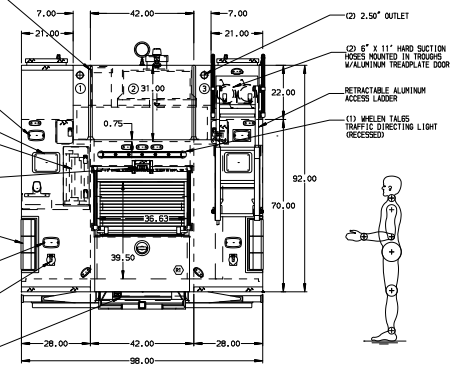


HOSEED CAPACITIES

① - 300' of 3.00" D.J. POLY HOSE

② - 1500' of 5.00" D.J. POLY HOSE

③ - 300' of 3.00" D.J. POLY HOSE



ALUMINUM BODY

MAXIMUM O.A.L. 396.00"

NOTE
DIMENSIONS SHOWN ARE APPROXIMATE AND ARE SUBJECT TO MINOR DEVIATIONS AS MAY OCCUR OR BE NECESSARY IN CONSTRUCTION.
MINOR DETAILS NOT SHOWN.

1. MOUNTING BASE FOR ANTENNA LOCATED PER SHIP ORDER
2. VEHICLE DATA RECORDER
3. 8.00" PORTABLE WINCH WITH 125' OF .31" CABLE
4. BATTERY CHARGER LOCATED IN DRIVER SIDE HATCH COMPARTMENT
5. ONE FULL WIDTH AND FULL DEPTH STYLE ADJUSTABLE SLIDE-OUT TRAY IN COMPARTMENT D3
6. ONE 0.18" SWING-IN ALUMINUM TOOLBOX IN COMPARTMENT D2
7. ONE VERTICAL PARTITION IN COMPARTMENT P3
8. ONE ADJUSTABLE SHELF IN COMPARTMENT D1, TWO IN P1 AND P3
9. PERIMETER SCENE LIGHTS LOCATED PER SHIP ORDER
10. CIRCUIT BREAKER PANEL IN DRIVER SIDE FRONT BRASS COMPARTMENT
11. ONE ARMY ELECTRIC SWIND CORD REEL LOCATED HATCH COMPARTMENT
12. ONE ARMY ELECTRIC SWIND CORD REEL LOCATED HATCH COMPARTMENT ABOVE COMPARTMENT D3 WITH 200' OF 10/3 CABLE
13. ONE HAWAY ELECTRIC LOCATED AIR BELT MODEL 155-17-18 WITH 150' OF 3/8" I.D. HOSE LOCATED IN HATCH COMPARTMENT ABOVE COMPARTMENT D3
14. (1) 200V RECEPTACLE LOCATED IN COMPARTMENT D3
15. (1) 120V DUPLEX RECEPTACLE LOCATED IN THE EMS COMPARTMENT IN THE CAB
16. (1) 120V AIR COMPRESSOR LOCATED BEHIND THE DRIVER'S SEAT
17. ONE FULL WIDTH AND FULL DEPTH STYLE ADJUSTABLE TILTING SLIDE-OUT TRAY LOCATED IN COMPARTMENTS D3, P1 AND P3, TWO IN P3
18. MOUNTING PROVISIONS FOR (2) HARSH HYDRA-LIC REELS IN HATCH COMPARTMENT ABOVE D1
19. POLISHED STAINLESS STEEL SCRAPPLATES ON CAB DOOR JAMBS

CUSTOMER APPROVAL			
APPROVED BY:			
DATE:			
CHASSIS DATA			
TITLE	1500-D-750 750 GAL WATER, 40 GAL FOAM TANK 189" BODY		
FOR	PUC, (3) X-LAYS, FRONT INLET, LADDERS THRU DS BODY		
	KREAMER VOLUNTEER FIRE COMPANY		
	KREAMER, PA		
DWG NO.	23543AD		
REV	DATE	BY	CH
			VEL7010

Pierce MANUFACTURING INC.		JOB NO.	23543
SCALE	1:24	DATE	
DRAWN BY	SEJL	DATE	21APR10
CHECKED BY	B21	DATE	23APR10
SHEET SIZE	D	SHEET NO.	1 of 1