

PASSENGER'S SIDE COMPARTMENTS CONTAIN THE FOLLOWING:

COMPARTMENT P1 CONTAINS:

- (1) 20" OP FLOOR MOUNTED TRAY
- (1) HORIZONTAL COMPARTMENT DIVIDER
- (1) REMOTE AC TOGGLE SWITCH FOR RECEPTACLE
- (1) 30A 240V T.L. RECEPTACLE
- (1) GENESIS MACH I (1) OUTLINE HYDRAULIC POWER UNIT WITH MOUNTING BRACKET
- (2) HYDRAULIC REELS W/100' OP HOSE, EACH REEL

COMPARTMENT P2 CONTAINS:

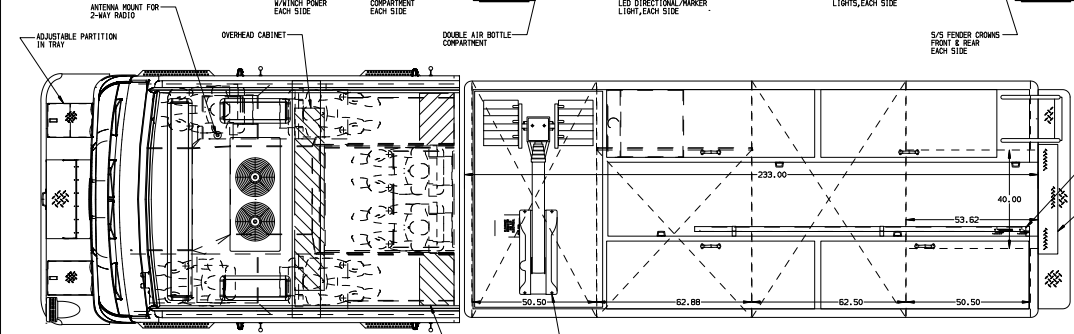
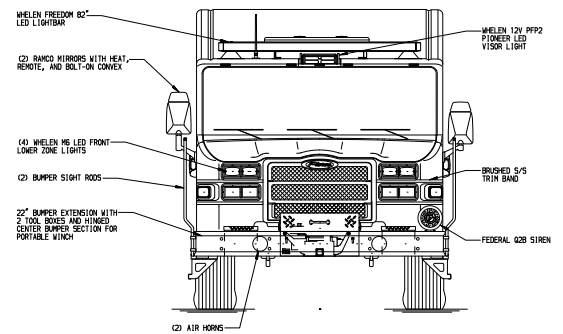
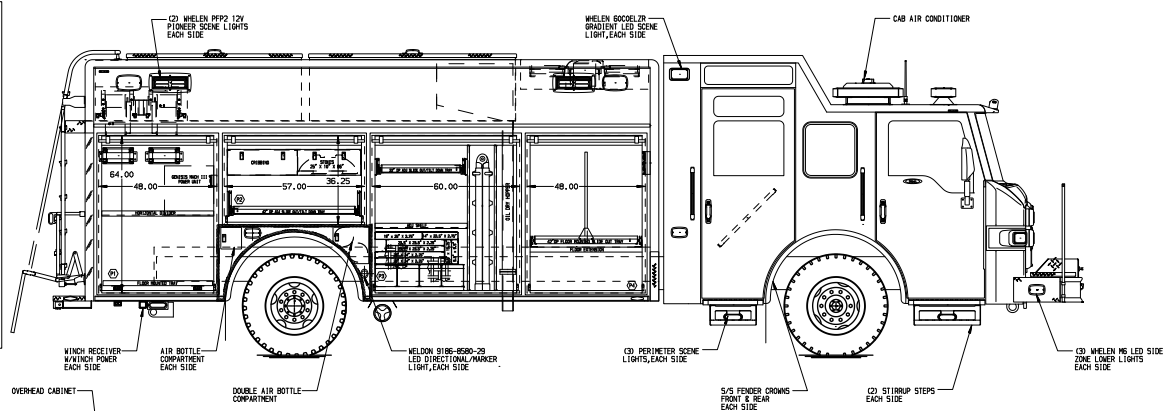
- (1) 42" OP ADA SLIDE OUT/ILT TRAY
- (1) RACK FOR STOKES BASKET
- (1) RACK FOR CRIBBING

COMPARTMENT P3 CONTAINS:

- (1) REAR WALL COMPARTMENT DIVIDER
- (2) VERTICAL COMPARTMENT DIVIDERS
- (1) 22" OP ADA SLIDE OUT/ILT TRAY
- (1) OIL DRY HOPPER
- (1) RACK FOR AIR BAGS & R/WOOD
- (1) CARGO RETENTION NETTING MOUNTED IN LOWER PORTION OF COMPARTMENT
- (1) LITTLE GIANT MODEL 17 LADDER
- (1) RACK FOR 4 EXTINGUISHERS
- (1) 22" OP ADA SHELF

COMPARTMENT P4 CONTAINS:

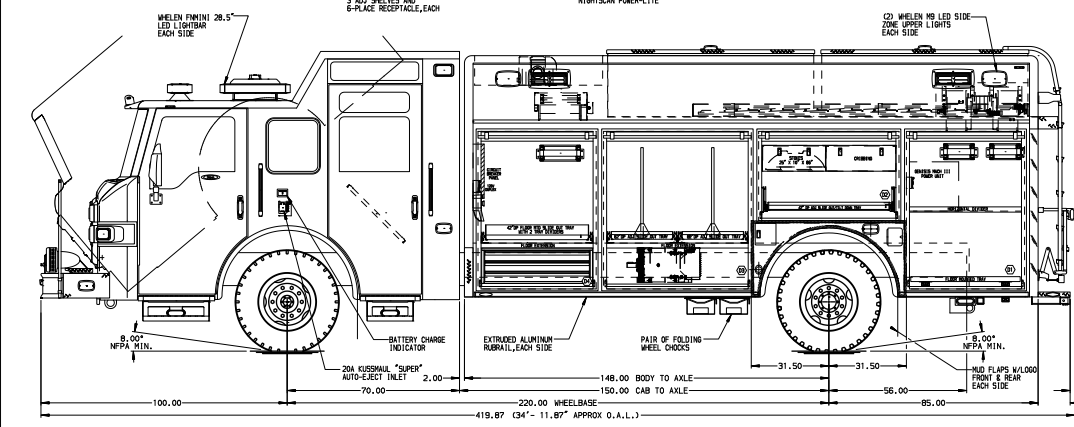
- (1) 42" OP FLOOR WITH SLIDE OUT TRAY
- (1) TOOLBOARD MOUNTED IN TRAY
- (1) HORIZONTAL FLOOR EXTENSION
- (1) 15A 120V 4-PLACE RECEPTACLE



REAR COMPARTMENT CONTAINS THE FOLLOWING:

COMPARTMENT R1 CONTAINS:

- (1) 22" OP ADA SHELF
- (1) CARGO RETENTION NETTING



DRIVER'S SIDE COMPARTMENTS CONTAIN THE FOLLOWING:

COMPARTMENT D1 CONTAINS:

- (1) 20" OP FLOOR MOUNTED TRAY
- (1) HORIZONTAL COMPARTMENT DIVIDER
- (1) REMOTE AC TOGGLE SWITCH FOR RECEPTACLE
- (1) 30A 240V T.L. RECEPTACLE
- (1) GENESIS MACH I (1) OUTLINE HYDRAULIC POWER UNIT WITH MOUNTING BRACKET
- (2) HYDRAULIC REELS W/100' OP HOSE, EACH REEL

COMPARTMENT D2 CONTAINS:

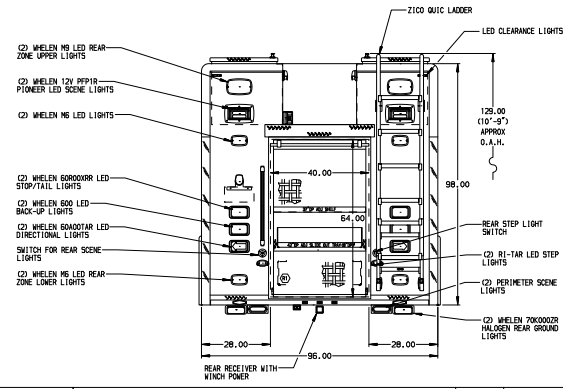
- (1) 20" OP ADA SLIDE OUT/ILT TRAY
- (1) RACK FOR STOKES BASKET
- (1) RACK FOR CRIBBING

COMPARTMENT D3 CONTAINS:

- (1) 42" OP REAR W/5 SLIDE OUT TRAYS
- (2) TOOLBOARDS MOUNTED IN TRAYS
- (1) REAR WALL COMPARTMENT DIVIDER
- (1) HORIZONTAL FLOOR EXTENSION

COMPARTMENT D4 CONTAINS:

- (1) 42" OP FLOOR WITH SLIDE OUT TRAY (6\"/>



NOTE: DIMENSIONS SHOWN ARE APPROXIMATE AND ARE SUBJECT TO MINOR DEVIATIONS AS MAY OCCUR OR BE NECESSARY IN CONSTRUCTION. MINOR DETAILS NOT SHOWN.

NOTES:

- AIR INLET WITH DISCONNECT COUPLING LOCATED IN DRIVER'S SIDE LOWER STEP WELL OF CAB
- FLOOR IN CAB AND CREW CAB TO BE PADDED RUBBER
- W/5 9,000' PORTABLE W/5
- EXTRUDED ALUMINUM 1200 CHANNEL LOCATED BEHIND THE DRIVER'S SEAT
- BRUSHED ALUMINUM ANVIL FRONT BODY CORNER
- BRUSHED ALUMINUM BODY CORNERS FULL HEIGHT OF COMPARTMENT
- 9,000' TIE DOWN
- FULL STRAPS FOR ALL TRAILER UP DOORS
- W/5 GUARDS OVER ALL ROLL-UP DOORS

- ADDITIONAL INTERIOR HANDRAIL ON EACH CREW CAB DOOR
- WOOD LED COMPARTMENT LIGHTS IN EACH BODY COMPARTMENT
- FRONT BODY SINGLE PANELS P/O DRIVER SEAT OR WITH SPLASH GUARD LOCATED BETWEEN THE FRAME RAILS
- 15A 120V 6-PLACE RECEPTACLE P/O DRIVER SEAT ON EACH SIDE THE ENGINE TUNNEL BEHIND DRIVER AND OFFICER'S SEATS
- ON-BOAT AUTOMATIC TIE DOWN BY REAR AXLE

CUSTOMER APPROVAL					JOB NO.	
APPROVED BY:	DATE:	CHASSIS DATA	TITLE	SCALE	DATE	23462
[Signature]	16JUL10	DHE MPE	HEAVY DUTY RESCUE NON-WALKIN	1:24		
[Signature]	05MAY10	DHE CDK	LOWER BURRELL VFC #3		07APR10	
[Signature]	15MAY10	DHE AZU	FOR LOWER BURRELL, PA		08APR10	
[Signature]	15MAY10	DHE AZU	W/5			
REV	DATE	BY	CH	1X7020		

**Pierce MANUFACTURING INC.**

23462AD

D 1 of 1