

PASSENGER'S SIDE COMPARTMENTS CONTAIN THE FOLLOWING:

COMPARTMENT P1 CONTAINS:

- (1) RACK FOR 8 SEBA BOTTLES

COMPARTMENT P2 CONTAINS:

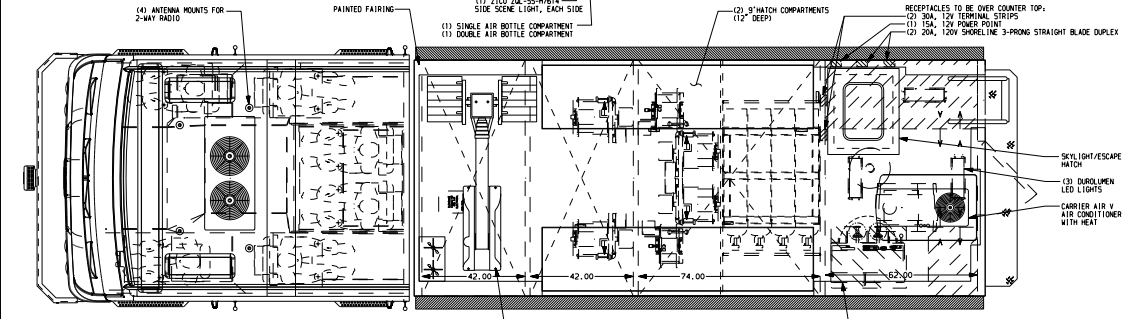
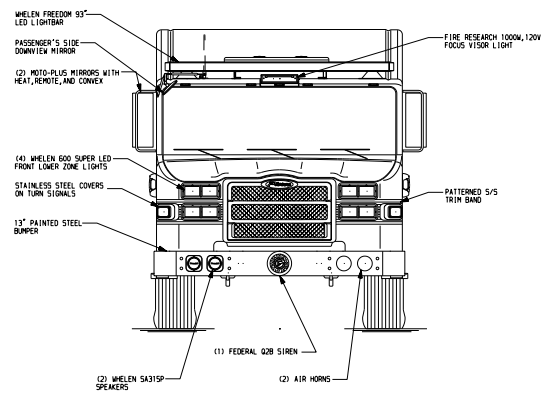
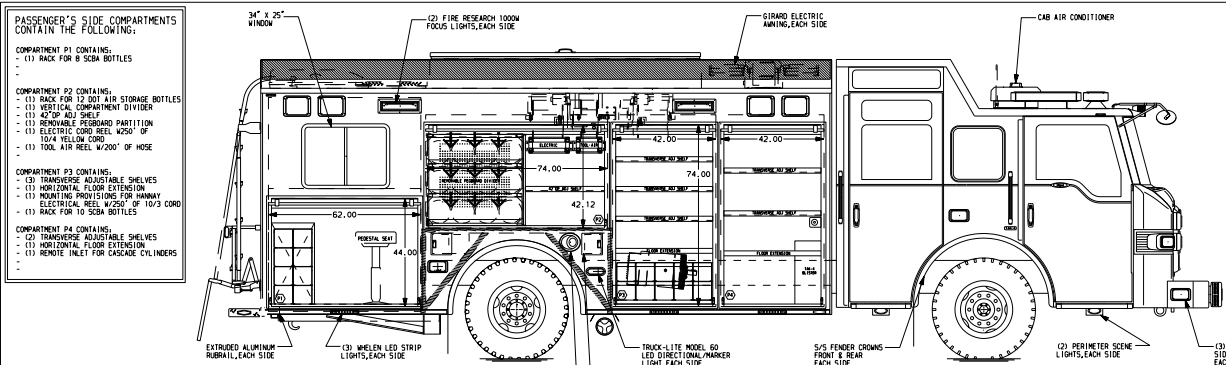
- (1) RACK FOR 12 DOT AIR STORAGE BOTTLES
- (1) VERTICAL COMPARTMENT DIVIDER
- (1) 42" SP ADJ SHELF
- (1) REMOVABLE PERIGARD PARTITION
- (1) ELECTRIC CORD REEL W/20' OF 10/4 YELLOW CORD
- (1) 100A AIR REEL W/200' OF HOSE

COMPARTMENT P3 CONTAINS:

- (2) TRANSVERSE ADJUSTABLE SHELVES
- (1) HORIZONTAL FLOOR EXTENSION
- (1) MOUNTING PROVISIONS FOR HANWAY ELECTRICAL REEL W/200' OF 10/3 CORD

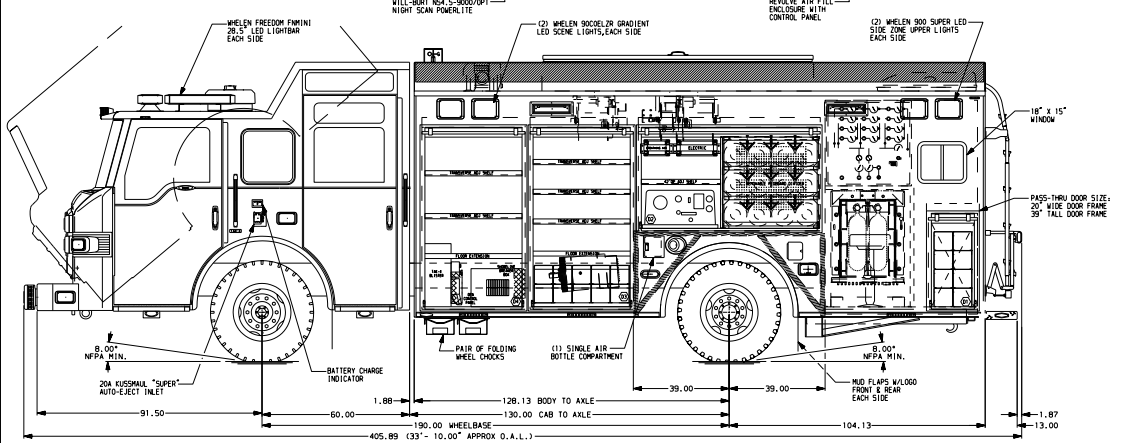
COMPARTMENT P4 CONTAINS:

- (2) TRANSVERSE ADJUSTABLE SHELVES
- (1) HORIZONTAL FLOOR EXTENSION
- (1) REMOTE INLET FOR CASCADE CYLINDERS



RECEPTACLES TO BE OVER CENTER TOP:

- (1) 30A, 12V TERMINAL STRIPS
- (1) 15A, 12V POWER POINT
- (1) 20A, 120V SHORELINE 3-PRONG STRAIGHT BLADE DUPLEX



DRIVER'S SIDE COMPARTMENTS CONTAIN THE FOLLOWING:

COMPARTMENT D1 CONTAINS:

- (1) RACK FOR 8 SEBA BOTTLES

COMPARTMENT D2 CONTAINS:

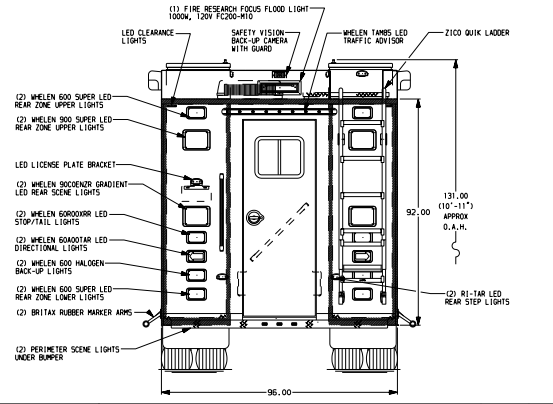
- (1) RACK FOR 12 DOT AIR STORAGE BOTTLES
- (1) VERTICAL COMPARTMENT DIVIDER
- (1) 42" SP ADJ SHELF
- (1) REMOVABLE PERIGARD PARTITION
- (1) ELECTRIC CORD REEL W/20' OF 10/4 YELLOW CORD
- (1) BREATHING AIR REEL W/200' OF HOSE
- (1) BOOSTER PUMP

COMPARTMENT D3 CONTAINS:

- (2) TRANSVERSE ADJUSTABLE SHELVES
- (1) HORIZONTAL FLOOR EXTENSION
- (1) MOUNTING PROVISIONS FOR HANWAY ELECTRICAL REEL W/200' OF 10/3 CORD
- (1) RACK FOR 10 SEBA BOTTLES

COMPARTMENT D4 CONTAINS:

- (2) TRANSVERSE ADJUSTABLE SHELVES
- (1) HORIZONTAL FLOOR EXTENSION
- (1) GENERATOR PETER PANEL
- (1) NIGHT SUN CONTROLLER
- (1) SHORELINE BREAKER PANEL



NOTE:

DIMENSIONS SHOWN ARE APPROXIMATE AND ARE SUBJECT TO MINOR DEVIATIONS AS MAY OCCUR OR BE NECESSARY IN CONSTRUCTION.

MINOR DETAILS NOT SHOWN.

NOTES:

- AIR INLET WITH DISCONNECT COUPLING LOCATED IN THE DRIVER'S SIDE CAB STEP WELL
- ONOFF AUTOMATIC TIRE SHAVING
- FLOOR IN CAB AND CREW CAB TO BE PADDED RUBBER
- S/S SCUFFPLATE ON REAR OF ENGINE TUNNEL
- S/S SCUFFPLATES ON CAB DOOR JAMBS
- RUSSMIL PUMP PLUS 1200 CHARGER LOCATED BEHIND DRIVER'S SEAT
- S/S ROLL UP DOOR GUARDS ON ALL ROLL UP DOORS
- RACK STRAPS IN COMPARTMENTS D2, D3, D4, P2, P3, P4
- ANDOR LED STRIP LIGHTS IN ALL ROLL-UP DOOR COMPARTMENTS
- OVAN NOW, 2009 THREE PHASE P10 DRIVEN GENERATOR WITH SPLASH GUARD LOCATED BETWEEN THE FRAME RAILS

FRONTAL IMPACT PROTECTION
SIDE ROLL PROTECTION

CUSTOMER APPROVAL

APPROVED BY:		DATE:	
17JUN10	DHE	17JUN10	DHE
25MAY10	DHE	25MAY10	KVE
25MAY10	DHE	25MAY10	ALZ
REV	DATE	BY	CH

Pierce MANUFACTURING INC.

JOB NO. 23418

SCALE 1:24

DATE 11MAR10

DRAWN BY DHE

CHECKED BY AZU

DATE 12MAR10

SHEET SIZE D

SHEET NO. 1 of 1

CHASSIS DATA

TITLE ENCORE RESCUE VEHICLE 42.42.74.CMD

FOR EAGLE FIRE COMPANY NO.2 HANOVER, PA

NO. 23418AD