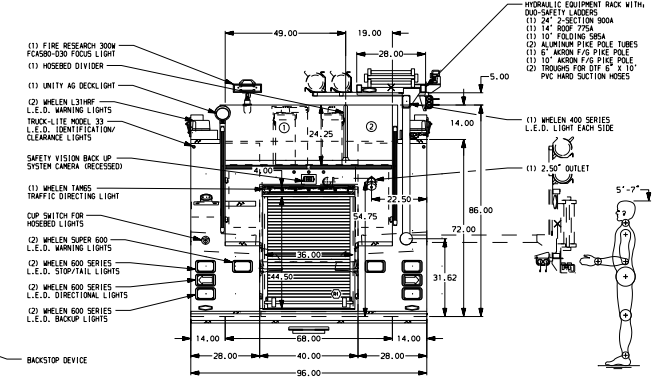


HOUSED CAPACITIES
 (1) 100' OF 3.00" O.D. POLY HOSE
 (2) 500' OF 2.50" O.D. POLY HOSE



ALUMINUM BODY

SIDE ROLL PROTECTION

NOTE
 DIMENSIONS SHOWN ARE APPROXIMATE AND ARE SUBJECT TO MINOR DEVIATIONS AS MAY OCCUR OR BE NECESSARY IN CONSTRUCTION.
 MINOR DETAILS NOT SHOWN.

- ONEPIE AUTOMATIC TIRE CHAINS
- PIERCE LOG WELFAPS FRONT AND REAR
- SOFTLY SCUFFPLATE ON EACH CAB DOOR JAMB
- MOUNTING BASE FOR ANTENNA LOCATED PER SHOP ORDER
- VEHICLE DATA RECORDER
- KUSSMAUL PUMP RLS-1700 BATTERY CHARGER LOCATED IN CREW CAB SEAT RISER
- ONE FLOOR MOUNTED SLIDE-OUT TRAY IN COMPARTMENTS D1, P1, P3 & R1
- ONE SWING-OUT TOOL BOARD WITH REDBOARD PATTERN IN COMPARTMENT P2
- BOLI-IN PARTITION BETWEEN COMPARTMENTS D1-R1 AND P1-R1
- ONE ADJUSTABLE SHELF IN COMPARTMENTS D2 & P1, TWO IN D1
- STAINLESS STEEL FINISH GROWS FRONT AND REAR
- L.E.D. PERIMETER SIZING LIGHTS LOCATED PER SHOP ORDER
- CIRCUIT BREAKER PANEL IN COMPARTMENT D3
- ONE ADJUSTABLE SLIDE-OUT TRAY LOCATED IN COMPARTMENT D3
- STORAGE BACK FOR (2) FIRE EXTINGUISHERS LOCATED IN COMPARTMENT D3
- THREE AIR BOTTLE BRACKETS WITH TRACKS LOCATED ON FLOOR OF THE SLIDE-OUT TRAY IN D3
- ONE 20A 120V SENSITIVE 6-PLACE RECEPTACLE LOCATED IN COMPARTMENT D3
- ONE HANNAY ELECTRIC REWIND HYDRAULIC REEL 2018-17-18 WITH CAPACITY FOR 100' OF .25" DUAL HYDRAULIC HOSE LOCATED IN COMPARTMENT P3

CUSTOMER APPROVAL

APPROVED BY:	
DATE:	
CHASSIS DATA	TITLE
20APR10 SHI SHA	2000-D-750P, 50 & 30 GALLON FOAM CELLS, 152" BODY
20APR10 SHI SHA	(3) SPEEDLAYS, HYD LADDER RACK, WILL-BURT LIGHT MAST
20APR10 NPA SHA	FOR VANPORT VOLUNTEER FIRE COMPANY
20APR10 NPA SHA	VANPORT, PENNSYLVANIA
REV	DATE
BY	CH
VEL7010	

Pierce MANUFACTURING INC.

JOB NO. 23186

SCALE 1:24

DATE

DRWN BY SHI

CHECKED BY SHA

SHEET SIZE D

SHEET NO. 1 of 1

23186AD