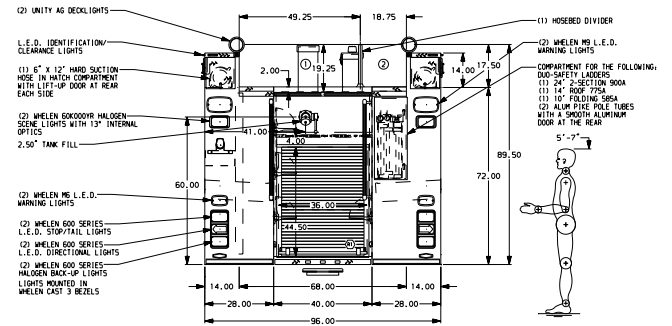


HOSEBELLS CAPACITIES  
 (1) 1000' OF 5.00" D.J. POLY HOSE  
 (2) 500' OF 2.50" D.J. POLY HOSE



ALUMINUM BODY

MAXIMUM O.A.H. 115.00"

**NOTE**  
 DIMENSIONS SHOWN ARE APPROXIMATE AND ARE SUBJECT TO MINOR DEVIATIONS AS MAY OCCUR OR BE NECESSARY IN CONSTRUCTION.  
 MINOR DETAILS NOT SHOWN.

- ONE AIR INLET WITH DISCONNECT COUPLING LOCATED ON D.S. PUMP PANEL
- THREE (3) HOSE REELPS LOCATED FRONT AND REAR
- 5/8" FENDER CHAINS LOCATED FRONT AND REAR
- MOUNTING BRACES FOR ANTENNAS LOCATED IN COMPARTMENT 03
- REARWARD BATTERY CHARGER LOCATED IN COMPARTMENT 03
- BATTERY CHARGE INDICATOR LOCATED ON D.S. SEAT RISER
- 5/8" PROTECTIVE GUARD FOR ROLL-UP DOOR LOCATED IN EACH COMPARTMENT
- COMBINO 2000 SINGLE AGENT FOAM SYSTEM
- PERIMETER SCENE LIGHTS LOCATED PER SHOP ORDER
- CIRCUIT BREAKER PANEL IN COMPARTMENT P3

- VERTICAL TRACKS ONLY, FOR SHELVES IN COMPARTMENTS 01, 03, P1, P3 & R1
- ONE ANCHOR ELECTRIC HEAVY DUTY WHEEL MODEL F96C-15-10 WITH CAPACITY FOR 200' OF 10/3 CABLE LOCATED ONE EACH SIDE OF CHASSIS BOX AND HOLDER
- ONE 15A 120V DUPLEX RECEPTACLE LOCATED IN COMPARTMENTS 02 & P2
- THREE 15A 120V DUPLEX RECEPTACLES LOCATED IN CAB
- ONE 15A 120V DUPLEX RECEPTACLE LOCATED IN COMPARTMENT P3
- ONE SLIDE-OUT TOOLBOARD IN COMPARTMENT 01
- ONE SLIDE-OUT TOOLBOARD IN COMPARTMENTS 02 & 03
- ONE SLIDE-OUT TOOLBOARD IN COMPARTMENTS 01 & P3
- ONE ADJUSTABLE SHELF IN COMPARTMENTS 01 & P3
- ONE ADJUSTABLE SLIDE-OUT TRAY IN COMPARTMENTS 03 & R1

- EQUIPMENT MOUNTING TRACKS ON REAR TANK WALL OF COMPARTMENT P2

**CUSTOMER APPROVAL**

APPROVED BY:	
DATE:	
CHASSIS DATA	
TITLE	
REV	



**MANUFACTURING INC.**

TITLE: 1250-D-750P, 30 GALLON FOAM CELL, 161" RESCUE BODY (2) SPEEDLAYS, WILL-BURT LIGHT LADDERS THRU PS BODY FOR EARL TOWNSHIP FIRE COMPANY BOYERTOWN, PA

DWG NO. 23042AD

JOB NO.	23042
SCALE	1:24
DATE	
DRAWN BY	MDO
CHECKED BY	BZ1
SHEET SIZE	1 of 1