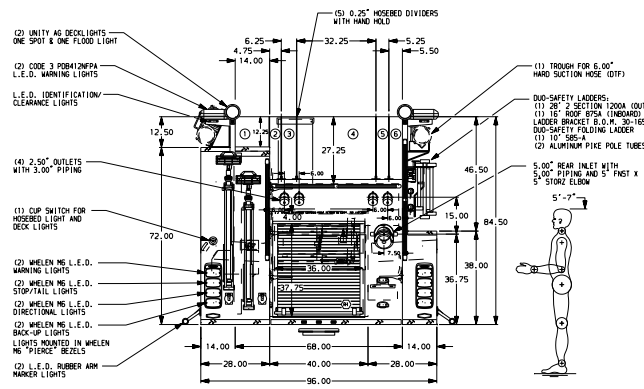
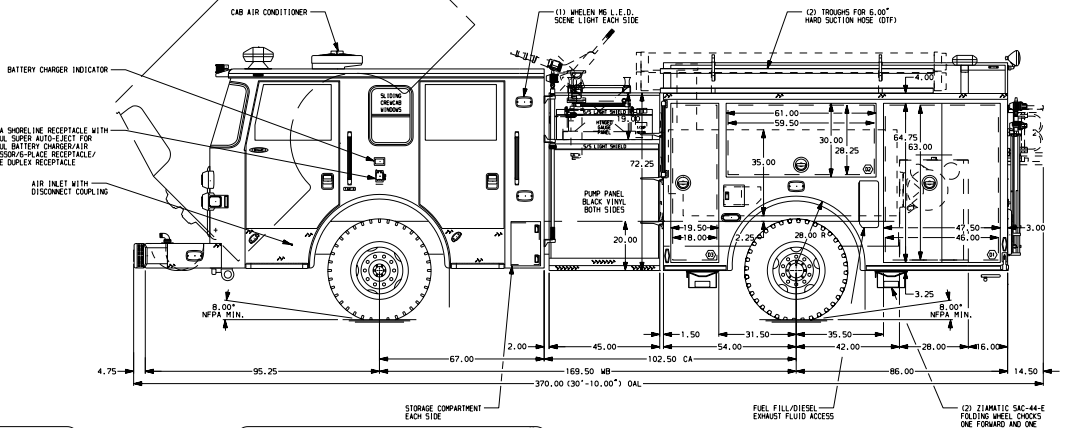


- HOSEBED CAPACITIES
- ① 50' OF 2.00" O.D. HOSE
  - ② 50' OF 2.00" O.D. HOSE
  - ③ 200' OF 3.00" O.D. HOSE
  - ④ 1250' OF 5.00" L.O.H. HOSE
  - ⑤ 250' OF 2.50" O.D. HOSE
  - ⑥ 200' OF 2.50" O.D. HOSE



ALUMINUM BODY

MAXIMUM O.A.H. 116.00"

NOTE  
DIMENSIONS SHOWN ARE APPROXIMATE AND ARE SUBJECT TO MINOR DEVIATIONS AS MAY OCCUR OR BE NECESSARY IN CONSTRUCTION.  
MINOR DETAILS NOT SHOWN.

1. 5/16" SCUFFPLATE ON EACH CAB DOOR JAMB
2. STAINLESS STEEL FENDER GRINGS FRONT AND REAR
3. KUSSMALL PUMP PLUS 1200 BATTERY CHARGER MOUNTED BEHIND PASSENGER'S SIDE SEAT
4. REVERSED SCENE LIGHTS LOCATED PER SHWP ORDER
5. REVERSED HINGED DOOR ON COMPARTMENT D3
6. 5/16" SCUFFPLATE INTERIOR OF DOOR IN COMPARTMENTS D1, D2, D3, P1 & P2
7. PIERCE L.E.D. COMPARTMENT DUAL LIGHT STRIPS LOCATED PER SHWP ORDER
8. THE FLOOR MOUNTED SLIDE-OUT TRAY IN COMPARTMENT D2
9. TWO SLIDE-OUT TOOL BORDERS IN COMPARTMENT D1
10. ALL FOLDING STEPS TO BE TRUSSED WITH INTEGRATED L.E.D. LIGHT UNLESS SPECIFIED
11. CIRCUIT BREAKER PANEL IN COMPARTMENT D3
12. STAINLESS STEEL FENDER GRINGS FRONT AND REAR
13. PIERCE LOGO WHEELPLANS FRONT AND REAR
14. AIR OUTLET WITH SHUT OFF VALVE LOCATED ON D.S. PUMP PANEL
15. RUD AUTOMATIC TIRE CHAINING
16. PIERCE EXT. L.E.D. LIGHT STICK HOSEBED LIGHTING
17. ONE HANNAY ELECTRIC REWIND CORD REEL MODEL 1618-17-18 LOCATED IN COMPARTMENT R1 WITH 200' OF 1.00" CABLE AND ARROW JUNCTION KEY
18. ONE 15A, 120V 6-PLACE RECEPTACLE STRIP LOCATED IN D.S. CAB COMPARTMENT
19. ONE 15A, 120V 4-PLACE DUPLEX RECEPTACLE LOCATED IN CAB

CUSTOMER APPROVAL			
APPROVED BY:			
DATE:	CHASSIS DATA	TITLE	NO.
		2000-D-500 GAL POLY, 140" FH FD D.S., LOW P.S. SIDE CONTROL, DELUGE, GENERATOR, BOOSTER REEL	
		FOR NORTHUMBERLAND FIRE COMPANY NO. 1	
		NORTHUMBERLAND, PENNSYLVANIA	
		DWG NO.	25363AD
REV	DATE	BY	CH
			AX6700

Plotco MANUFACTURING INC.		JOB NO.	25363
		SCALE	DATE
		1:24	
		DRAWN BY	OSDEC11
		CHECKED BY	CSH 06DEC11
		SHEET SIZE	D
		SHEET NO.	1 of 1