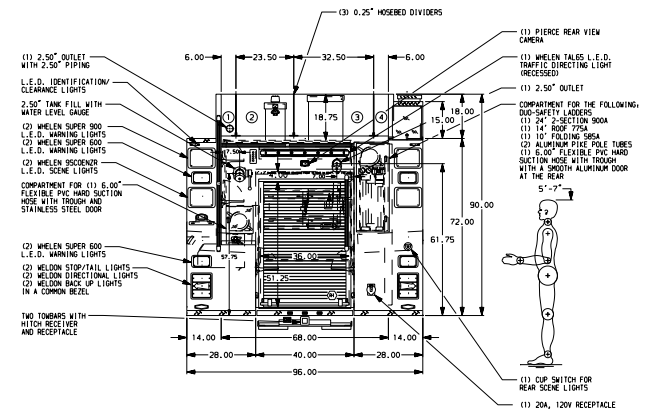
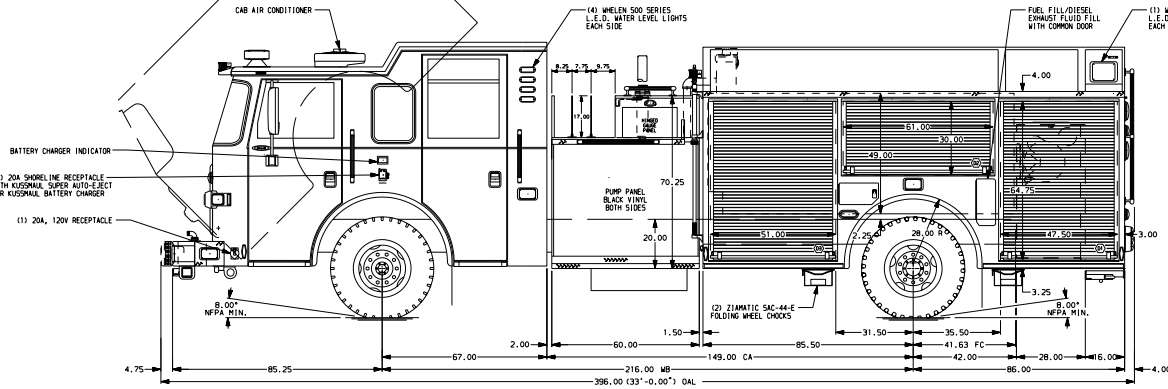


- HOSEBED CAPACITIES
- (1) 200' OF 2.50" O.D. HOSE
  - (2) 1000' OF 3.00" O.D. HOSE
  - (2) 1000' OF 5.00" O.D. HOSE
  - (1) 250' OF 1.75" O.D. HOSE



ALUMINUM BODY    MAXIMUM O.A.H. 115.00"    FRONTAL IMPACT PROTECTION    SIDE ROLL PROTECTION

**NOTE**  
 DIMENSIONS SHOWN ARE APPROXIMATE AND ARE SUBJECT TO MINOR DEVIATIONS AS MAY OCCUR OR BE NECESSARY IN CONSTRUCTION.  
 MINOR DETAILS NOT SHOWN.

1. KUSMAAL 1000 BATTERY CHARGER LOCATED IN CREW CAB SEAT RISE
2. PIERCE REAR VIEW CAMERA LOCATED PER SHOP ORDER
3. PIERCE L.E.D. COMPARTMENT LIGHT STRIPS LOCATED PER SHOP ORDER
4. PAINTED SHELF TRACKS IN ALL REAR BODY COMPARTMENTS
5. ONE FULL WIDTH/DEPTH PAINTED ADJUSTABLE SHELF IN COMPARTMENTS D1, D3, P1, P2 & P3
6. PAINTED SHELF TRACKS WITH INTEGRATED L.E.D. LIGHT UNLESS SPECIFIED
7. ALL FOLDING STEPS TO BE TRIDENT WITH INTEGRATED L.E.D. LIGHT UNLESS SPECIFIED
8. STAINLESS STEEL FINGER GRAB FRONT AND REAR
9. PIERCE LEGS NONLAPS FRONT AND REAR
10. AIR INLET WITH KUSMAAL AIR-EJECT ON D.S. PUMP PANEL

11. ONSPOT AUTOMATIC TIRE CHAINS
12. MOUNTING BRACES FOR WHEELS LOCATED PER SHOP ORDER
13. MCMON EXTRACTOR SINGLE AGENT FOAM SYSTEM
14. ONE ELECTRIC REWIND CORD REEL, 150W-17.5H IN COMPARTMENT P1
15. WITH 200' OF 1/2" CABLE AND W/HEAD JUNCTION BOX
16. ONE FULL WIDTH/DEPTH SLIDE-OUT FLOOR TRAY IN COMPARTMENTS P1 & P3
17. ONE ADJUSTABLE SLIDE-OUT TRAY IN COMPARTMENTS D1, P3 & R1; TWO IN D3
18. ONE 15A, 120V 6-PLATE RECEPTACLE STRIP LOCATED IN CAB

**CUSTOMER APPROVAL**

APPROVED BY: \_\_\_\_\_

DATE: \_\_\_\_\_

REV	DATE	BY	CH	AX6710

CHASSIS DATA

TITLE: 1750-D-1000 GAL POLY W/30 GAL FOAM CELL, 171" BODY (3) XLAYS, LADDERS THRU BODY, DELUGE, BOOSTER REEL

FOR WILLIAMS TWP. FIRE CO. #1 EASTON, PENNSYLVANIA

DWG NO. 25952AD

<b>Pierce MANUFACTURING INC.</b>		JOB NO.	25952
		SCALE	1:24
		DATE	
DRAWN BY	NPA	DATE	16MAY12
CHECKED BY	SHA	DATE	17MAY12
SHEET SIZE	D	SHEET NO.	1 of 1