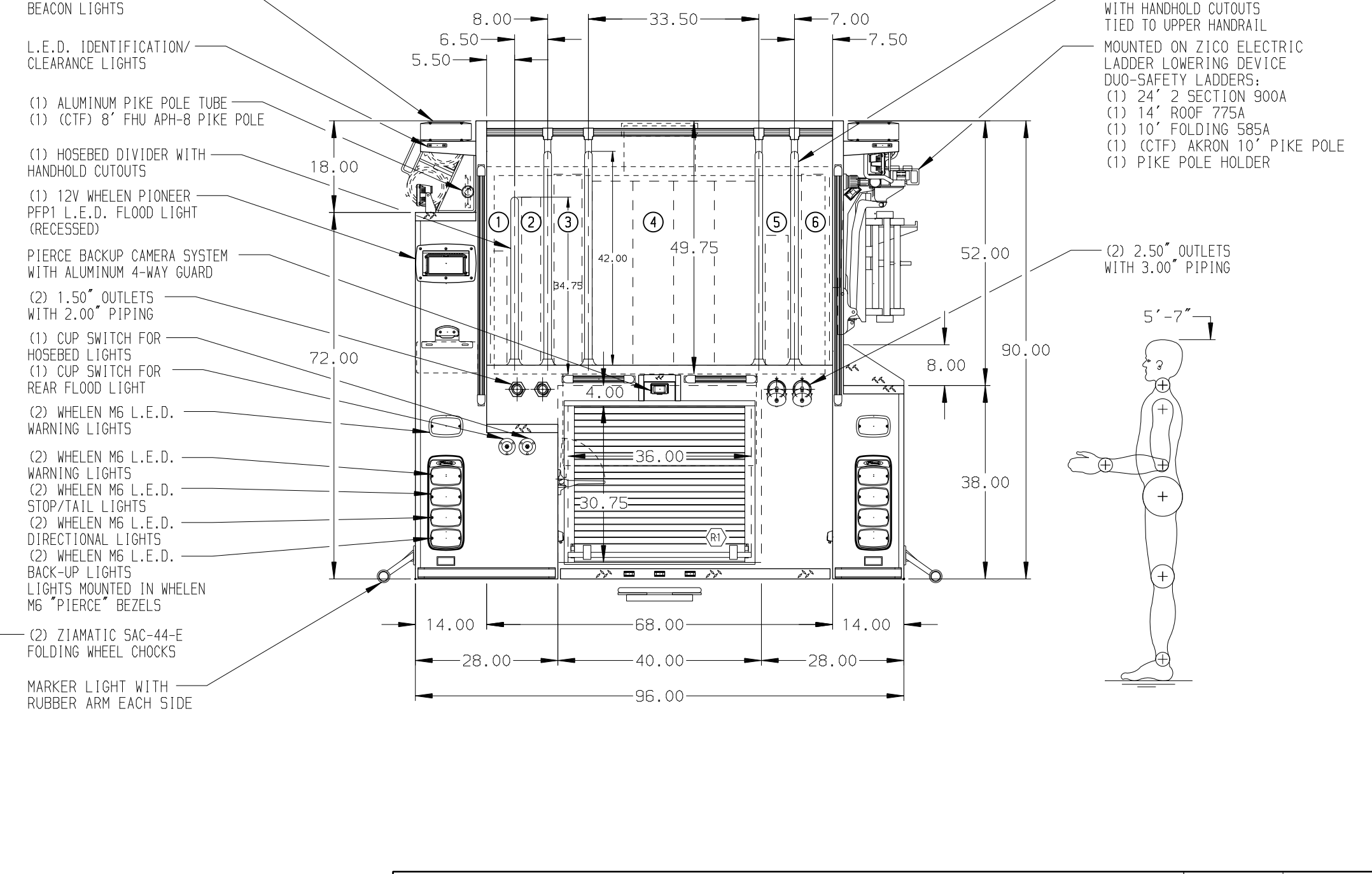
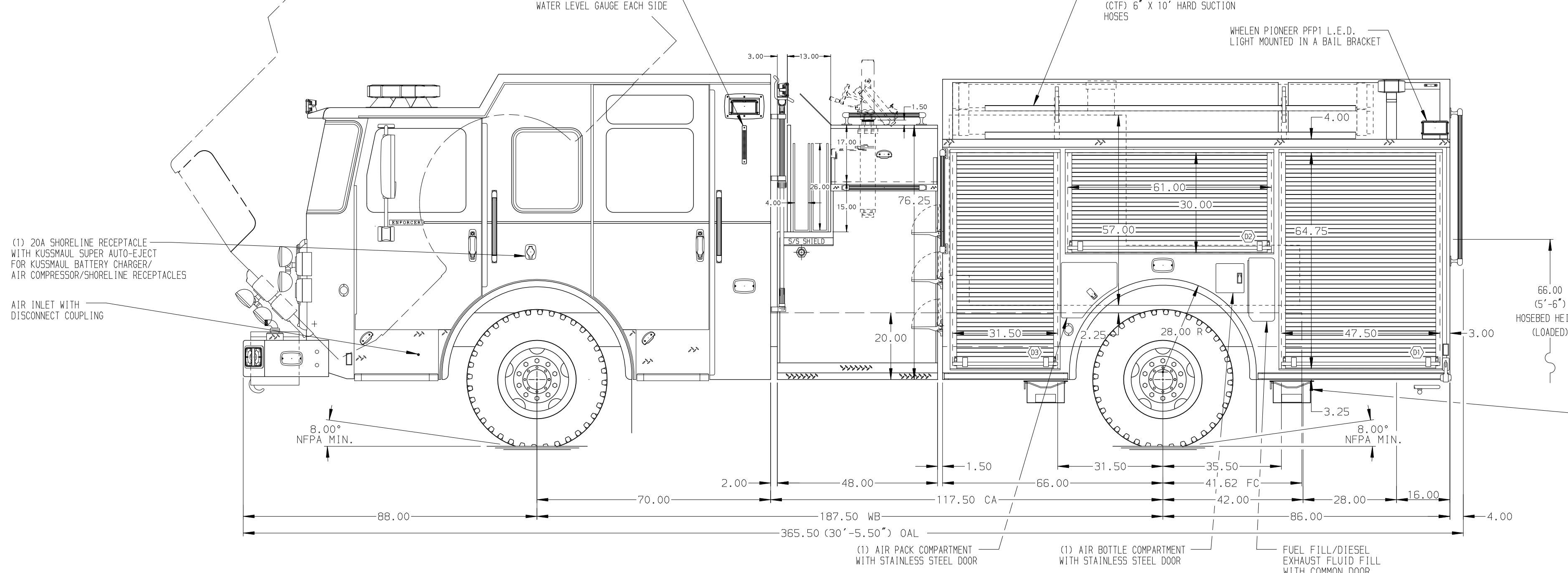


- HOSEBED CAPACITIES**
- ① 200' OF 1.75" D.J. HOSE
 - ② 300' OF 2.00" D.J. HOSE
 - ③ 300' OF 3.00" D.J. HOSE
 - ④ 1200' OF 5.00" D.J. HOSE
 - ⑤ 200' OF 2.50" D.J. HOSE
 - ⑥ 300' OF 3.00" D.J. HOSE



ALUMINUM BODY

SIDE ROLL PROTECTION

NOTE
DIMENSIONS SHOWN ARE APPROXIMATE AND ARE SUBJECT TO MINOR DEVIATIONS AS MAY OCCUR OR BE NECESSARY IN CONSTRUCTION. MINOR DETAILS NOT SHOWN.

1. PUMP PANEL DRAWING REQUIRED
2. 5/16\"/>

11. ONE FULL WIDTH ADJUSTABLE SLIDE-OUT TRAY IN COMPARTMENT D3
12. PAINTED SWING-OUT TOOL BOARD WITH PEGBOARD PATTERN IN COMPARTMENT D2
13. ALL FOLDING STEPS TO BE TRIDENT WITH INTEGRATED L.E.D. LIGHT UNLESS SPECIFIED
14. STAINLESS STEEL FENDER CROWNS FRONT AND REAR
15. PIERCE LOGO MUDFLAPS FRONT AND REAR
16. REMOVABLE FENDER LINERS
17. ADDITIONAL ADJUSTABLE HOSEBED DIVIDER TRACKS AT FRONT OF HOSEBED
18. STAINLESS STEEL SCUFFPLATES ON REAR OUTSIDE CORNERS OF BODY - FULL HEIGHT
19. FOUR 20A, 120V DUPLEX 4-PLACE RECEPTACLES IN CAB
20. MOUNTING BASES FOR ANTENNAS LOCATED PER SHOP ORDER

21. 12\"/>

REV	DATE	BY	CH	ENFORCER
09MAR15	NPA	DTS		PIERCE
09FEB15	NPA	DTS		MODEL

		JOB NO.	28502
		SCALE	DATE
TITLE	1500-D-750 GAL POLY, 152\"/>		
FOR	WEST MANCHESTER TOWNSHIP YORK, PENNSYLVANIA		
DWG NO.	28502AD		
CHECKED BY	CSH	DRAWN BY	NPA
SHEET SIZE	D	SHEET NO.	1 OF 1