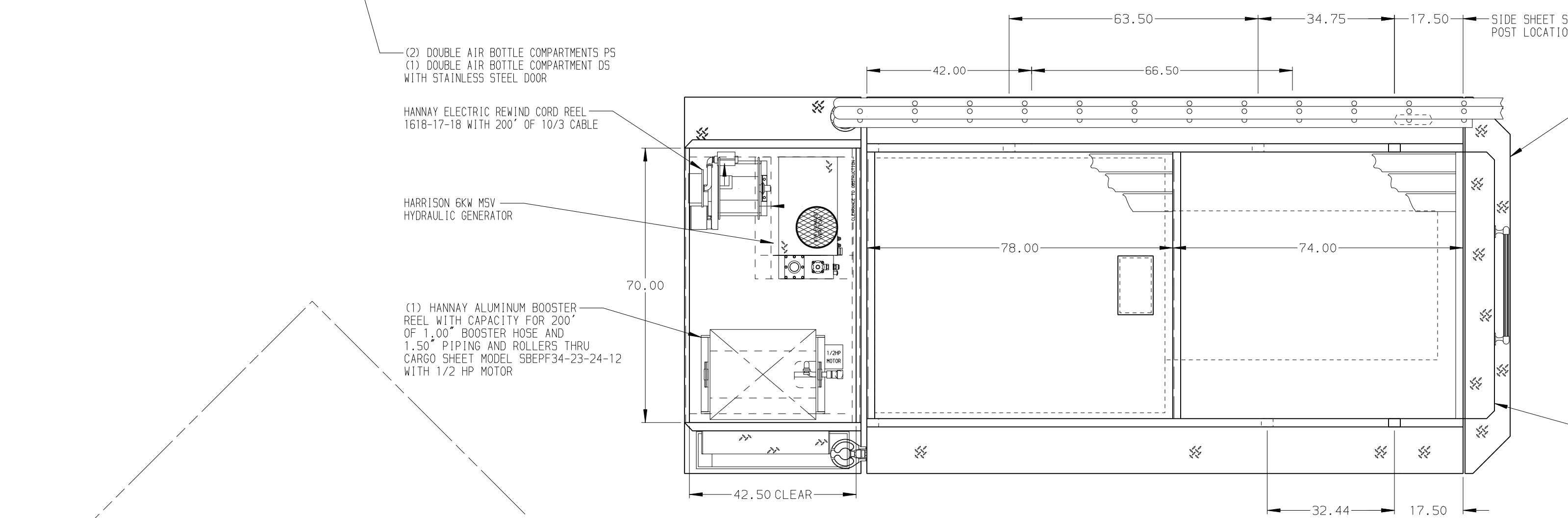
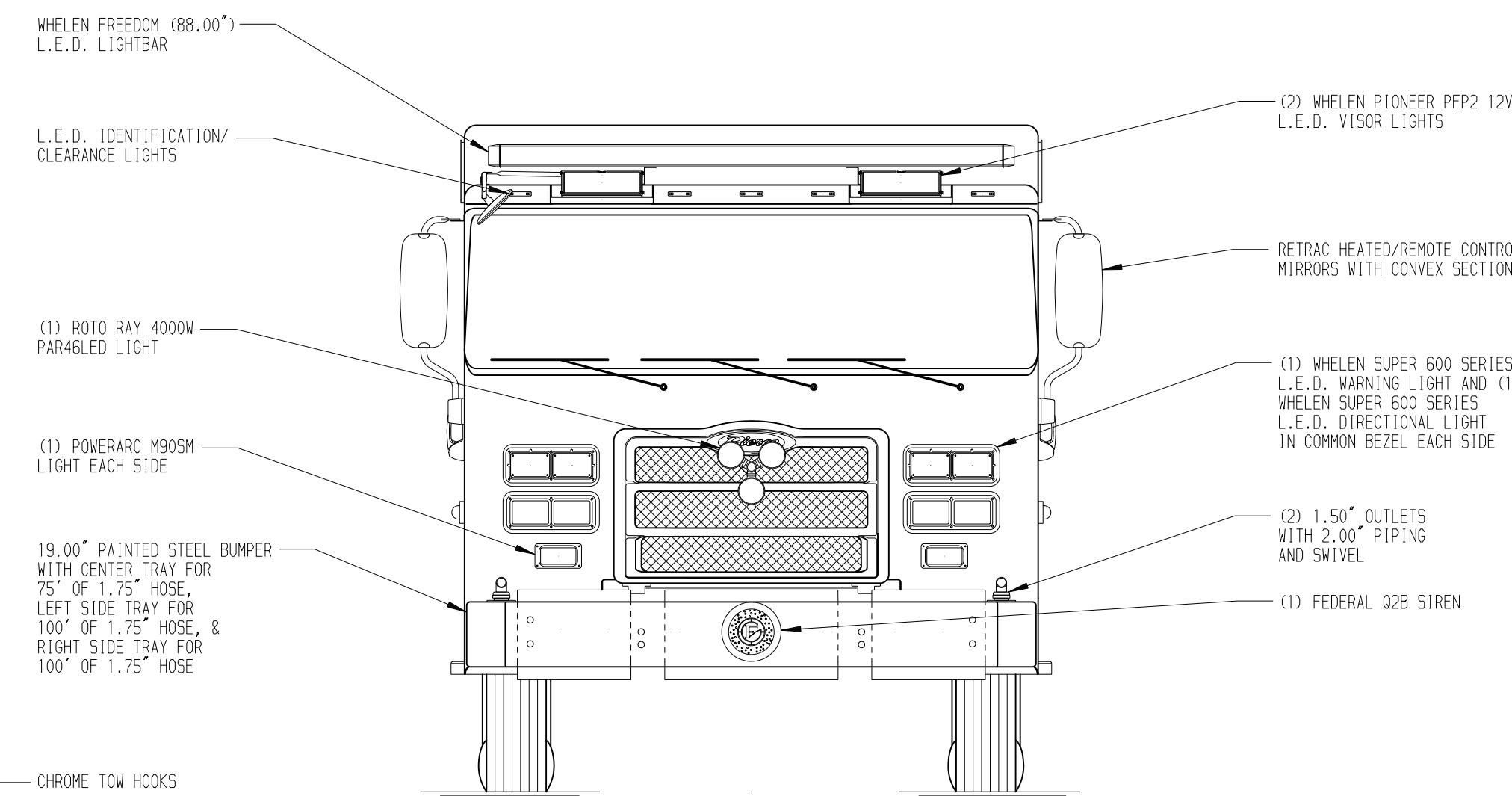
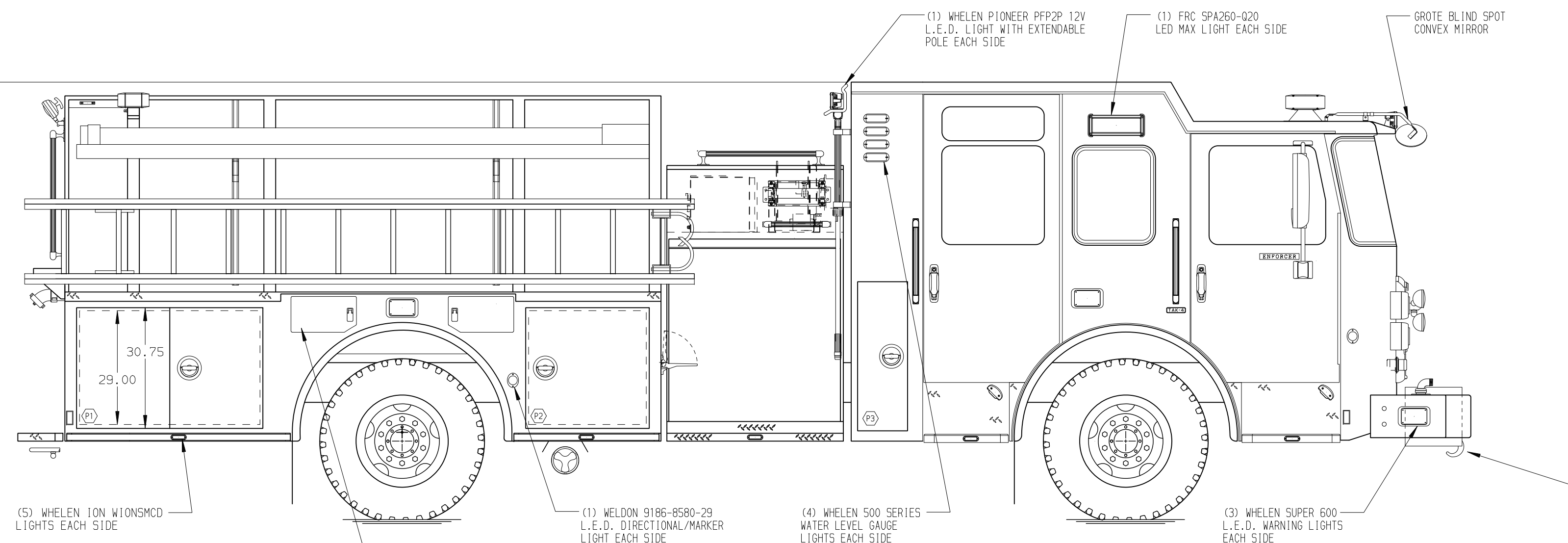
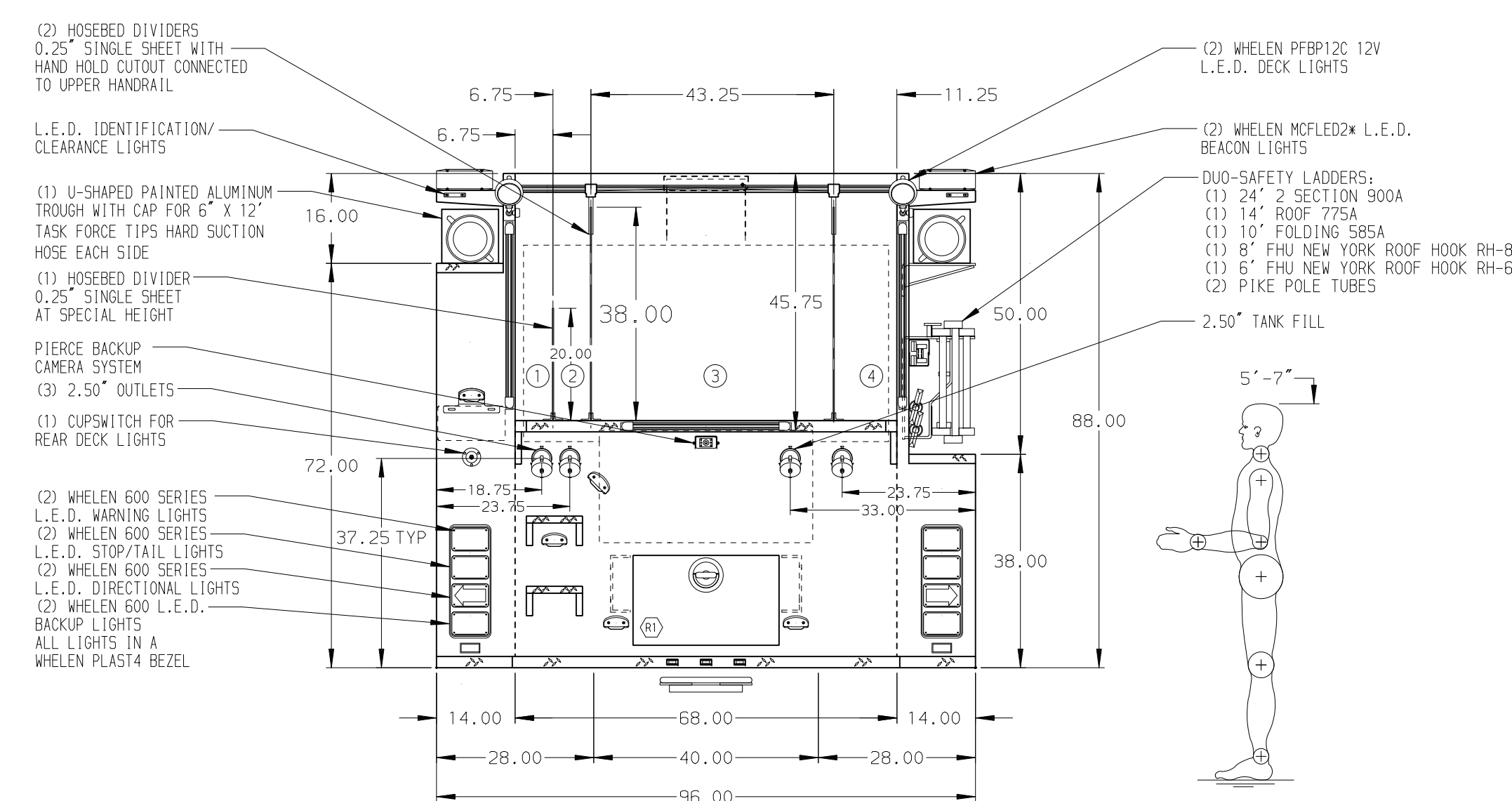
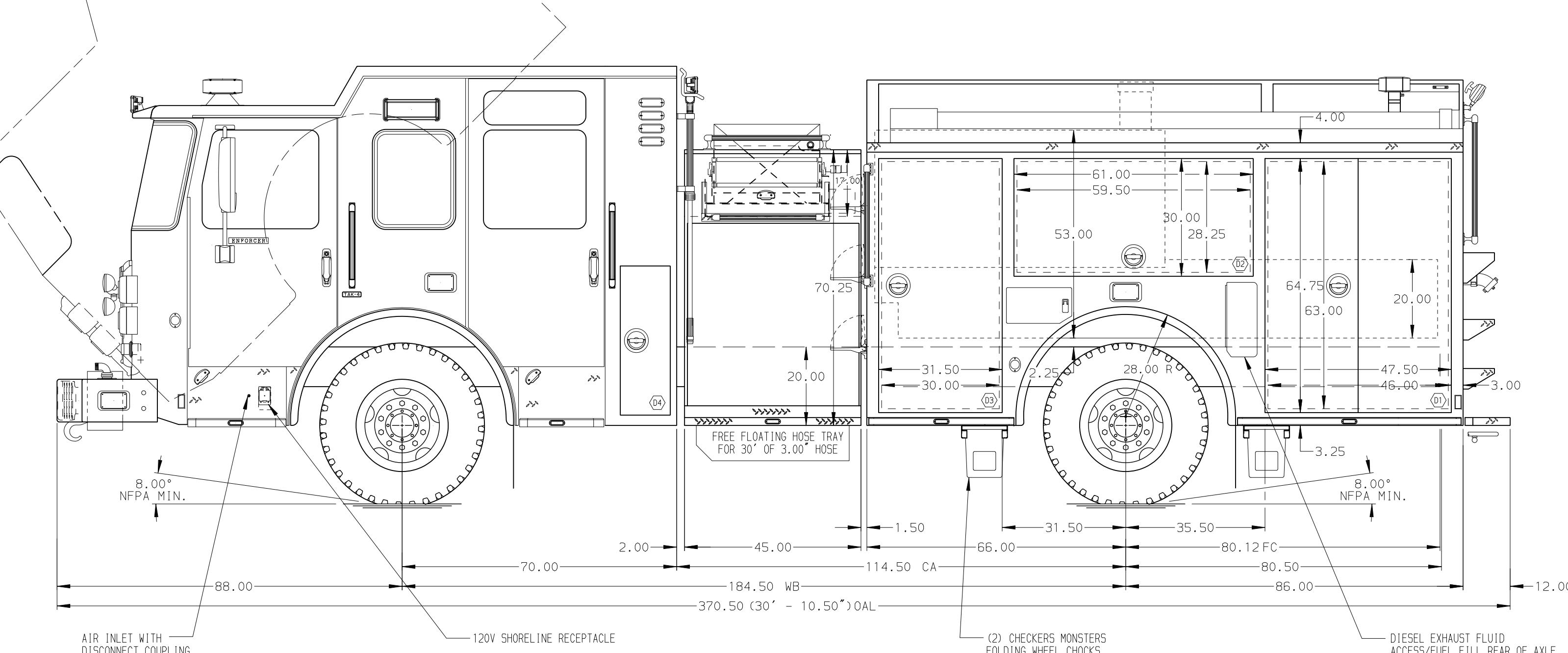


112.00
(9' - 4")
APPROX
O.A.H.



- HOSEBED CAPACITIES
- ① - 300' OF 1.75" D.J. POLY HOSE
 - ② - 300' OF 1.75" D.J. POLY HOSE
 - ③ - 1800' OF 4.00" LARGE DIAMETER MERCEDES FIRE HOSE
 - ④ - 200' OF 3.00" D.J. POLY HOSE



ALUMINUM BODY

NOTE
 DIMENSIONS SHOWN ARE APPROXIMATE AND ARE SUBJECT TO MINOR DEVIATIONS AS MAY OCCUR OR BE NECESSARY IN CONSTRUCTION.
 MINOR DETAILS NOT SHOWN.

1. ST/SL SCUFFPLATE ON EACH CAB DOOR JAMB
2. BATTERY CHARGER LOCATED BEHIND DRIVERS SEAT
3. PIERCE LOGO MUDFLAPS FRONT AND REAR
4. PERIMETER SCENE LIGHTS LOCATED PER SHOP ORDER
5. STAINLESS STEEL FENDER CROWNS FRONT AND REAR
6. PIERCE L.E.D. DUAL COMPARTMENT LIGHT STRIPS LOCATED PER SHOP ORDER
7. SHELF TRACKS LOCATED IN COMPARTMENTS D1, D2, D3, P1 & P2
8. ONE FULL WIDTH/DEPTH PAINTED ADJUSTABLE SHELF IN COMPARTMENTS D1, D2, P1 & P2, TWO IN D3
9. ONE FLOOR MOUNTED SLIDE-OUT TRAY IN COMPARTMENT P1
10. ALL FOLDING STEPS TO BE TRIDENT WITH INTEGRATED L.E.D. LIGHT UNLESS SPECIFIED
11. TWO 120V DUPLEX RECEPTABLE LOCATED IN CAB, ONE IN COMPARTMENT D1
12. STAINLESS STEEL SCUFFPLATES ON INNER DOOR PANS IN COMPARTMENT D1, D2, D3, P1 & P2
13. BATTERY CHARGER INDICATOR LOCATED ON DRIVERS SEAT RISER WITH BRACKET
14. REVERSE HINGE DOOR ON COMPARTMENT D3
15. TRUCKLITE MODEL 44 COMPARTMENT LIGHT LOCATED ON CEILING IN COMPARTMENT R1
16. GROWER TRAIN HORN LOCATED BELOW FRONT BUMPER
17. WHELEN SA31101H SPEAKER LOCATED BELOW FRONT BUMPER
18. CIRCUIT BREAKER PANEL LOCATED IN COMPARTMENT D3
19. ONE 0.25" DIVIDER SHIPPED LOOSE

CHASSIS DATA	TITLE	1750-D-1000P 152" FHF&R DS, LOW SIDE PS, NY STYLE TANK GENERATOR, BOOSTER & CABLE REEL, LADDERS MOUNTED TO SS
MAKE	FOR	BART TOWNSHIP FIRE COMPANY BART, PENNSYLVANIA
PIERCE	DWG NO.	28147AD
MODEL	REV	
ENFORCER	DATE	
	BY	
	CH	

		JOB NO.	28147
		SCALE	DATE
		DRAWN BY	COL
		CHECKED BY	CSH
		SHEET SIZE	D
		SHEET NO.	1 OF 1