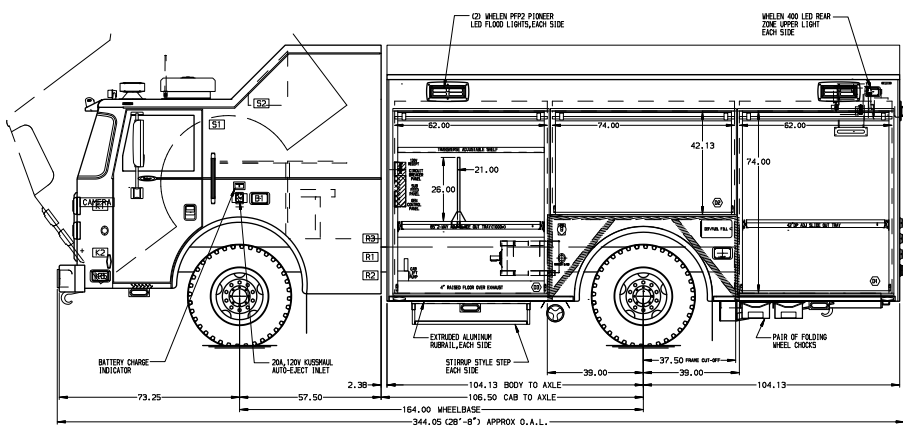
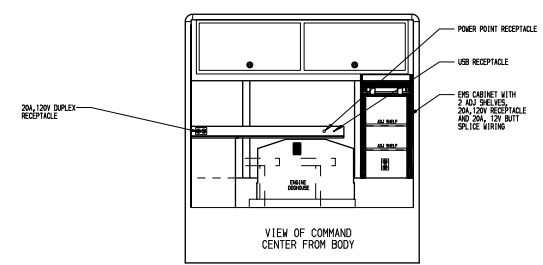
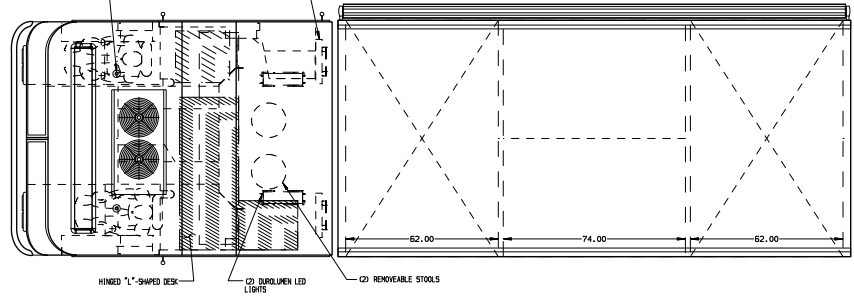
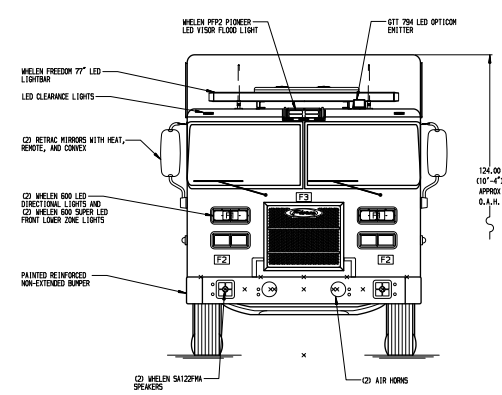
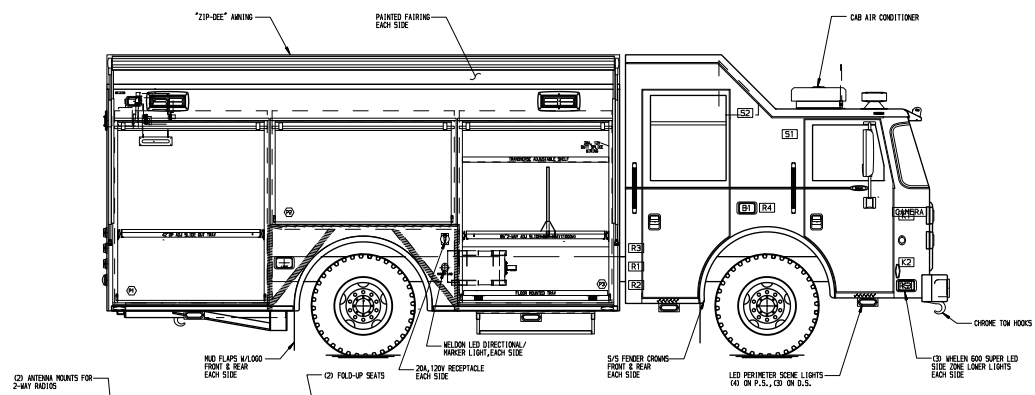


PASSENGER'S SIDE COMPARTMENTS CONTAIN THE FOLLOWING:

COMPARTMENT P1 CONTAINS:
 - (1) 42" DP ADJ SLIDE OUT TRAY
 - (1) ELECTRIC COOD REEL WITH 200' OF 12/4 CORD

COMPARTMENT P2 CONTAINS:
 - (1) VERTICAL REAR WALL DIVIDER

COMPARTMENT P3 CONTAINS:
 - (1) TRANSVERSE ADJ SHELF
 - (1) 85"-2-WAY ADJ SLIDE OUT TRAY WITH TOOLBOARDS
 - (1) FLOOR MOUNTED TRAY
 - (1) 20A, 12V BUTT SPLICE WIRING

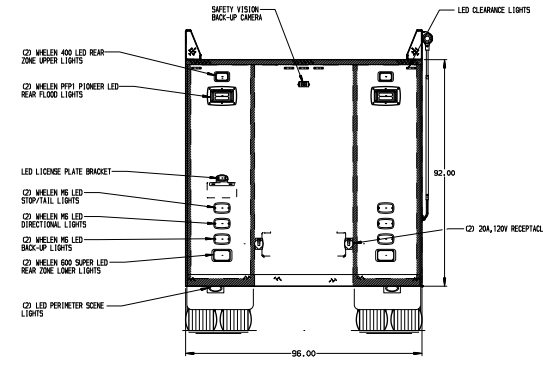


DRIVER'S SIDE COMPARTMENTS CONTAIN THE FOLLOWING:

COMPARTMENT D1 CONTAINS:
 - (1) 42" DP ADJ SLIDE OUT TRAY
 - (1) ELECTRIC COOD REEL WITH 200' OF 12/4 CORD

COMPARTMENT D2 CONTAINS:
 - (1) VERTICAL REAR WALL DIVIDER

COMPARTMENT D3 CONTAINS:
 - (1) CAB LEFT CONTROLLER
 - (1) TRANSVERSE ADJ SHELF
 - (1) 85"-2-WAY ADJ SLIDE OUT TRAY WITH TOOLBOARDS
 - (1) CIRCUIT BREAKER PANEL
 - (1) GENERATOR METER PANEL
 - (1) 20A, 120V DUPLEX RECEPTACLE
 - (1) SUB FEED BREAKER PANEL



NOTE: DIMENSIONS SHOWN ARE APPROXIMATE AND ARE SUBJECT TO MINOR DEVIATIONS AS MAY OCCUR OR BE NECESSARY IN CONSTRUCTION. MINOR DETAILS NOT SHOWN.

- NOTES:
- ONSPOT AUTOMATIC TIRE CHAINS
 - AIR INLET WITH DISCONNECT COUPLING LOCATED IN THE DRIVER'S SIDE LOWER STEP WELL OF CAB
 - FLOOR IN CAB AND COMMAND CAB TO BE PADDED RUBBER
 - OVERSIZED PUMP PLUS 1200 CHARGER LOCATED BEHIND THE DRIVER'S SEAT
 - JUMPER STUDS LOCATED ON DRIVER'S CAB STEP
 - PIERCE BULL LED LIGHTS IN EACH BODY COMPARTMENT
 - 200W 250W SINGLE PHASE PFD DRIVEN GENERATOR LOCATED BETWEEN THE FRAME RAILS

MAXIMUM O.A.H. 10'-4"

REV	DATE	BY	CHK	DESCRIPTION
1				
2				
3				

CHASSIS DATA		TITLE	JOB NO.
1000A14	CSU AZU	ENCORE RESCUE VEHICLE	27805
1000A14	DNE JCO	62.74.62	
2100A14	DNE AZU	BETHLEHEM CITY FIRE DEPARTMENT	
		BETHLEHEM, PA	
		DWG NO.	27805AD

SCALE	DATE
1:24	06MAR14
DRAWN BY	CHECKED BY
DHE	AZU
SHEET SIZE	SHEET NO.
D	1 of 1