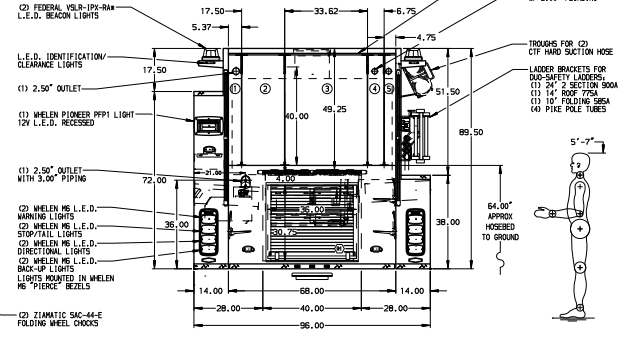
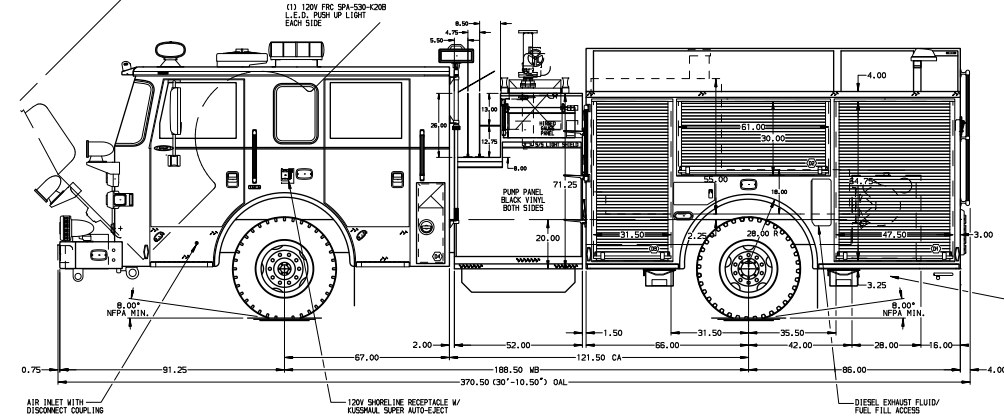


- HOSEBED CAPACITIES
- ① 300' OF 2.50" D.J. POLY HOSE
 - ② 700' OF 3.00" D.J. POLY HOSE
 - ③ 1300' OF 5.00" D.J. POLY HOSE
 - ④ 400' OF 1.75" D.J. POLY HOSE
 - ⑤ 300' OF 1.75" D.J. POLY HOSE



ALUMINUM BODY

MAXIMUM O.A.L. 372.00"

MAXIMUM O.A.H. 116.00"

NOTE
DIMENSIONS SHOWN ARE APPROXIMATE AND ARE SUBJECT TO MINOR DEVIATIONS AS MAY OCCUR OR BE NECESSARY IN CONSTRUCTION.
MINOR DETAILS NOT SHOWN.

1. ONSPOT AUTOMATIC TIRE CHAINS TO BE PROVIDED AT REAR
2. 5/16" SCUFFPLATE ON EACH CAB DOOR JAMB
3. 5/16" SCUFFPLATE ON REAR OUTER CORNERS OF CAB
4. MOUNTING BASES FOR ANTENNAS LOCATED PER SHOP ORDER
5. BATTERY CHARGER LOCATED BEHIND DRIVER'S SEAT
6. BATTERY CHARGE INDICATOR LOCATED ON D.S. SEAT RISER WITH BRACKET
8. SUB-FREED CIRCUIT BREAKER PANEL IN COMPARTMENT D3
9. L.E.D. PERIMETER SCENE LIGHTS LOCATED PER SHOP ORDER 10. 5/8" TIE RODS FRONT AND REAR
11. ON SCENE L.E.D. COMPARTMENT LIGHTS IN EACH BODY COMPARTMENT
12. SHELF TRACKS IN EACH BODY COMPARTMENT
13. ONE FULL WIDTH/DEPTH PAINTED ADJUSTABLE SHELF IN COMPARTMENTS D1, D2, D3, & P2
14. ONE ADJUSTABLE 3/16" OUT TRAY IN COMPARTMENT D3
15. PARTITION BETWEEN COMPARTMENTS D1/R1 AND P1/R1
16. CIRCUIT BREAKER PANEL IN COMPARTMENT C3
17. ONE HANNAY ELECTRIC REMIND CORD REEL MODEL 1618-17-18 LOCATED IN R1 WITH 200' OF 1/2" CORD
18. PIERCE LOAD HOOKS/FPS FRONT AND REAR
19. ALUMINUM FLOORING LOCATED ON THE REAR WALL OF COMPARTMENTS D1 & D3
20. ONE 120V DUPLEX RECEPTACLE LOCATED IN COMPARTMENT P1, AND TWO LOCATED IN CAB
21. DUAL L.E.D. LIGHT STRIPS LOCATED ON SIDES OF HOSEBED
22. TRIM FOR ROLL UP DOOR ON R1 TO BE PAINTED

CUSTOMER APPROVAL

APPROVED BY:	
DATE:	
CHASSIS DATA	
MAKE	
MODEL	
DWG NO.	
AXT6700	

Pierce MANUFACTURING INC.

JOB NO. 26565

SCALE 1:24 DATE

DRWN BY COL 18DEC12

CHECKED BY CSH 18DEC12

SHEET SIZE D SHEET NO. 1 of 1

TITLE 1500-D-750 GAL POLY, NY STYLE HOSEBED, 152" BODY (2) XLAYS, (1) DEADLAY, GENERATOR, BOOSTER REEL

FOR NEWPORT FIRE COMPANY # 1 NEWPORT, PENNSYLVANIA

DWG NO. 26565AD