

058078 LIGHT, WHEEL, 12V PPI1 PIONEER LED FLOOD LIGHT, P/N 1505, RECEIVED 15 06G, 1ST

054076 L LIGHTS, 5116, WHELEN KHWLED, COLORED LENS

000218 HUBBARD, VEL VAC 2010, WEST COAST STYLE, HEATED, REMOTE 012200 HUBBARD, 8 ROUND CONVEX

055571 BUMPER, 1" EXTENDED STEEL, PAINTED, 5/8" X 3" 010255 TWIN HOSE CENTER, 19" BUMPER FOR 100' OF 1.75" HOSE

054885 TWIN HOSES, 4" X 10" W/100' CHICAGO STYLE, TOP OF DECK

055180 SPEAKER, WHELEN SAS150, 100 WATT 054845Z LOCKDOWN, RECESSED IN THE FRONT BUMPER, DRIVER AND PASSENGER SIDE

055622 AIR HORN, C20 BLOWER IN BUMPER OUTSIDE FRAME

054088 L LIGHTS, SIDE ZONE LIGHTS, WHELEN P/N 40, COLORED LENS 3"R OR 2.5"

0590129 LIGHT, 1150P, WHELEN, 12V PPI1 PIONEER LED FLOOD LT, 1ST

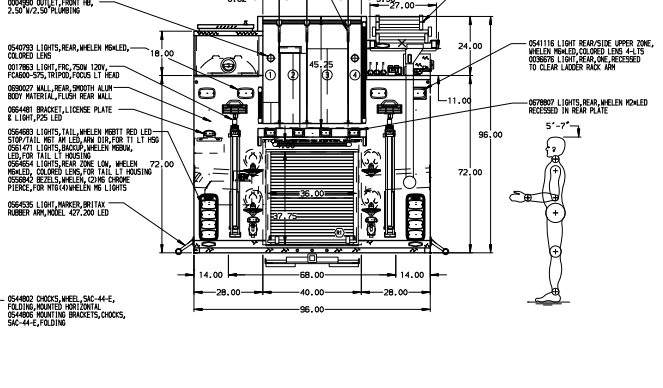
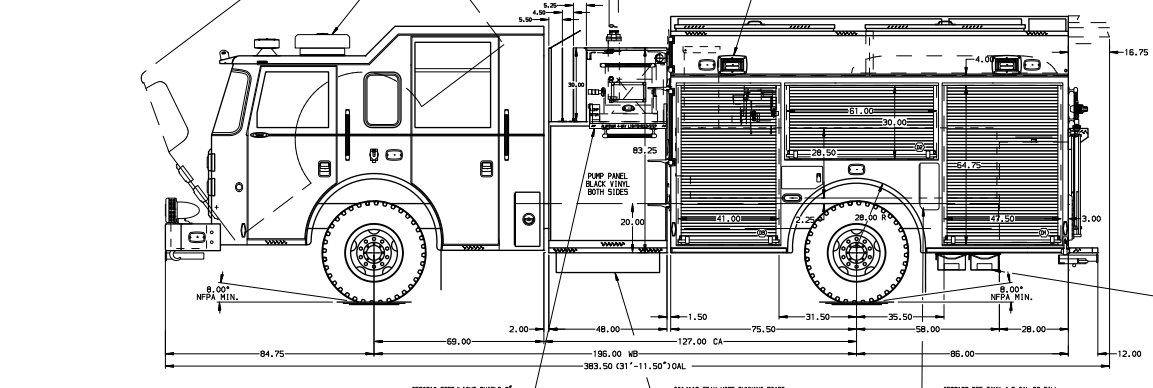
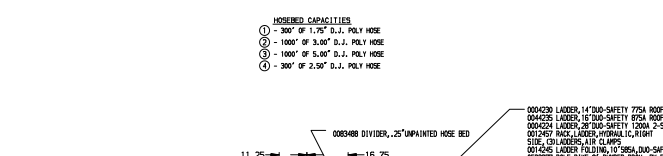
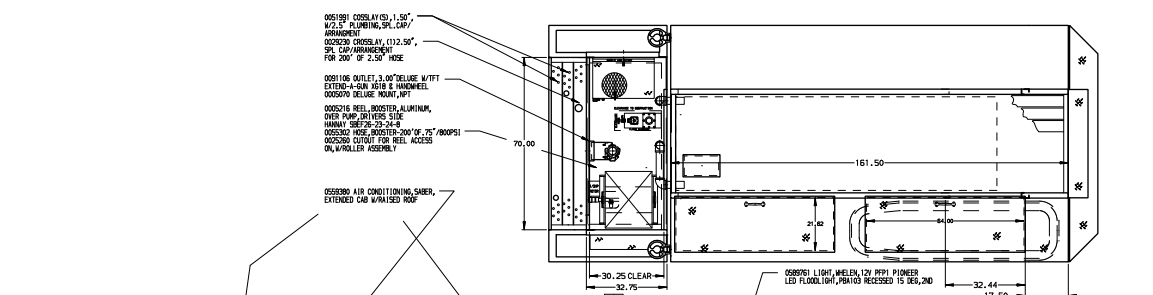
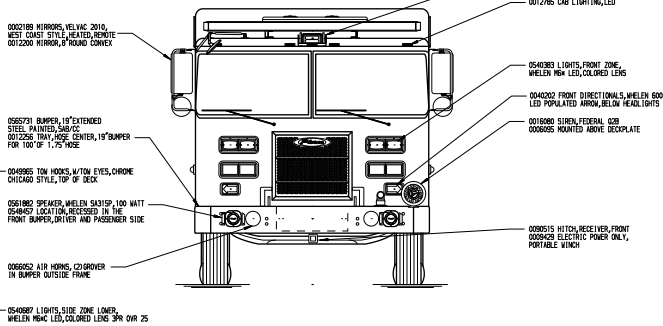
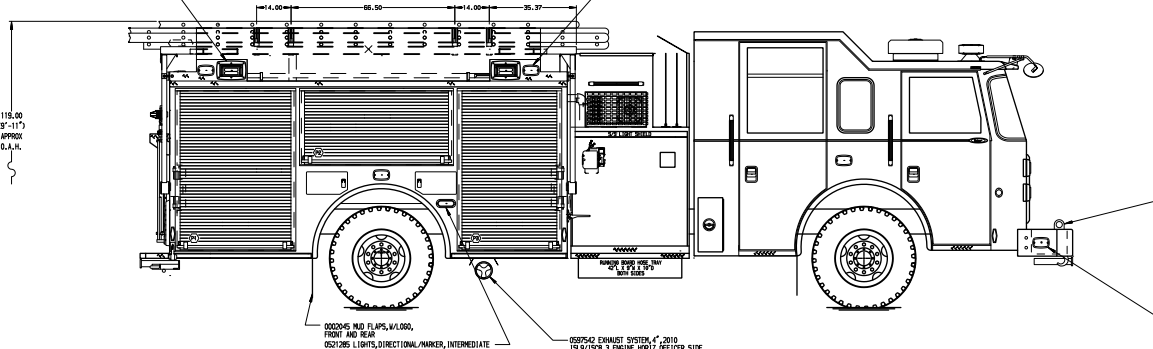
0012785 CAB LIGHTING, LED

054088 L LIGHTS, FRONT ZONE, WHELEN P/N 40, COLORED LENS

054040D FRONT DIRECTIONALS, WHELEN LED, P/N 40, 180 DEGREE, BELOW HEAD LIGHTS

0015080 SIGN, FEDERAL 028 005625 MOUNTED ABOVE DECKPLATE

0009315 HITCH, RECEIVER, FRONT 000930 ELECTRIC POWER ONLY, PORTABLE STICK



ALUMINUM BODY

MAXIMUM O.A.L. 384"

MAXIMUM O.A.H. 120"

NOTE  
DIMENSIONS SHOWN ARE APPROXIMATE AND ARE SUBJECT TO MINOR DEVIATIONS AS MAY OCCUR OR BE NECESSARY IN CONSTRUCTION. MINOR DETAILS NOT SHOWN.

CHASSIS DATA				TITLE	JOB NO.	26796
✓	12SEP13	DTA	09C	1250-D-500P GALLON WATER TANK, 161" BODY, FH&D F8R (3) XLAYS, DELUGE, GENERATOR, REEL, HYD LDR RACK, STOKES	SCALE	1:24
✓	16JAN13	DTA	BVR	FOR BENSLEM TOWNSHIP FIRE RESCUE DEPARTMENT BENSLEM, PENNSYLVANIA	DATE	01JUN13
✓	07JAN13	AMI	CSH	DWG NO.	DESIGNED BY	CSH
REV	DATE	BY	CH	SAB6912	DWG NO.	26796AD
					SHEET SIZE	SHEET NO. 1 of 1