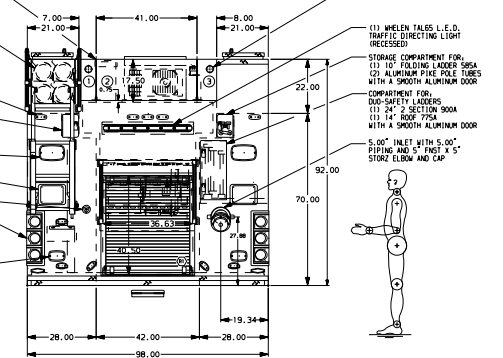
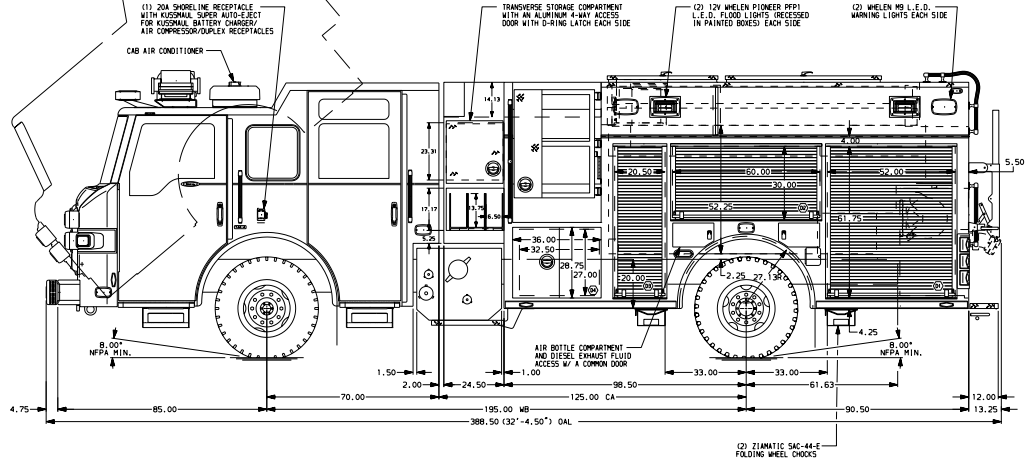


- HOSEBED CAPACITIES
- ① 200' OF 2.50" O.D.J. HOSE
  - ② 1000' OF 5.00" O.D.J. HOSE
  - ③ 200' OF 3.00" O.D.J. HOSE



ALUMINUM BODY

NOTE  
DIMENSIONS SHOWN ARE APPROXIMATE AND ARE SUBJECT TO MINOR DEVIATIONS AS MAY OCCUR OR BE NECESSARY IN CONSTRUCTION.  
MINOR DETAILS NOT SHOWN.

1. 5/8" S/S SOUFFLATE ON EACH CAB DOOR JAMB
2. MOUNTING BASES FOR ANTENNAS LOCATED PER SHOP ORDER
3. KUSSALM 1200 BATTERY CHARGER LOCATED BEHIND DRIVER'S SEAT
4. BATTERY CHARGE INDICATOR MOUNTED ON DRIVER SIDE SEAT RISER
5. PERIPHER SCENE LIGHTS LOCATED PER SHOP ORDER
6. PIERCE L.E.D. COMPARTMENT DUAL LIGHT STRIPS LOCATED PER SHOP ORDER
7. ONE ADJUSTABLE FULL WIDTH/FULL DEPTH SHELF IN COMPARTMENTS P1 & R1; TWO IN D1 & R3
8. ONE PAINTED FLOOR MOUNTED SLIDE-OUT TRAY IN COMPARTMENTS D1, D3, P1 & R1
9. ONE SWING-OUT ALUMINUM TOOL BOARD IN COMPARTMENT D2
10. ONE ALUMINUM SLIDE-OUT TOOL BOARD IN COMPARTMENT D3
11. ONE VERTICAL BOLT-IN PARTITION BETWEEN COMPARTMENTS D1-R1 & P1-R1
12. ALUMINUM REGRAB WITH TRACKS IN COMPARTMENTS D2, P2 & R3
13. ONE PERMANENTLY MOUNTED SHELF IN COMPARTMENT D3
14. CIRCUIT BREAKER PANEL IN COMPARTMENT D3
15. STAINLESS STEEL FENDER CROWD FRONT AND REAR
16. PIERCE LED HEADLAMP FRONT AND REAR
17. AIR INLET WITH DISCONNECT COUPLING LOCATED IN DS STEP WELL
18. AIR OUTLET WITH SHUT OFF VALVE LOCATED ON DS PUMP PANEL
19. RFD AUTOMATIC TIRE CHAINING
20. KUSSALM AIR COMPRESSOR LOCATED IN CREW CAB SEAT RISER
21. FOUR WHEEL 2.00" L.E.D. LIGHTS IN HOSEBED
22. ONE HANDBY ELECTRIC BRAINE CABLE REEL 10-18-17-18 WITH 200' OF 10/3 CABLE, WOODHEAD JUNCTION BOX, AND 5/8" HOLDER IN COMPARTMENT R1
23. TWO 15A, 120V DUPLEX RECEPTABLES LOCATED IN CAB

**CUSTOMER APPROVAL**

APPROVED BY: \_\_\_\_\_

DATE: \_\_\_\_\_

REV	DATE	BY	CH	VELOCITY

		JOB NO.	26339
		SCALE	1:24
CHASSIS DATA	TITLE	DRWN BY	DATE
1500-D-1000 GAL, 189" PUC RESCUE BODY, TOP MOUNT	(3) XLAYS, LADDERS THRU BODY, DELUGE, GENERATOR	NPA	24SEP12
FOR CONTINENTAL FIRE COMPANY #3 DANVILLE, PENNSYLVANIA		CSH	24SEP12
DWG NO.	26339AD	SHEET SIZE	SHEET NO.
		D	1 of 1