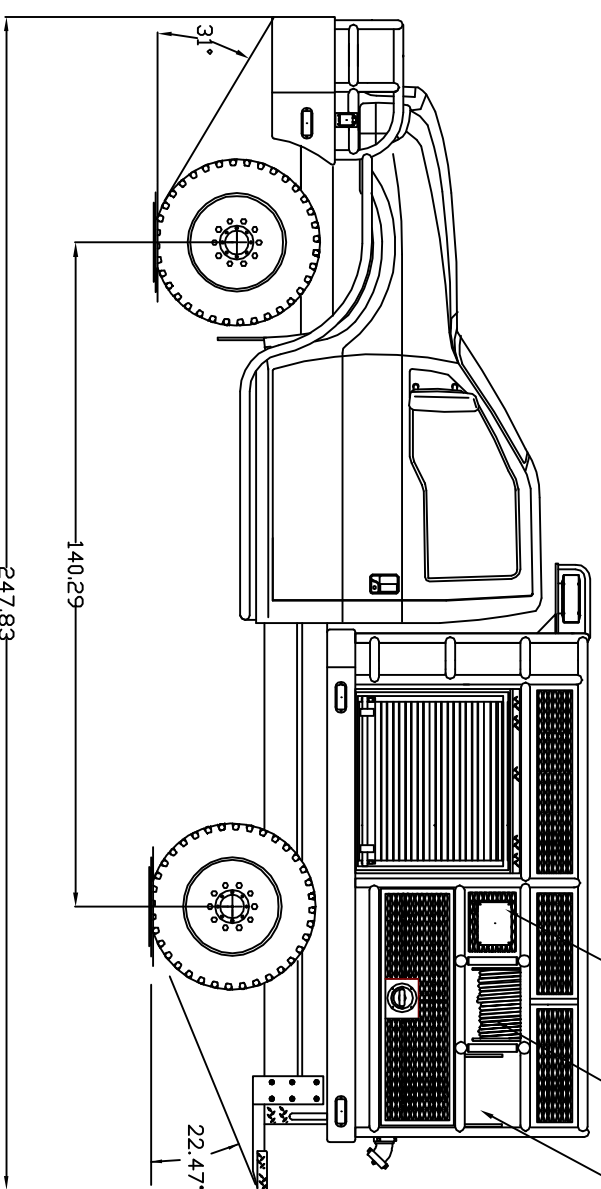


THREE WHELEN 5-E LIGHTS ON EACH SIDE

ONE WHELEN SCENE LIGHT ON EACH SIDE AND AT REAR

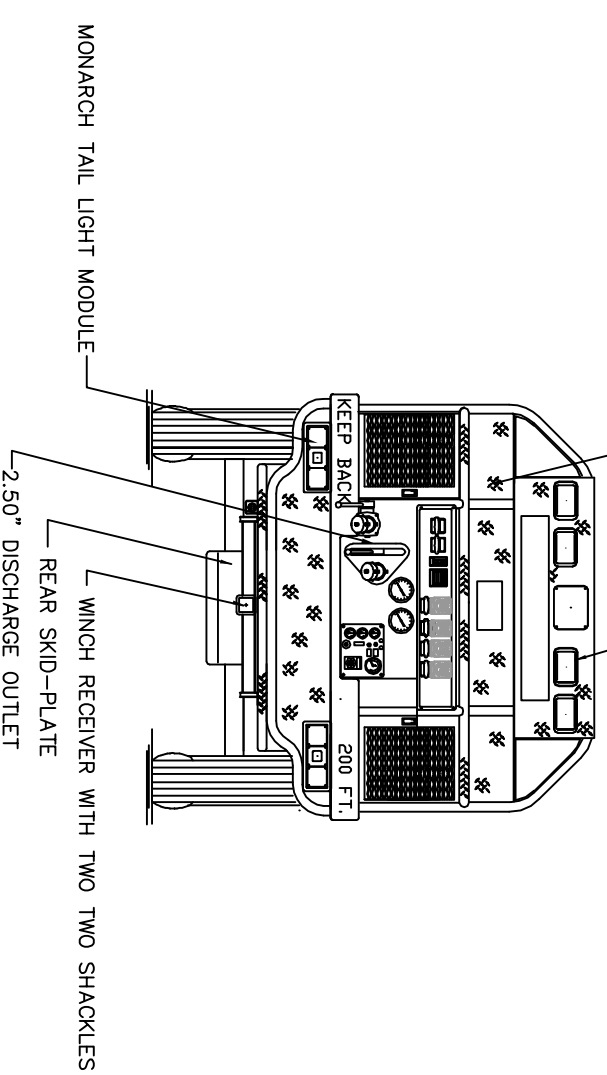
ONE HANNAY BOOSTER REEL ON EACH SIDE WITH ROLLERS ON EACH SIDE OF REELS

CROSSLAYS FOR 100 FT. OF 1.75" HOSE



LIFT UP ACCESS PANEL

FOUR L.E.D. REAR WARNING LIGHTS



NOTE
THIS DRAWING IS CONCEPTUAL AND IS NOT AN EXACT REPRESENTATION OF THE TRUCK DRAWN. DIMENSIONS SHOWN ARE APPROXIMATE AND ARE SUBJECT TO DEVIATION AS MAY OCCUR OR BE NECESSARY IN CONSTRUCTION. SOME DETAILS NOT SHOWN.

400 GALLON POLY-TANK
DEUTZ 60 H.P. ENGINE WITH HALE PUMP
AVAILABLE IN 2 DOOR, SUPER CAB & 4 DOOR MODELS

Pennwaltic MANUFACTURING

| | | | |
|--------------|---------------------------------|----------|-----------|
| CHASSIS DATA | TITLE | JOB NO. | 107 |
| FURD | B.R.A.T. WILDLAND PUMPER | DATE | MAR. 2008 |
| MODEL | FOR PENNSYLVANIA STATE CONTRACT | DRAWN BY | E. ROSINI |
| F-550 | | | |